

Enclosures

Hinges

Locks

Handles

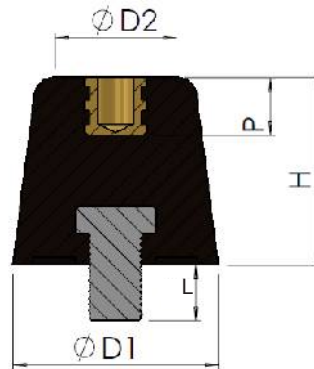
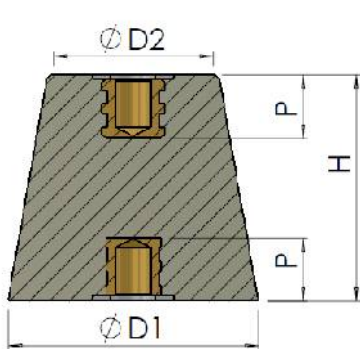
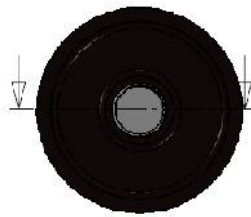
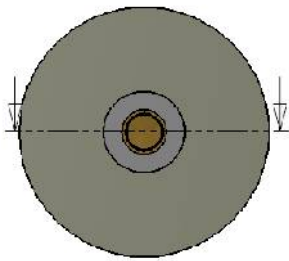
Accessories

Rotary Operating  
Handles

Insulators

Transformer  
Equipment

Index



PART NUMBER	TYPE & THREAD SIZE	HEIGHT H	DIAMETER D1	DIAMETER D2	STUD LENGTH L	INSERT DEPTH P	UNIT MASS	STD PACK
050-022	SM-1000	55	60	42	12	12	260g	50
050-023	SM-2000	60	72	50	-	12	390	50
050-024	SM-2000 M12	60	72	50	-	16	390	50