

## Indication Only Thermometers



Part Number	Description	Range (°C)
021-002	Thermometer BM80	0 to 120
021-003	Thermometer BM100)	0 to 120

## Thermometers with Contacts (for Telemetry)



Part Number	Description	Range (°C)	No. of Contacts	Type of Contact	Bulb Type
021-012	Thermometer F035-AKM Bi Metal 2C	0 to 120	2	Change Over	Direct Mount
021-005	Thermometer 1184	0 to 120	2	Normally Open	Direct Mount
47080-4-1	Contact Thermometer Cable Entry 46611,46948-1	0 to 120	2	Normally Open	Direct Mount
021-008	Thermometer MTVT 84	0 to 120	2	Change Over	Direct Mount
021-006	Thermometer 1187	0 to 120	2	Normally Open	1.5m Capillary
021-018	Thermometer 1187-T Spring mounted	0 to 120	2	Normally Open	1.5m Capillary
021-019	Thermometer 1187 3.0M 2 CO S/MNT	0 to 120	2	Change Over	3.0m Capillary
021-020	Thermometer 1187 6.0M 2CO S/MNT	0 to 120	2	Change Over	6.0m Capillary

Enclosures

Hinges

Locks

Handles

Accessories

Rotary Operating Handles

Insulators

Transformer Equipment

Index

Enclosures

Hinges

Locks

Handles

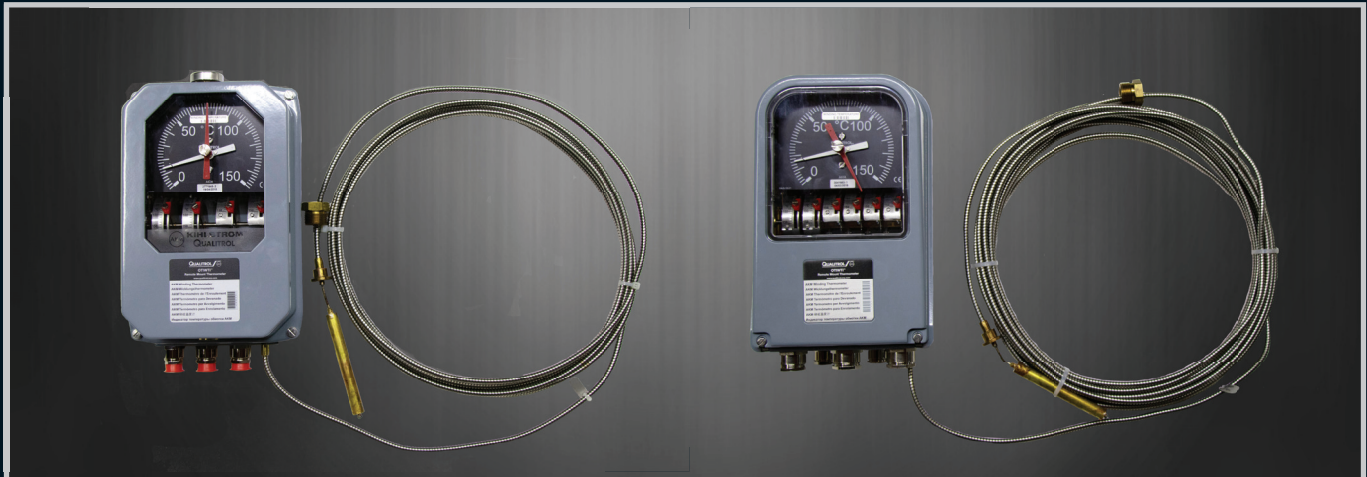
Accessories

Rotary Operating  
Handles

Insulators

Transformer  
Equipment

Index



We stock different variations of the oil & winding temperature thermometers. The configurations are shown below, others are available on request.

- 1) Capillary length, where 6 & 12 meters are the standard.
- 2) Number of contacts, where 2 and 4 are the standard. \*up to 6 available on request.
- 3) TD50 Matching Resistance for WTi's.
- 4) Remote outputs: The TD111 & TD66 are standard outputs.

If your requirements do not match our standard configuration, kindly request a OTiWTi configuration form from your Sales Representative.

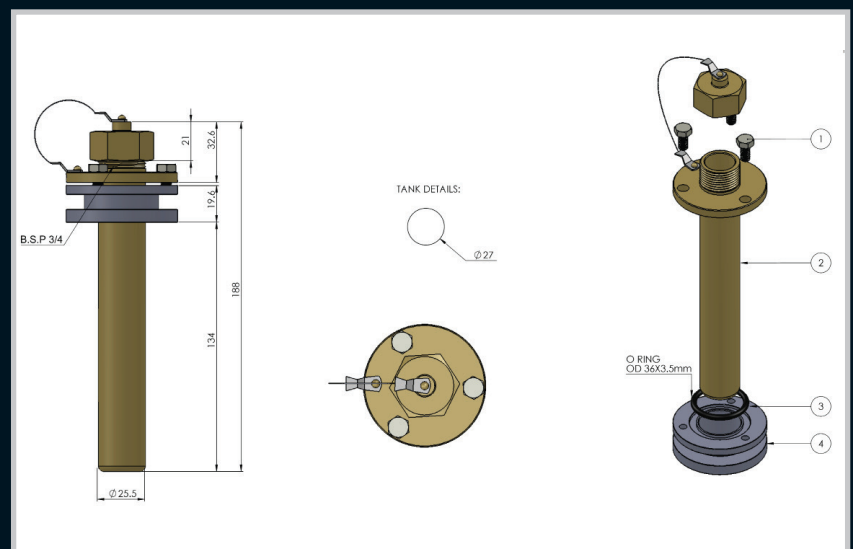
Description	Range (°C)	No. of Contacts	Type of Contact	Bulb Type
Thermometer F036-AKM Oti 2C 5M	0 to 120	2	Change Over	5m Capillary
Thermometer F036-AKM Wti 2C 5M	0 to 120	2	Change Over	5m Capillary
Thermometer F036-AKM Oti 4C 12M	0 to 120	4	Change Over	12m Capillary
Thermometer F036-AKM Wti 4C 12M	0 to 120	4	Change Over	12m Capillary

## Pocket Housing and Boss Assembly



### Remarks:

Suggested tank hole size 27mm Diameter.



Part Number	Description
021-001	Temperature Pocket Housing and Boss