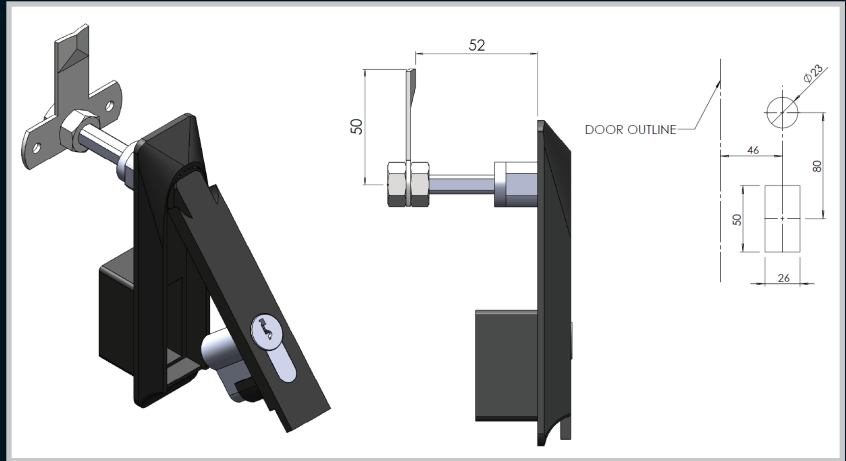


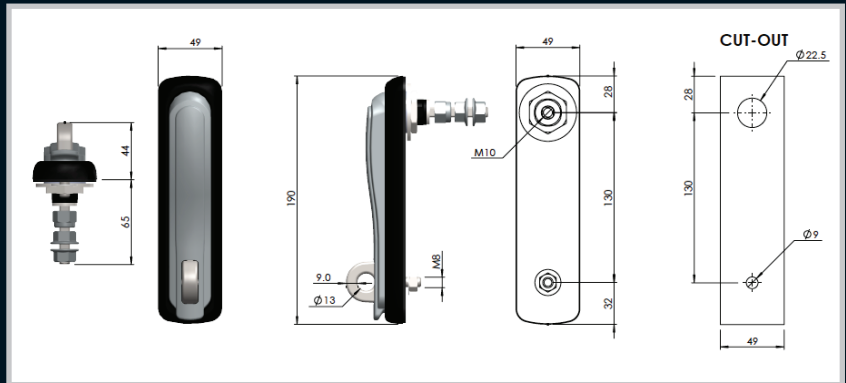


Remarks:

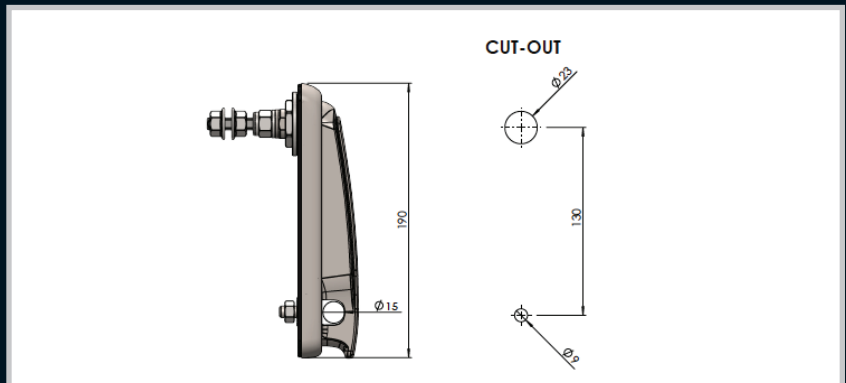
Available in 4 finishes, black base with black handle, black base with chrome handle, complete chrome, stainless steel.



Part Number	Description
10111KZK190	ZDC body with M/S cam shaft
10111KZK191	ZDC body with M/S cam shaft
10111KZK192	ZDC body with M/S cam shaft
10111KZK193	ZDC body with M/S cam shaft
10111KZK194	ZDC body with M/S cam shaft
10111KZK195	ZDC body with M/S cam shaft



Part Number	Description
10333PBC-HD	Push padlockable swing handle ,black base, chrome handle
10333PC-HD	Push padlockable swing handle , chrome base and handle



Part Number	Description
10444PS/SHD	Padlockable Heavy Duty Swing Handle, Stainless Steel

Enclosures

Hinges

Locks

Handles

Accessories

Rotary Operating Handles

Insulators

Transformer Equipment

Index

Enclosures

Hinges

Locks

Handles

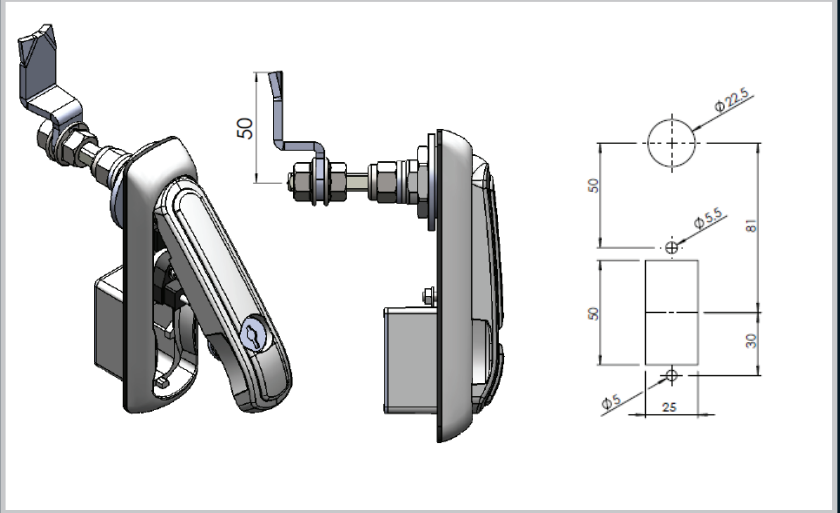
Accessories

Rotary Operating Handles

Insulators

Transformer Equipment

Index



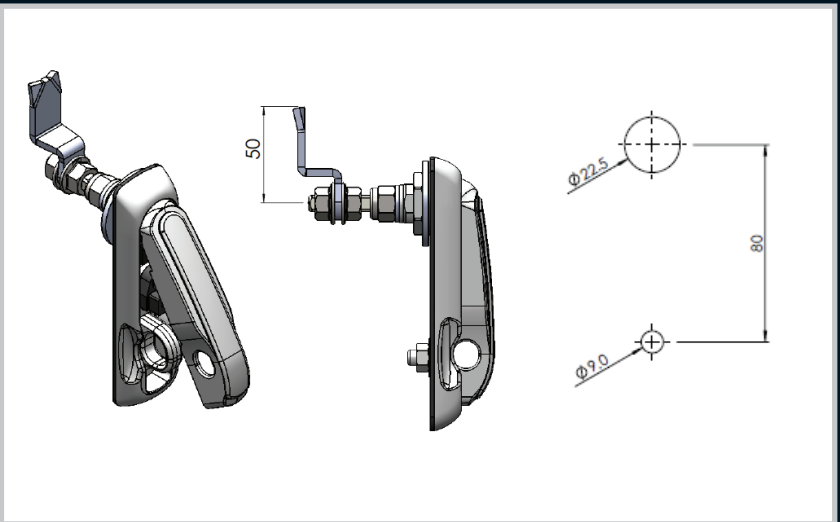
Remarks:

AKIRA LOCKING SWING HANDLES

- Quality chrome plated and superior 316 grade stainless steel models available.
- Standard 92268 and CL001 barrel types.
- Half-Euro cylinder types in 92268 & CL001 key.
- Sleek, modern styling.
- Smooth, user friendly operation with snap shut Anti-tamper and Anti-vibration system
- These swing handles are supplied without a cam. The recommended cam is CAM08M/S8COMP.

Part Number	Description
10222KC/CL001	Chrome swing handle locking with standard CL001 barrel
10222KC/92268	Chrome swing handle locking with standard 92268 barrel
10222KSSHEC	316 Stainless steel swing handle locking with Half-Euro cylinder Key 92268 and CL001 available
10222KHEC	Chrome swing handle locking with Half-Euro cylinder. Key 92268 and CL001 available

* Kindly note that some of our products may not be available in your country. Please contact our sales department to enquire as to the availability of specific products.



Remarks:

AKIRA PADLOCKING SWING HANDLES

- Quality chrome plated and superior 316 grade stainless steel models available.
- Sleek modern styling with concealed padlock Hasp for added security.
- Smooth, user friendly operation with snap shut Anti-tamper and Anti-vibration system.
- These swing handles are supplied without a cam. The recommended cam is CAM08M/S8COMP.

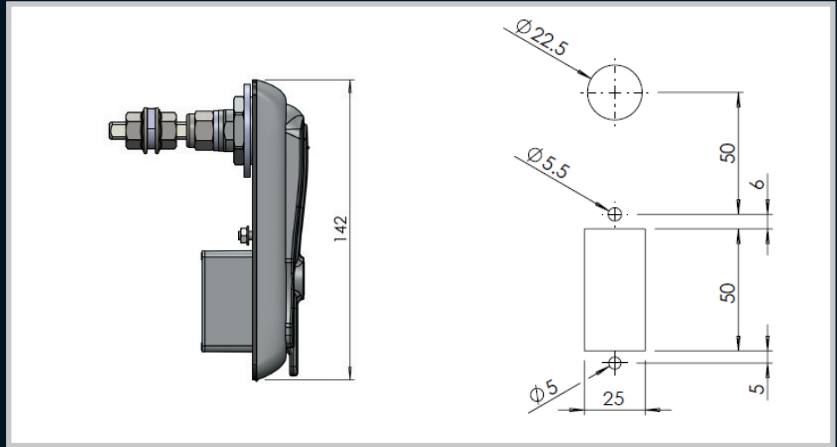
Part Number	Description
10222PS/S	316 Stainless steel swing handle padlockable
10222PC	Chrome swing handle padlockable
10222PB	Padlockable swing handle with black finish

* Kindly note that some of our products may not be available in your country. Please contact our sales department to enquire as to the availability of specific products.



Remarks:

- Quality chrome plated and superior 316 grade stainless steel models available.
- Standard 92268 and CL001 barrel types.
- Half-Euro cylinder types in 92268 & CL001 key.
- Sleek, modern styling.
- Smooth, user friendly operation with snap shut Anti-tamper and Anti-vibration system.
- These swing handles are supplied without a cam. The recommended cam is CAM08M/S8COMP.

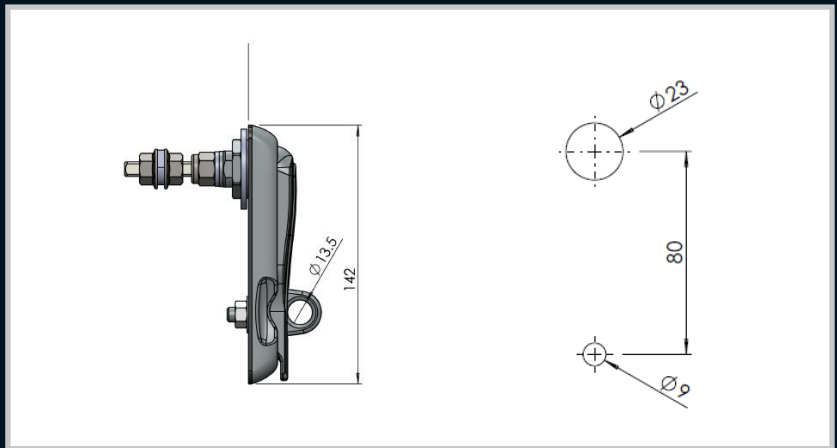


Part Number	Description
10333K/CL001	Chrome swing handle locking with standard CL001 barrel
10333K/92268	Chrome swing handle locking with standard 92268 barrel



Remarks:

- Quality chrome plated and superior 316 grade stainless steel models available.
- Smooth, user friendly operation with snap shut Anti-tamper and Anti-vibration system.
- These swing handles are supplied without a cam. The recommended cam is CAM08M/S8COMP.



Part Number	Description
10333PC	Chrome swing handle padlockable
10333PB	Padlockable swing handle with black finish
10333PS/S	316 Stainless steel swing handle padlockable

Enclosures

Hinges

Locks

Handles

Accessories

Rotary Operating Handles

Insulators

Transformer Equipment

Index

Enclosures

Hinges

Locks

Handles

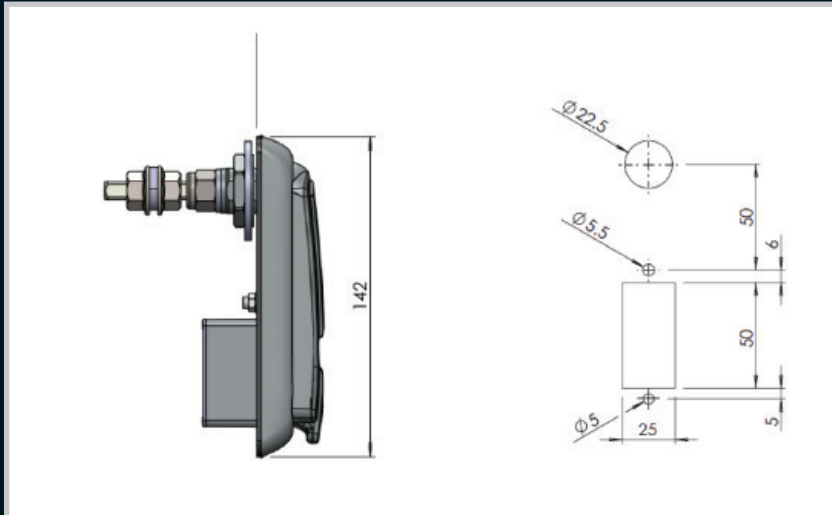
Accessories

Rotary Operating Handles

Insulators

Transformer Equipment

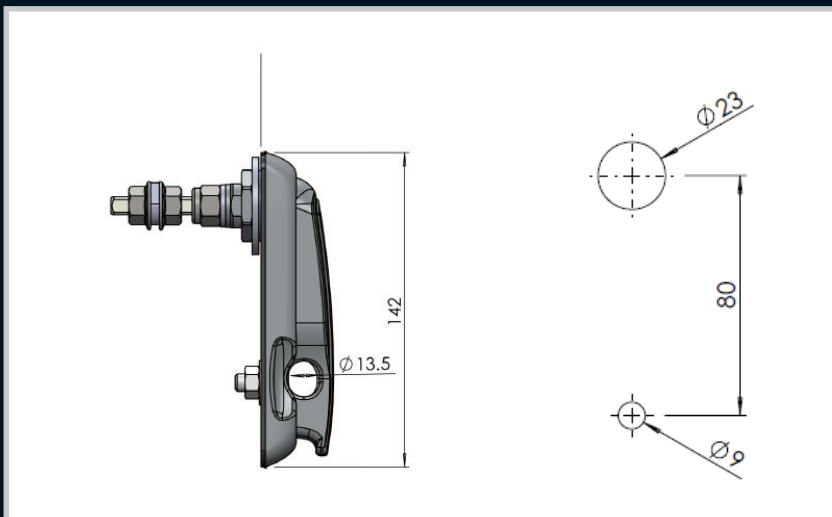
Index



Remarks:

- Quality chrome plated and superior 316 grade stainless steel models available.
- Standard 92268 and CL001 barrel types.
- Half-Euro cylinder types in 92268 & CL001 key.
- Half-Euro cylinder : 40mm profile
- Sleek, modern styling.
- Smooth, user friendly operation with snap shut Anti-tamper and Anti-vibration system.

Part Number	Description
10444KSSHEC/CL001	316 Stainless steel swing handle locking with Half-Euro cylinder with CL001 barrel
10444SSHEC/92268	316 Stainless steel swing handle locking with Half-Euro cylinder with 92268 barrel
10444KHEC/CL001	Chrome swing handle locking with Half-Euro cylinder with CL001 barrel
10444KHEC/92268	Chrome swing handle locking with Half-Euro cylinder with 92268 barrel
10444K/WOC	Chrome swing handle Half-Euro with no cylinder
10444S/SWOC	316 Stainless steel swing handle Half-Euro with no cylinder



Remarks:

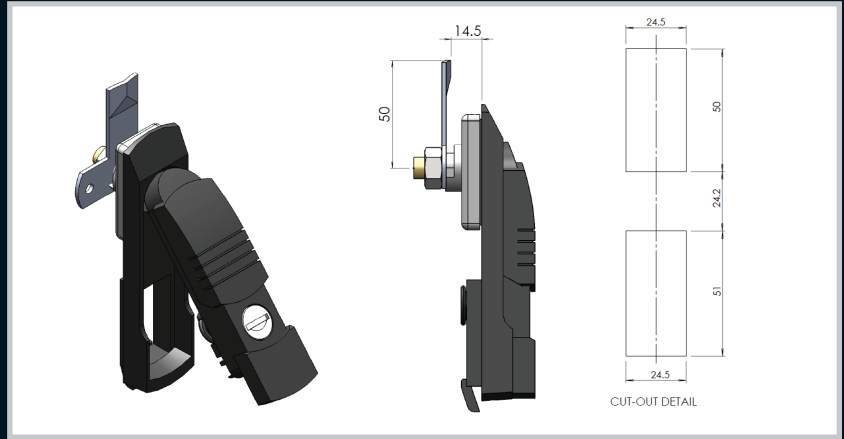
- Quality chrome plated and superior 316 grade stainless steel models available.
- Sleek modern styling with concealed padlock Hasp for added security.
- Smooth, user friendly operation with snap shut Anti-tamper and Anti-vibration system.

Part Number	Description
10444PC	Chrome swing handle padlockable
10444PB	Padlockable swing handle with black finish
10444PS/S	316 Stainless steel swing handle padlockable

* Kindly note that some of our products may not be available in your country. Please contact our sales department to enquire as to the availability of specific products.



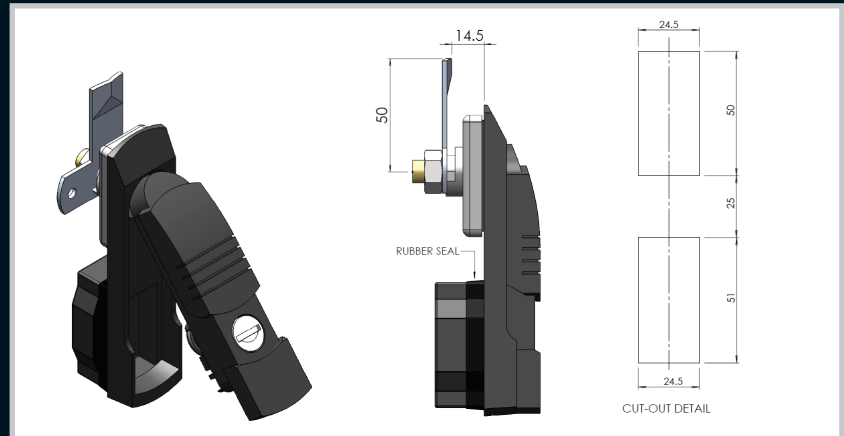
Remarks:
Quick Assembly swing handle.
Available in key alike and key different.



Part Number	Material and Finish	Description
FNSH/HOOK/SK	Nylon Matt Black	Swing handle with profile cylinder, slide dust cap and hook for quick fitments
FNSH/HOOK/DK	Nylon Matt Black	Swing handle with profile cylinder, slide dust cap and hook for quick fitments



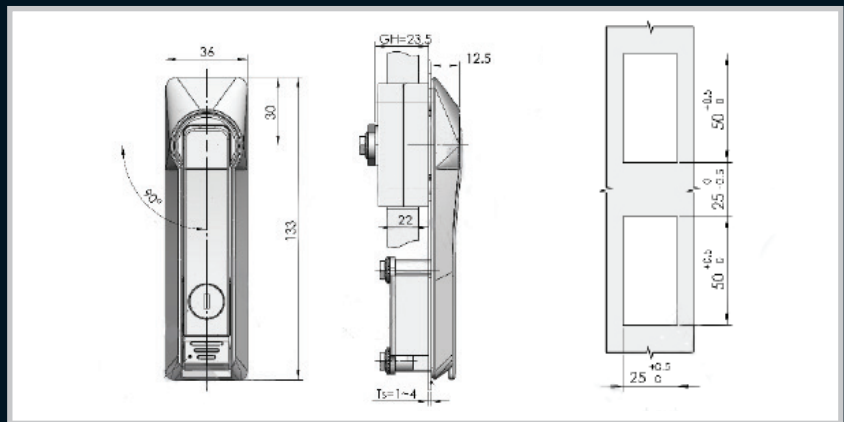
Remarks:
IP65 swing handle.
Available in key alike and key different.



Part Number	Material and Finish	Description
FNSH/65	Nylon Matt black	Swing handle with profile cylinder, slide dust cap and rubber gasket with cap for IP65 rating



Remarks:
Available in key alike and key different.
For key different option add "D" to part number



Part Number	Description
50_2_23_P_B/K	Key lockable flush swing handle with push button , Black
50_2_23_P_B/K-92268	Key lockable flush swing handle with push button , Black
50_2_23_P_C/K	Key lockable flush swing handle with push button , Chrome
50_2_23_B/K	Key lockable swing handle 90 degree rotation , Black
50_2_23_C/K	Key lockable swing handle 90 degree rotation , Chrome

Enclosures

Hinges

Locks

Handles

Accessories

Rotary Operating Handles

Insulators

Transformer Equipment

Index

Enclosures

Hinges

Locks

Handles

Accessories

Rotary Operating
Handles

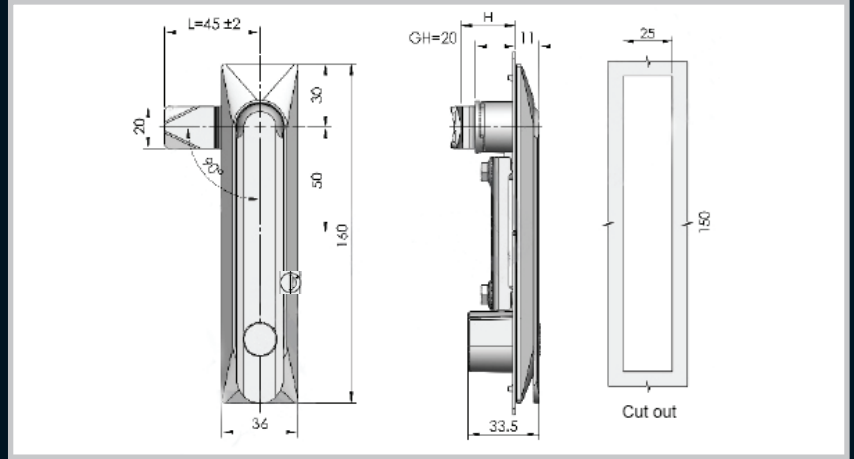
Insulators

Transformer
Equipment

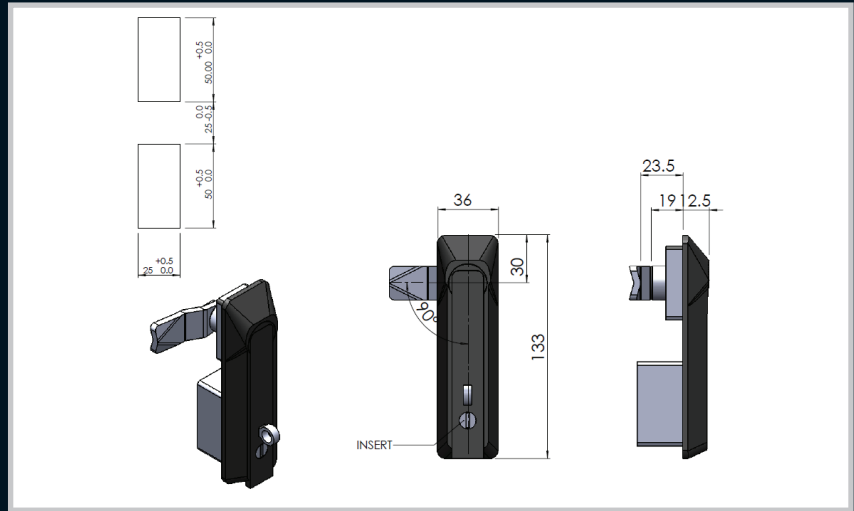
Index



Remarks:
Available in key alike and key different.
For key different option add "D" to part number. (Example: 150_2_20_B/K/D)



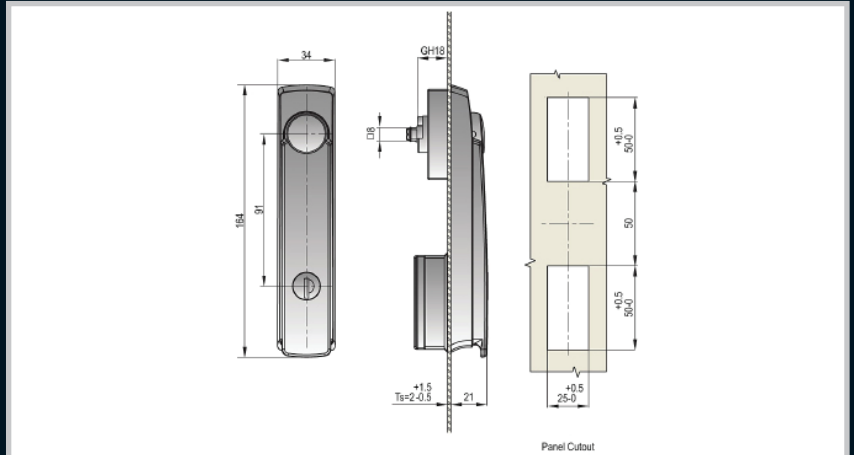
Part Number	Description
150_2_20_B/K	Key lockable swing handle, Black



Part Number	Description
50_4_23_B/P	Padlockable swing handle Black powder coated ZDC
50_4_23_PS/S	Padlockable swing handle full stainless steel



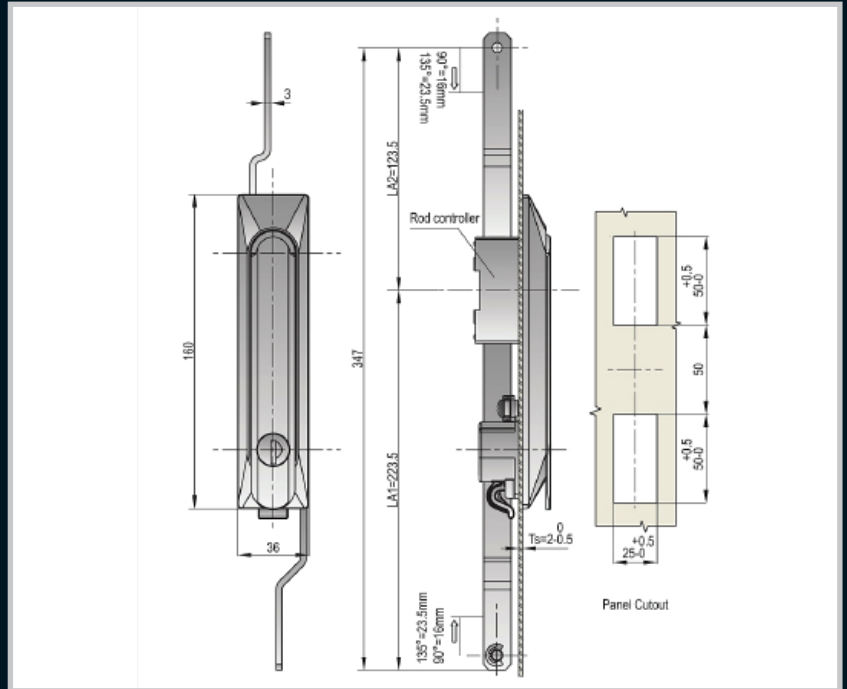
Remarks:
Available in key alike and key different.
For key different option add "D" to part number. (Example: 164_1_50_N/K/D)



Part Number	Description
164_1_50_N/K	Nylon body and handle , key lockable
164_1_50_ZN/K	Nylon body and Zinc die handle, key lockable



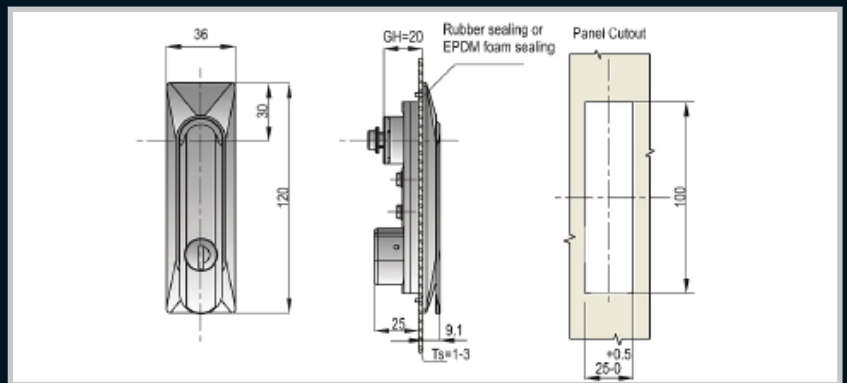
Remarks:
Available in key alike and key different.
For key different option add "D" to part number. (Example: 160_1_50_BK/RLS/D)



Part Number	Description
160_1_50_BK/RLS	Black powder coated , Key lockable



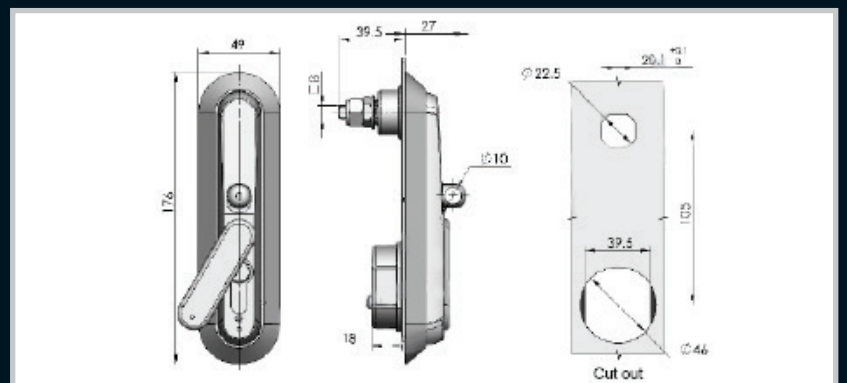
Remarks:
Available in key alike and key different.
For key different option add "D" to part number. (Example: 120_1_100_Z/BK/D)



Part Number	Description
120_1_100_ZN/BK	Zinc handle with Nylon housing, key lockable
120_1_100_Z/BK	Full Zinc, key lockable



Remarks:
Available in key alike and key different.
For key different option add "D" to part number. (Example: 46_3_39_PA/P/D)



Part Number	Description
46_3_39_PA/P	ZDC handle and PA housing (with padlock)

Enclosures

Hinges

Locks

Handles

Accessories

Rotary Operating Handles

Insulators

Transformer Equipment

Index