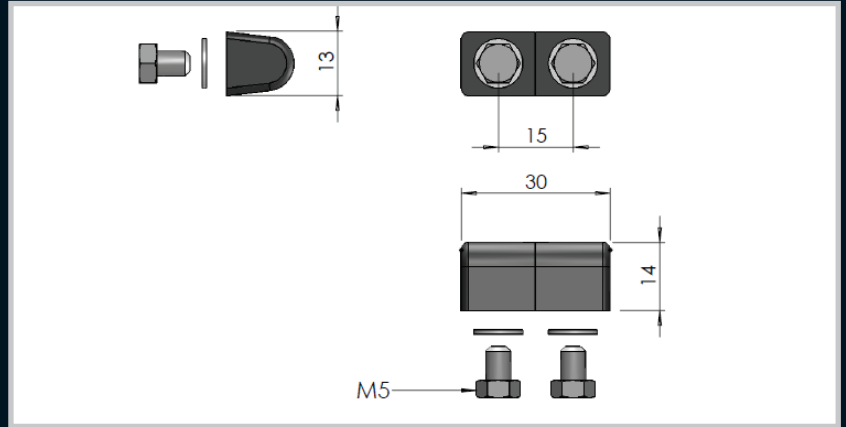


Enclosures

Hinges



Part Number	Description
1010071	ZDC Black powder coated MS stud and fastener 5mm

Locks

Handles

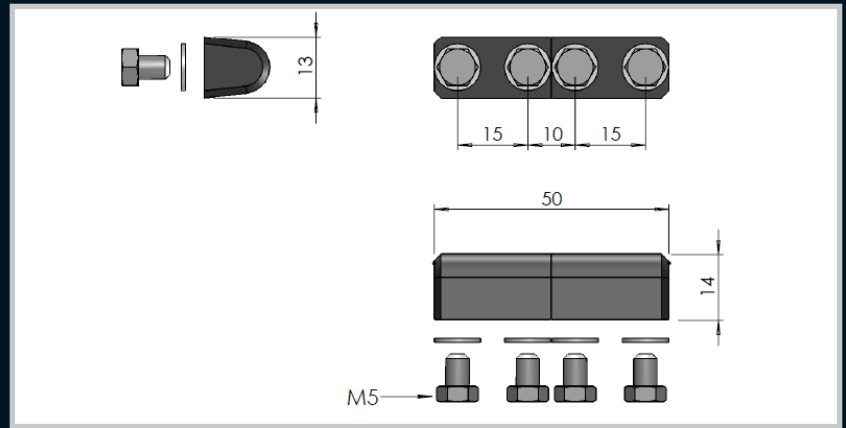
Accessories

Rotary Operating Handles

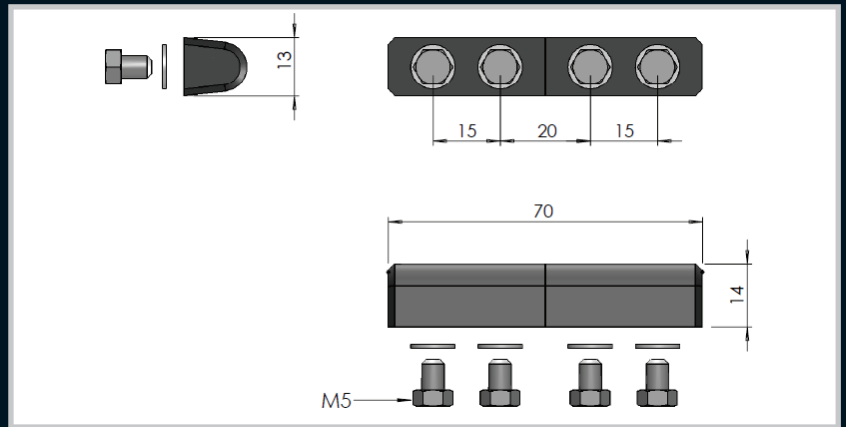
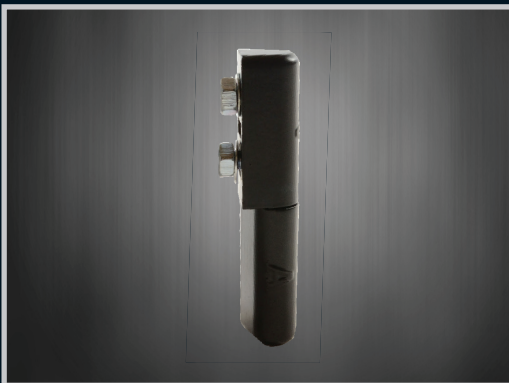
Insulators

Transformer Equipment

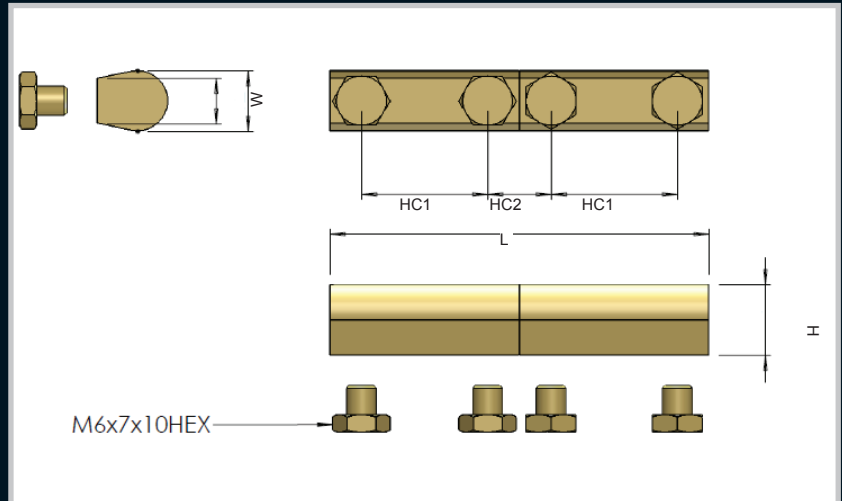
Index



Part Number	Description
1010073	ZDC Black powder coated MS stud and fastener 5mm



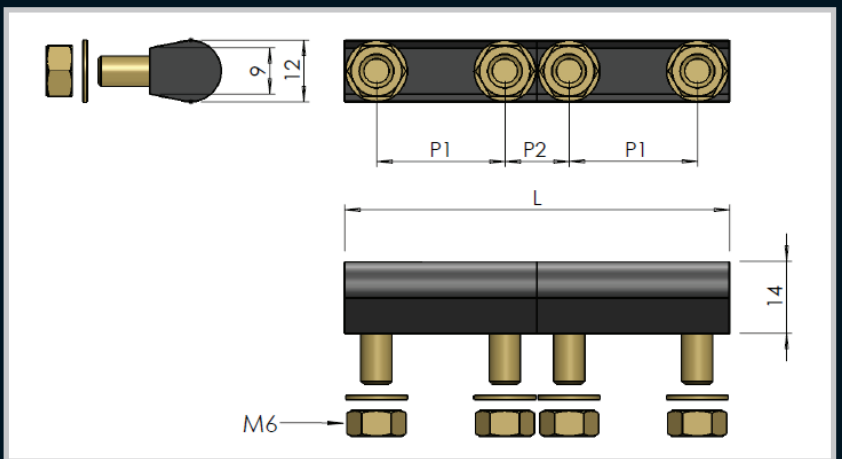
Part Number	Description
1010075	ZDC Black powder coated MS stud and fastener 5mm



Part Number	Description	L (mm)	W (mm)	W2 (mm)	H (mm)	HC1 (mm)	HC2 (mm)
HB32/SCREWS	Brass natural with brass Hex screws	32	12	9	14	16	/
HB32P/CSTUD	Brass natural with studs	32	12	9	14	16	/
HB60/SCREWS	Brass natural with brass Hex screws	60	12	9	14	20	10
HB60P/CSTUD	Brass natural with studs	60	12	9	14	20	10
HB75	Hinge with Hex screws	75	12	9	14	25	12.5
HB75P/CSTUDS	Hinge with studs	75	12	9	14	25	12.5
HB100	Hinge with Hex screws	100	12	9	14	25	25
HB100P/CSTUD	Hinge with studs	100	12	9	14	25	25



Remarks:
Comes with 6 mm studs



Part Number	Description	L (mm)	W2 (mm)	W1 (mm)	H (mm)	P1 (mm)	P2 (mm)
HB32P/C	Brass Black powder coated with 6mm studs	32	12	9	14	20	10
HB60P/C	Brass Black powder coated with 6mm screws	60	12	9	14	20	10
HB75P/C	Brass Black powder coated with 6mm studs	75	12	9	14	25	12.5
HB100P/C	Brass Black powder coated with 6mm studs	100	12	9	14	25	25

Enclosures

Hinges

Locks

Handles

Accessories

Rotary Operating Handles

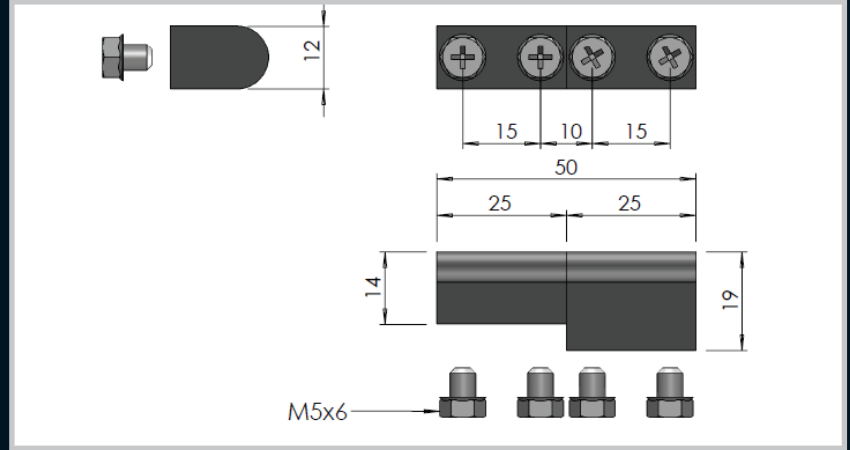
Insulators

Transformer Equipment

Index

Enclosures

Hinges



Part Number	Description
083-007/12MM	50mm Stepped hinge ,ZDC Black powder coated Brass pin MS 5x6mm fasteners
083-007/15MM	50mm Stepped hinge ,ZDC Black powder coated Brass pin MS 5x6mm fasteners

Locks

Handles

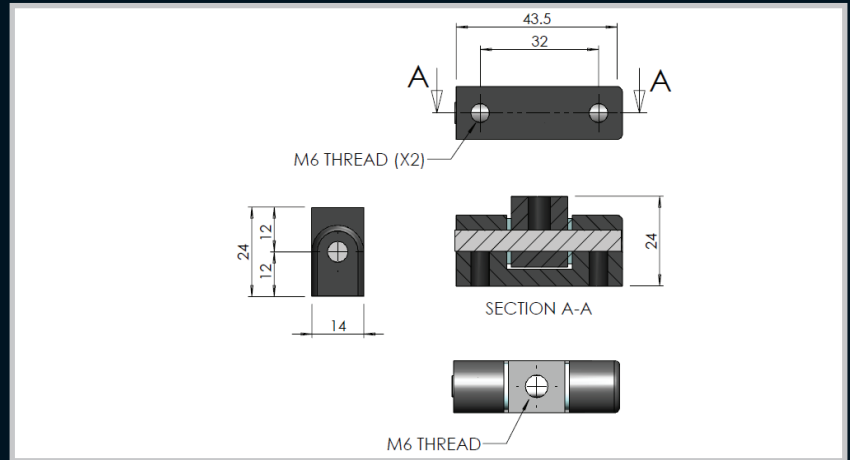
Accessories

Rotary Operating Handles

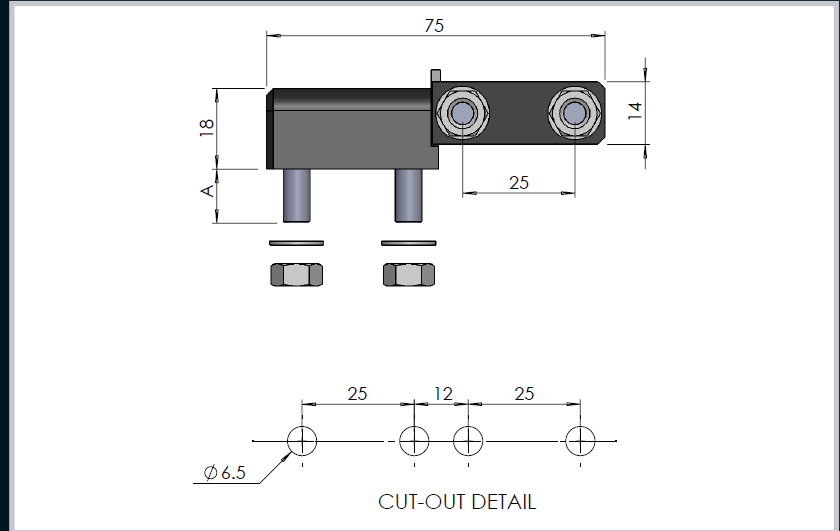
Insulators

Transformer Equipment

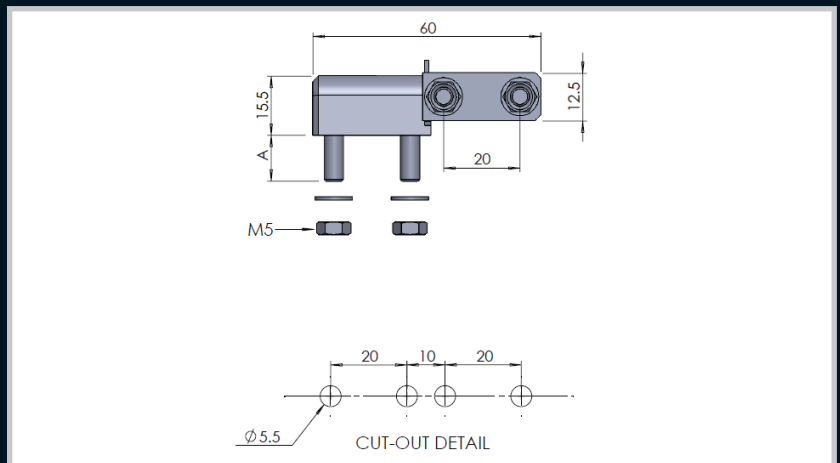
Index



Part Number	Description
083-005	ZDC Black powder coated 6mm countersunk threaded holes



Part Number 75mm	Description	Stud (mm)
1010125	ZDC, Black powder coated MS 6mm stud and fasteners	15
1010125S/S	Complete stainless steel 6mm stud and fasteners	15
SHORT STUD		
1010125/SHORT	ZDC, Black powder coated MS 6mm stud and fasteners	9
1010125S/S - S	Complete stainless steel MS 6mm stud and fasteners	9
1010125/N/S/S	Nylon , Stainless steel short stud and fasteners	9



Part Number 60mm	Description	Stud (mm)
1010126	ZDC, Black powder coated MS 5mm stud and fasteners	12
1010126S/S	Complete stainless steel 5mm stud and fasteners	12
SHORT STUD		
1010126/SHORT	ZDC, Black powder coated MS 5mm stud and fasteners	9

Enclosures

Hinges

Locks

Handles

Accessories

Rotary Operating
Handles

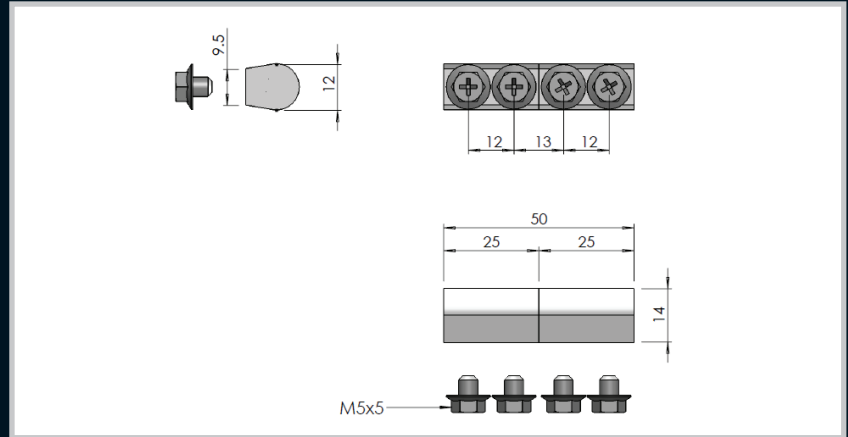
Insulators

Transformer
Equipment

Index

Enclosures

Hinges

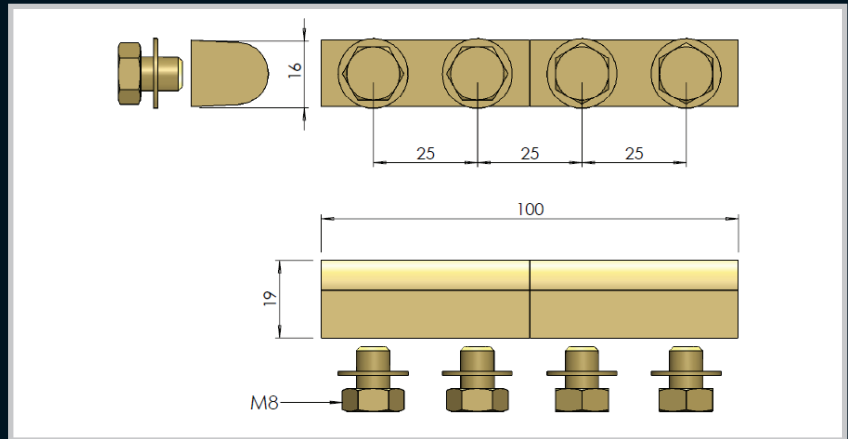


Part Number	Description
083-006	MS hinge, Brass pin Galvanized, MS 5x5mm fasteners

Locks

Handles

Accessories

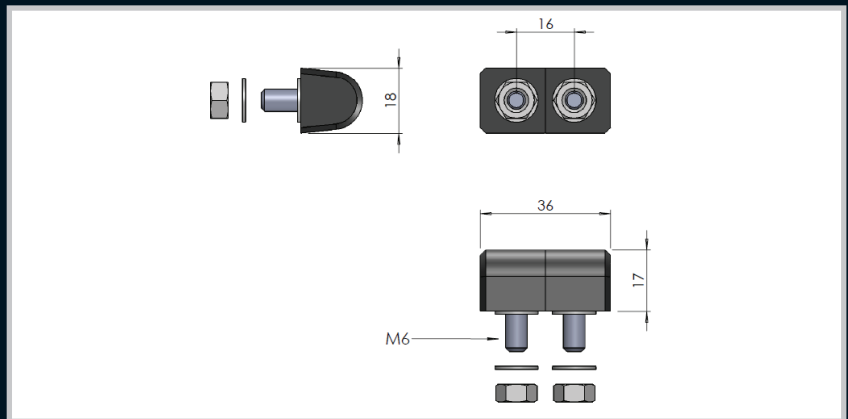


Part Number	Description
1010176	Brass, Natural, M8 fasteners
1010176/MS100	Brass bolt on part and MS weldable part
1010176S/S	Complete stainless steel M8 Fasteners

Rotary Operating Handles

Insulators

Transformer Equipment



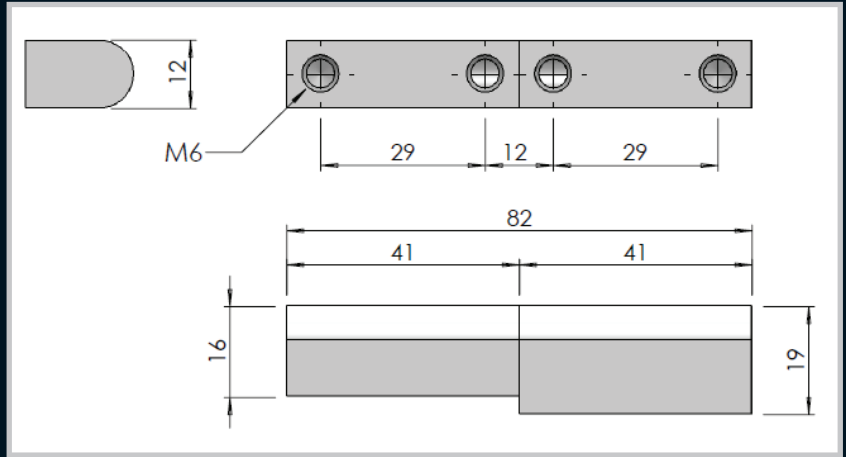
Part Number	Description
1010180	ZDC Black powder coated MS stud and fastener 6mm

Index



Hinge screw types available:

Part Number	A (mm)	B (mm)
SW6X7	7	10
SW6X8	8	13.5
SW6X10	10	13.5

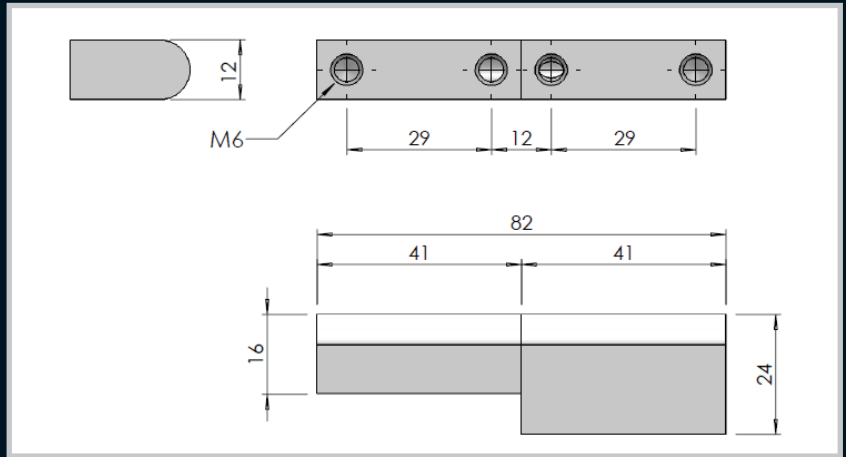


Part Number	Description
HB82B19H	Brass chrome plated 6mm threaded holes
HB82S/S19H	316 Stainless steel with 6mm threaded holes

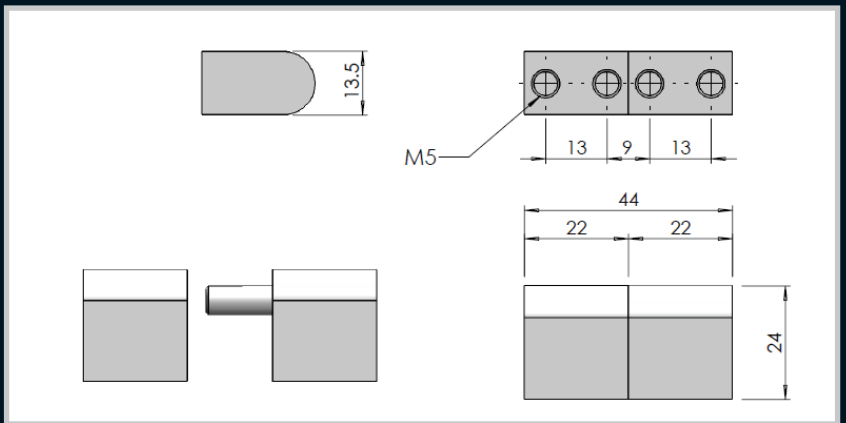


Hinge screw types available:

Part Number	A (mm)	B (mm)
SW6X7	7	10
SW6X8	8	13.5
SW6X10	10	13.5



Part Number	Description
HB82B24H	Brass chrome plated 6mm threaded holes



Part Number	Description
HB44B24H	Complete Brass chrome plated 5mm threaded holes

Enclosures

Hinges

Locks

Handles

Accessories

Rotary Operating Handles

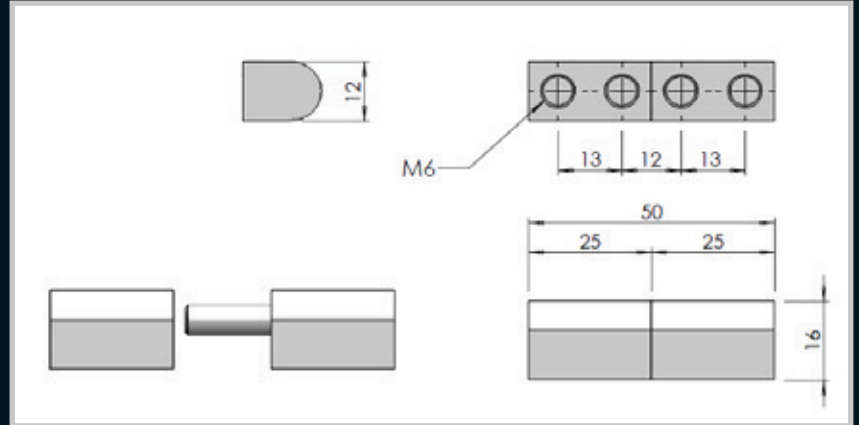
Insulators

Transformer Equipment

Index

Enclosures

Hinges

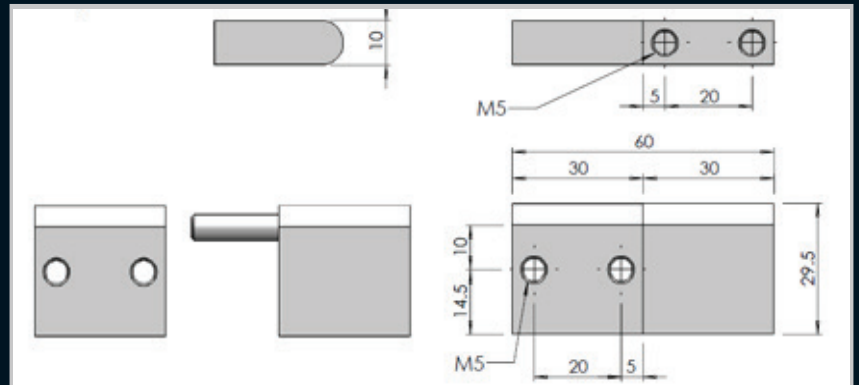


Part Number	Description
HB50B16H	Brass chrome plated 6mm threaded holes
HB50S/S16H	316 Stainless steel plated with 6mm threaded holes

Locks

Handles

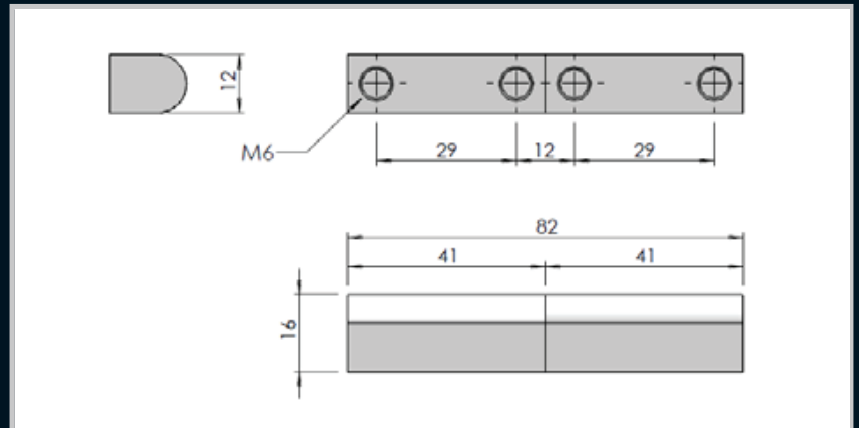
Accessories



Part Number	Description
HB60B29_5H	Brass chrome plated 5mm threaded holes

Rotary Operating Handles

Insulators



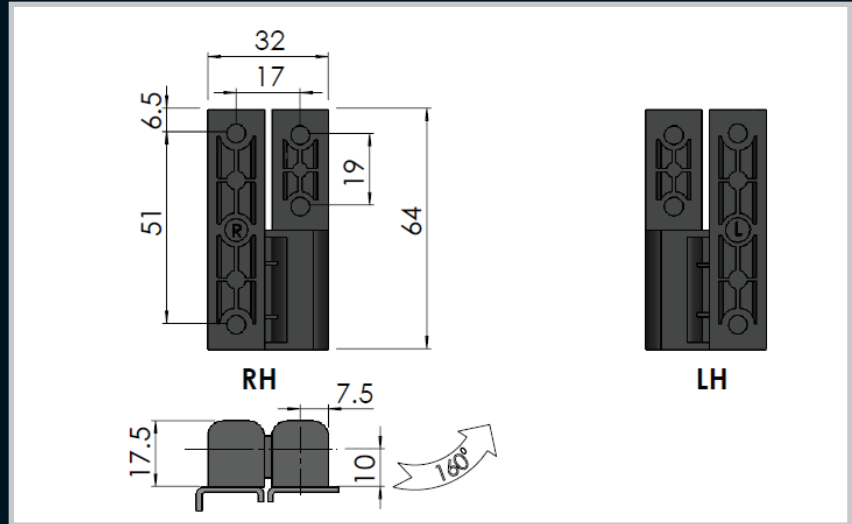
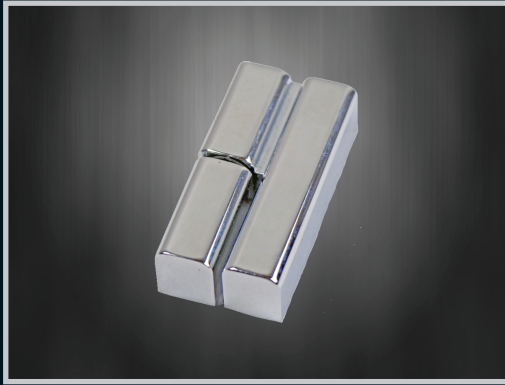
Hinge screw types available:

Part Number	A (mm)	B (mm)
SW6X7	7	10
SW6X8	8	13.5
SW6X10	10	13.5

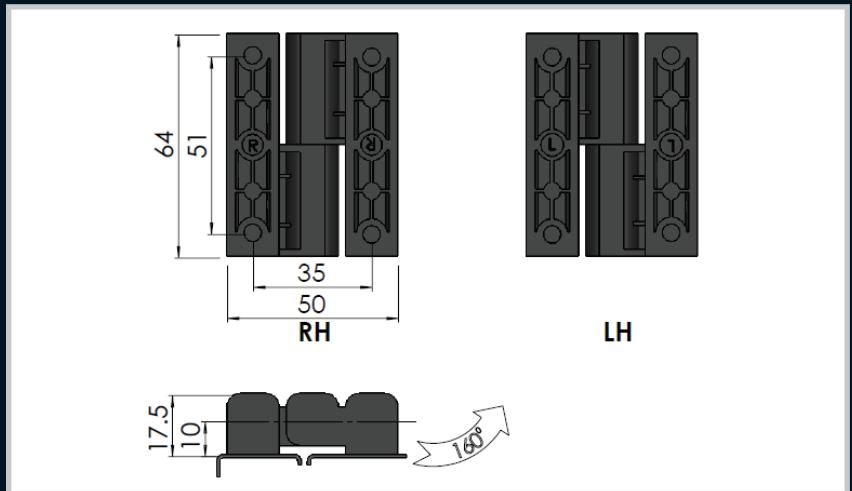
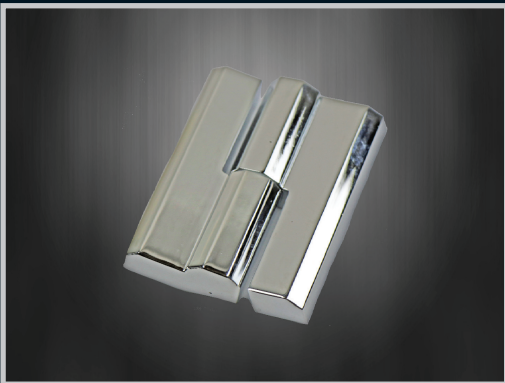
Part Number	Description
HB82Z16H	ZDC chrome plated 6mm threaded holes
HB82B16H	Brass chrome plated with 6mm threaded holes
HB82SS16H	316 Stainless steel natural finish 6mm threaded holes

Transformer Equipment

Index



Part Number	Description
641510B	Black powder coated ZDC Offset hinge
641510C	Chrome ZDC Offset hinge



Part Number	Description
645010B	Black powder coated ZDC Symmetric hinge
645010C	Chrome ZDC Symmetric hinge

Enclosures

Hinges

Locks

Handles

Accessories

Rotary Operating Handles

Insulators

Transformer Equipment

Index