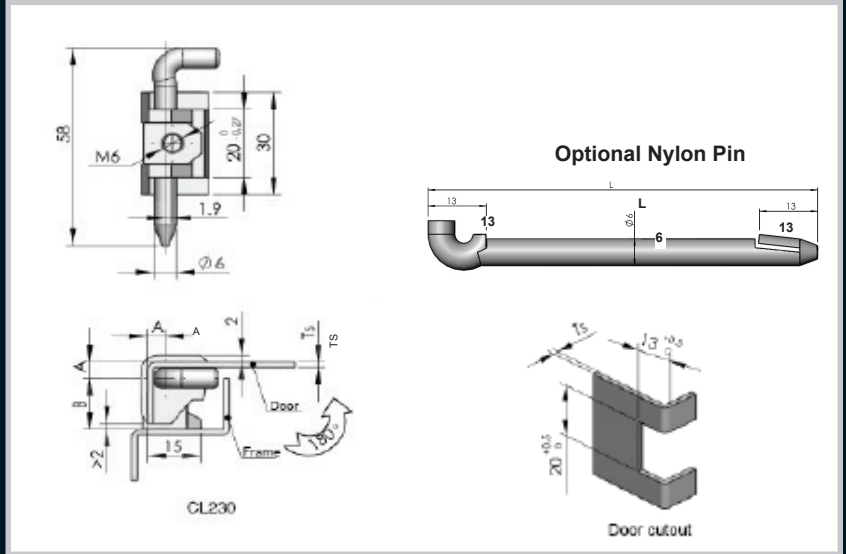


Enclosures

Hinges



Optional Nylon Pin

Part Number	L (mm)
NP57	57
NP78	78

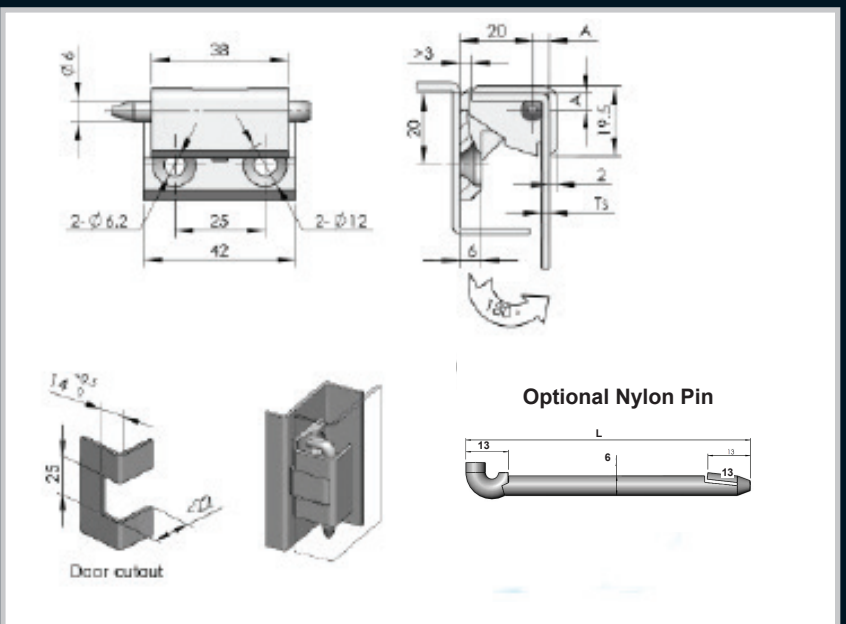
Locks

Handles

Accessories

Part Number	Description	TS (mm)	A (mm)	B (mm)
302058B-15	Semi concealed hinge ZDC black powder coated with steel pin	1.5	4.6	15
302058B-15.2	Semi concealed hinge ZDC black powder coated with steel pin	2	5.1	15
302058B-17	Semi concealed hinge ZDC black powder coated with steel pin	1.5	4.6	17
302058B-17.2	Semi concealed hinge ZDC black powder coated with steel pin	2	5.1	17
302058B-19	Semi concealed hinge ZDC black powder coated with steel pin	1.5	4.6	19
302058B-19.2	Semi concealed hinge ZDC black powder coated with steel pin	2	5.1	19

Rotary Operating Handles



Optional Nylon Pin

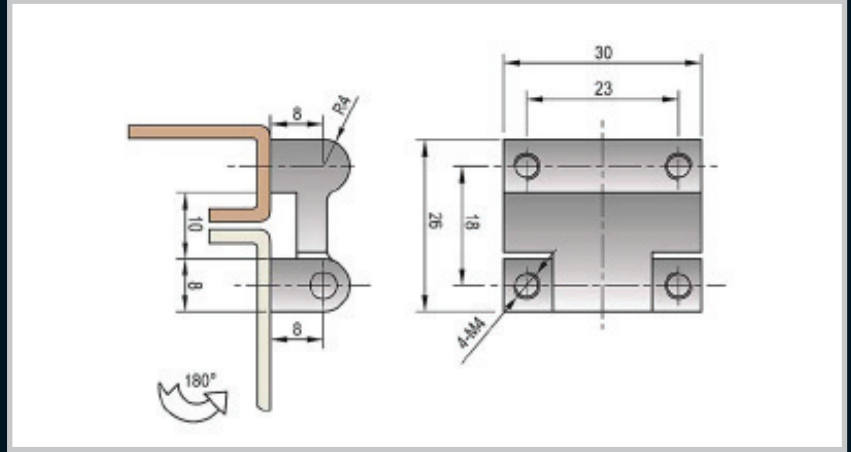
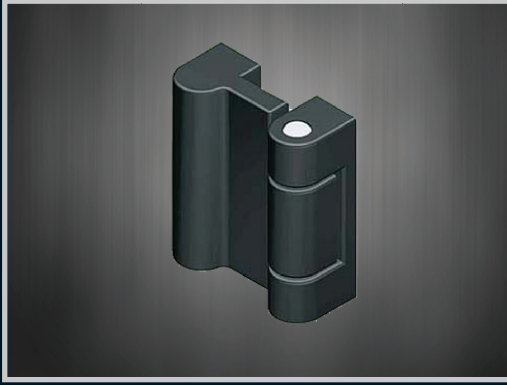
Part Number	L (mm)
NP57	57
NP78	78

Insulators

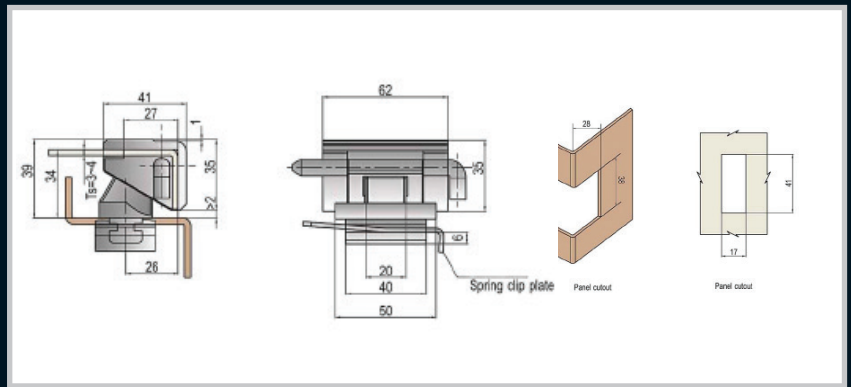
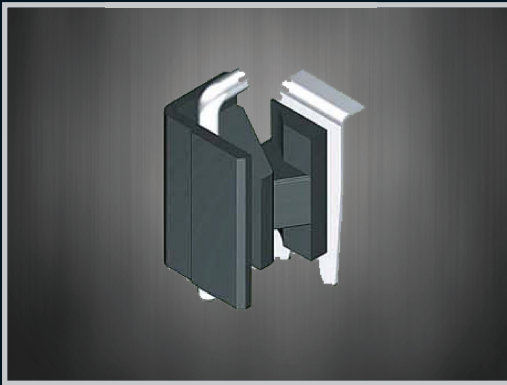
Transformer Equipment

Part Number	Description	A (mm)
423825B_2	Black powder coated, Ts=2mm	5.1
423825B_3	Black powder coated, Ts=3mm	6.1
423825B_1	Black powder coated, Ts=1mm	4.6

Index



Part Number	Description
3010	Black powder coated



Part Number	Description
410110/B	Black powder coated with a spring clip plate

Enclosures

Hinges

Locks

Handles

Accessories

Rotary Operating
Handles

Insulators

Transformer
Equipment

Index