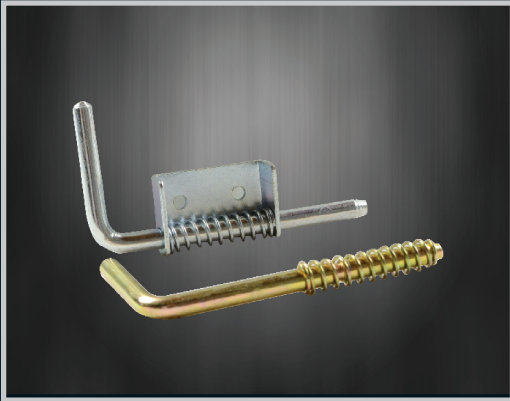


Enclosures

Hinges



Remarks:
Spring loaded

Locks

Handles

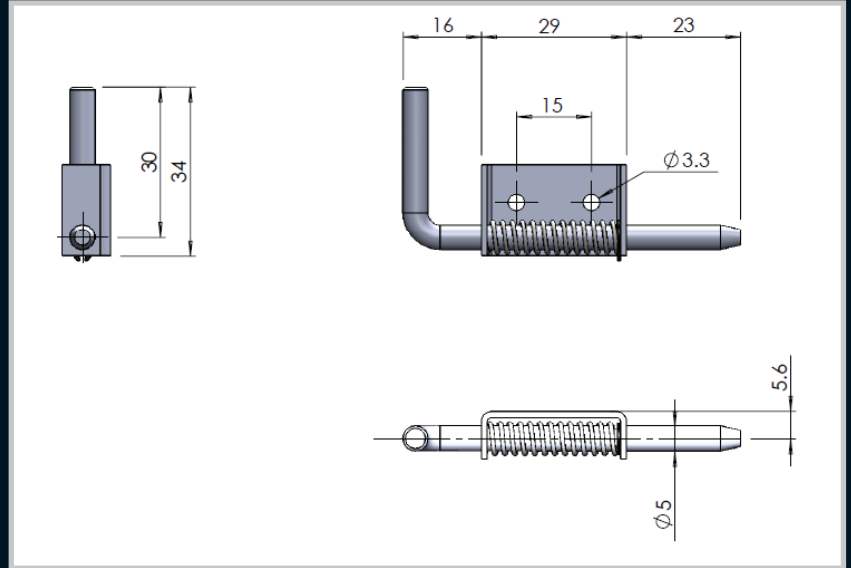
Accessories

Rotary Operating
Handles

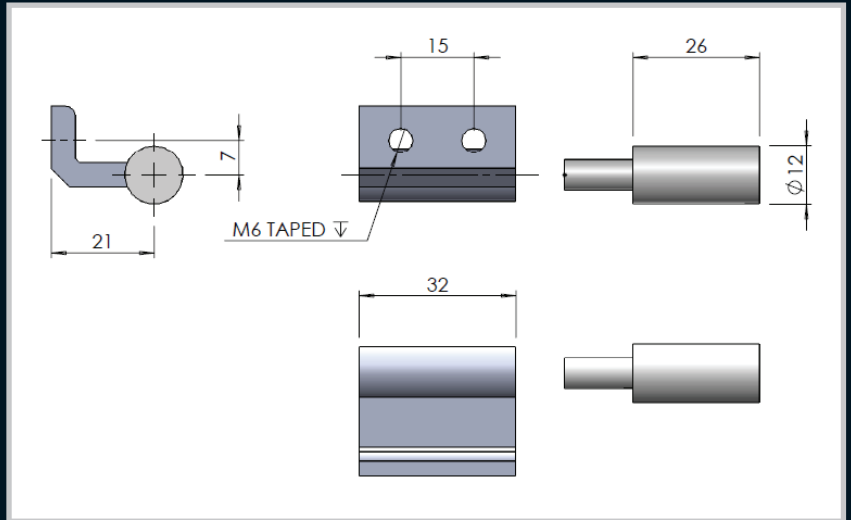
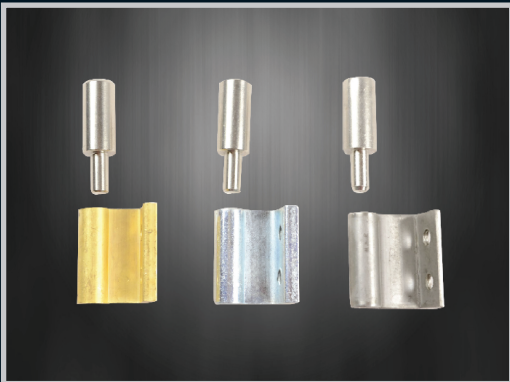
Insulators

Transformer
Equipment

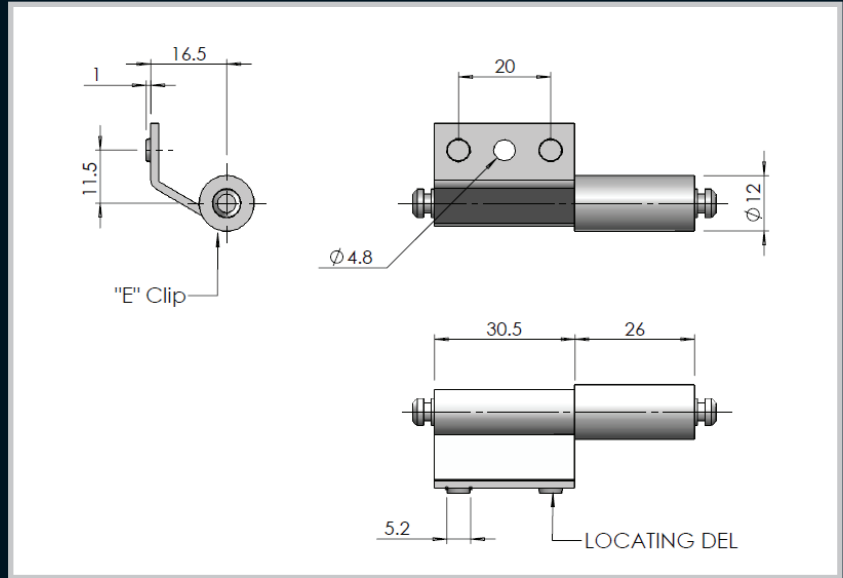
Index



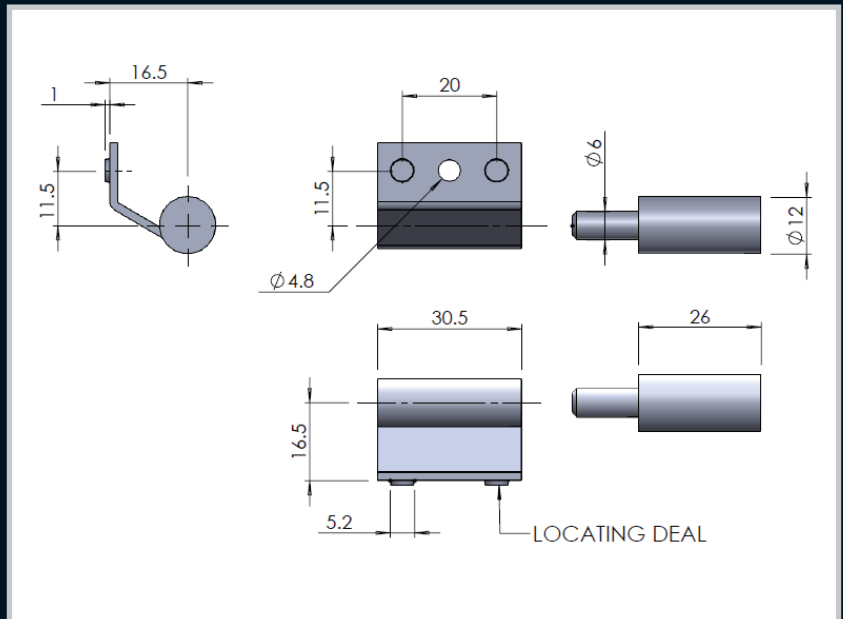
Part Number	Description
1010122	MS Body, Spring and L-Pin.
1010122/SPECIAL	MS yellow passivated tapped spring and L-pin
1010122SP/PLATE	MS body, tapped spring, L-pin and Plate



Part Number	Description
1010127	MS pin ZDC body
1010127M/SBODY	MS body
1010127M/SCOMPL	MS pin and body
1010127M/S	MS body , S/S pin
1010127M/SBRASS	MS pin and Brass body
1010127S/SBRASS	Stainless steel pin and brass body
1010127S/SCOMPL	SS pin and body



Part Number	Description
1010151SS	Weld on Stainless steel natural with "E" clip



Part Number	Description
1010150S/S	Weld on Stainless steel natural

Enclosures

Hinges

Locks

Handles

Accessories

Rotary Operating Handles

Insulators

Transformer Equipment

Index

Enclosures

Hinges

Locks

Handles

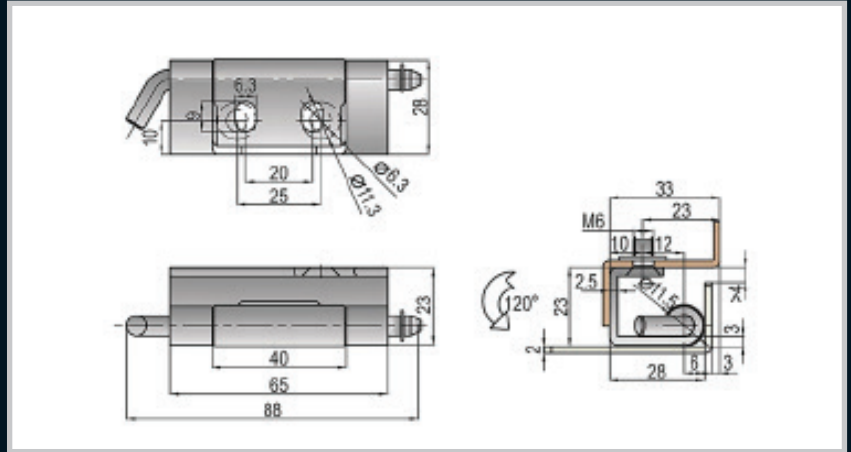
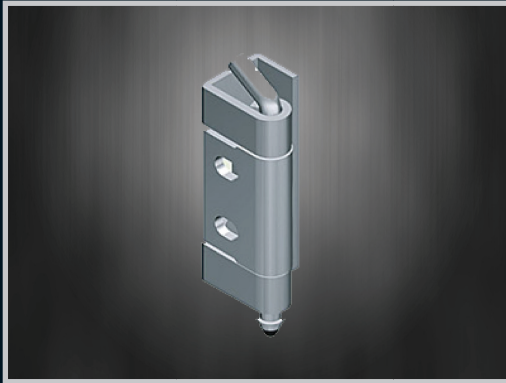
Accessories

Rotary Operating
Handles

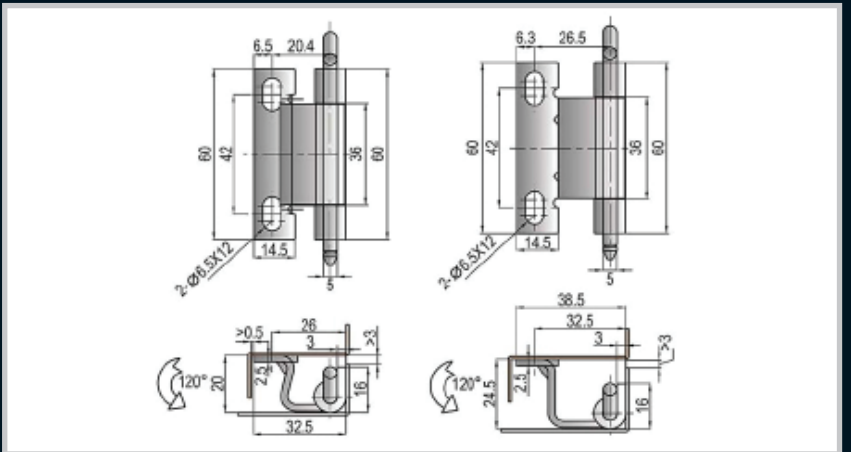
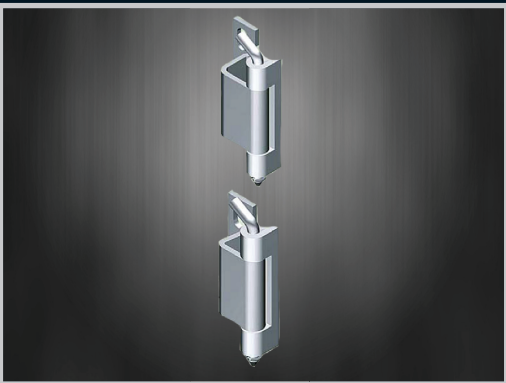
Insulators

Transformer
Equipment

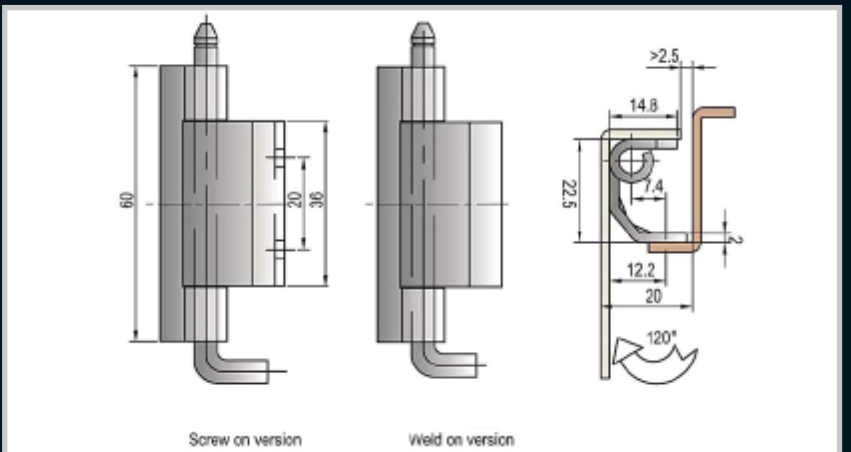
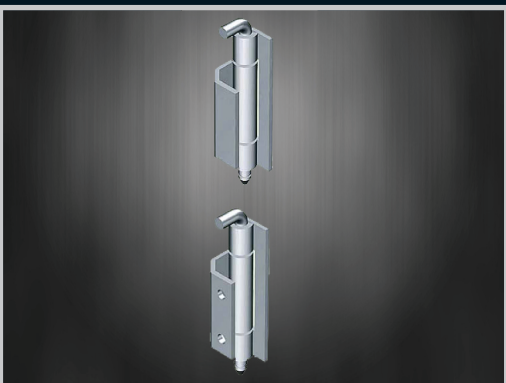
Index



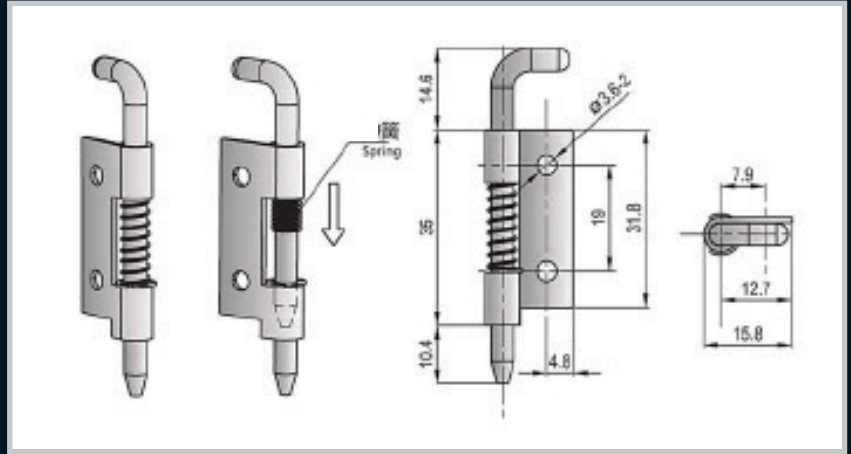
Part Number	Description
230201	MS zinc plated with L-pin



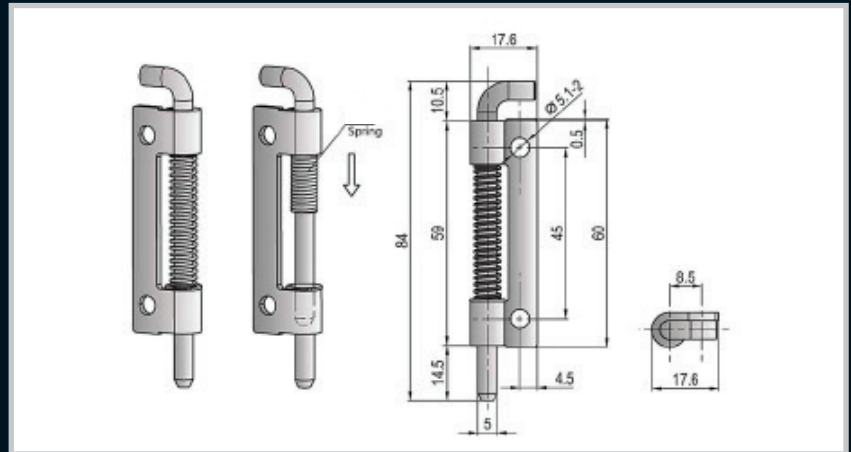
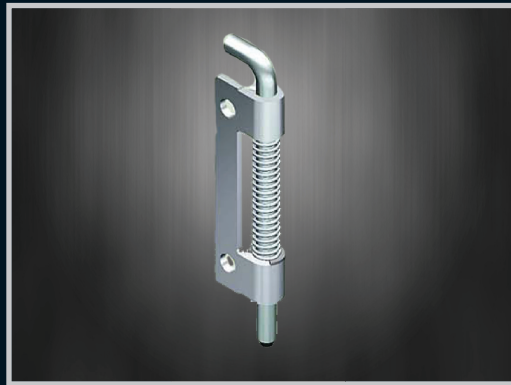
Part Number	Description
20021	20mm , MS zinc plated with L-pin
24022	24mm, MS zinc plated with L-pin



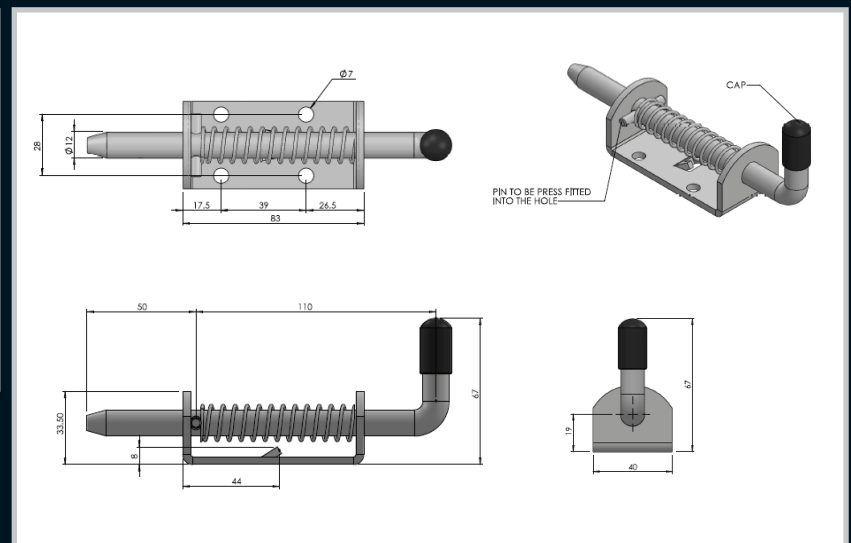
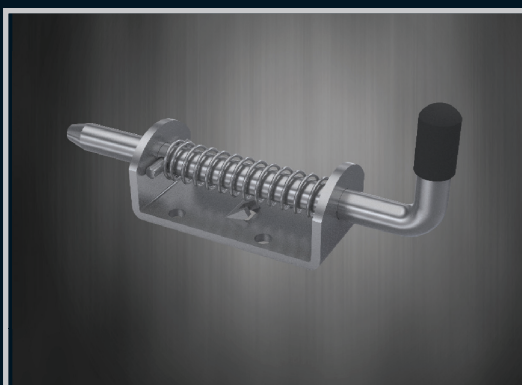
Part Number	Description
60011	Screw on version, Stainless steel
60012	Weld on version, Stainless steel



Description	Part Number Screw on version		Part Number Weld on version	
	Left	Right	Left	Right
Small	3501-L	3501-R	3511-L	3511-R



Description	Part Number Screw on version		Part Number Weld on version	
	Left	Right	Left	Right
Large	6001-L	6001-R	6011-L	6011-R



Part Number	Description
SPRB/12MM	Spring Bolt Hinge, Steel

Enclosures

Hinges

Locks

Handles

Accessories

Rotary Operating
Handles

Insulators

Transformer
Equipment

Index

Enclosures

Hinges

Locks

Handles

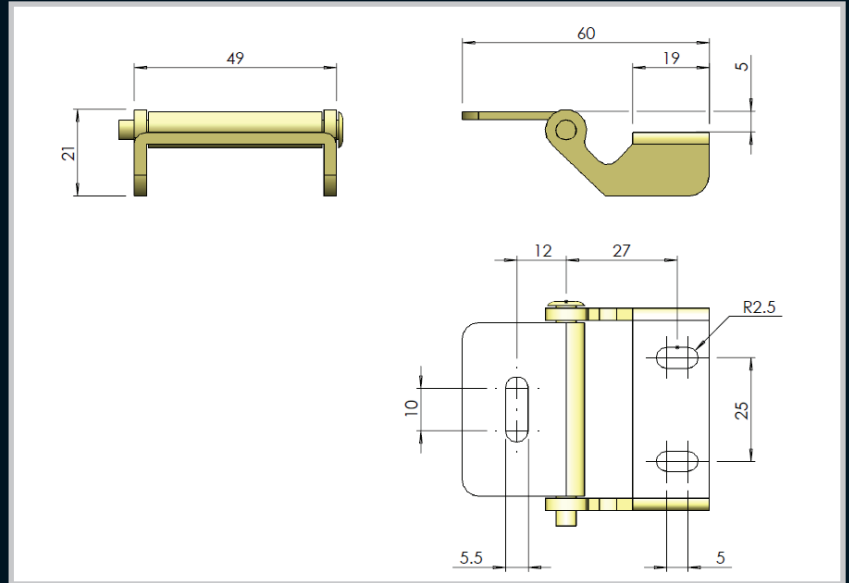
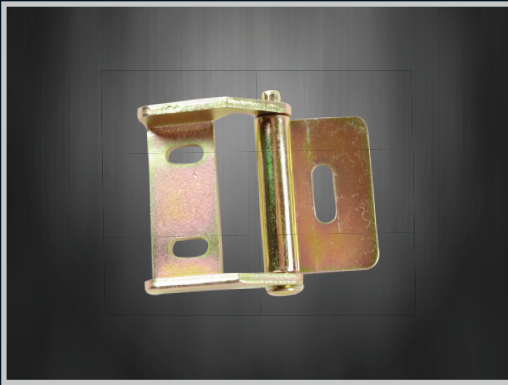
Accessories

Rotary Operating
Handles

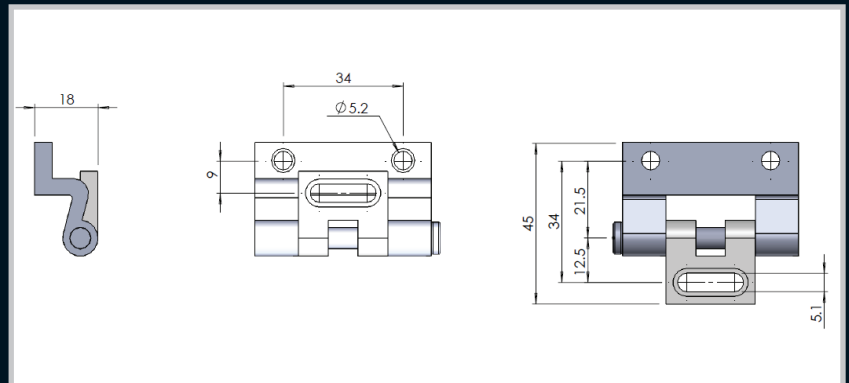
Insulators

Transformer
Equipment

Index

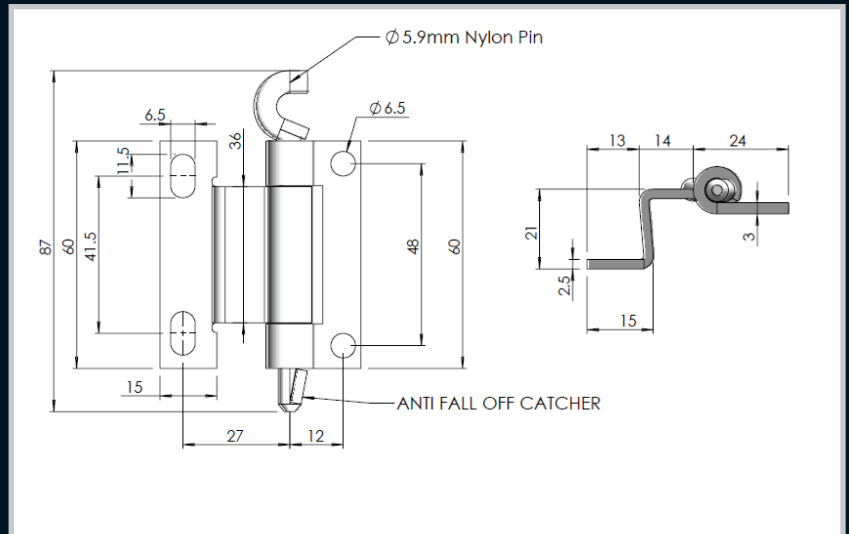


Part Number	Description
1010185	MS Galvanized

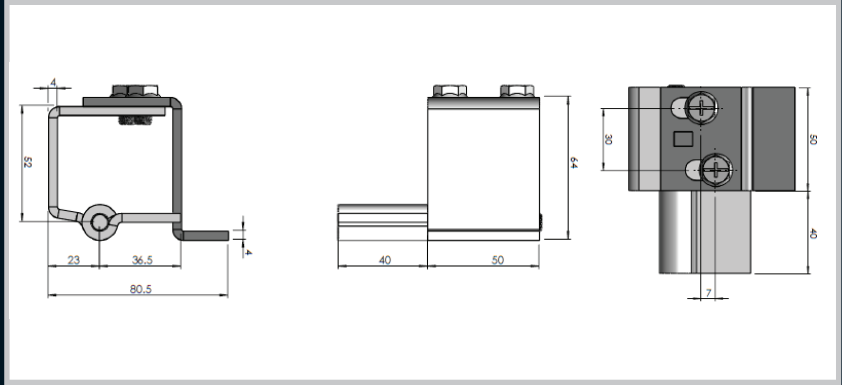


Part Number	Description
083-004	ZDC Galvanized
083-004REVERSE	ZDC Galvanized

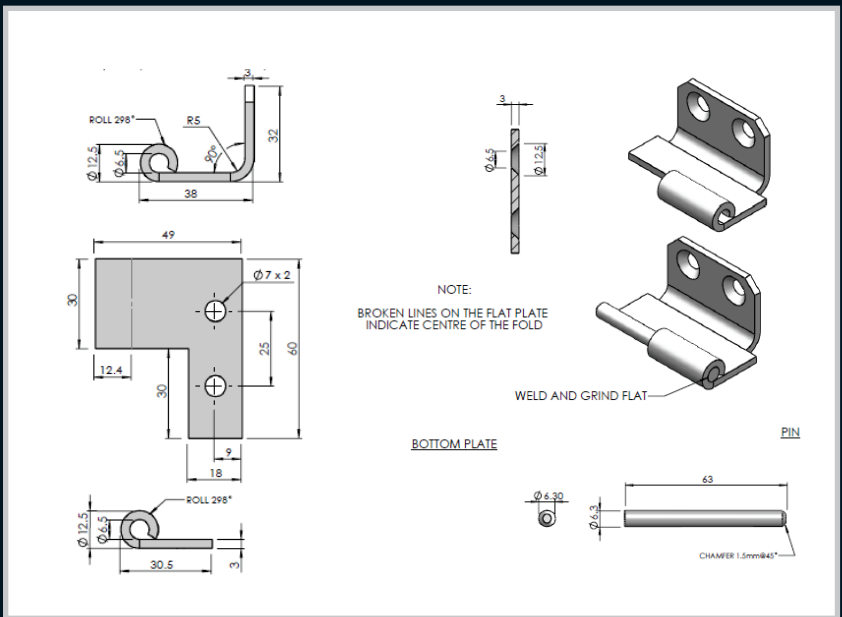
Remarks:
Pin is in opposite direction for reversal use.



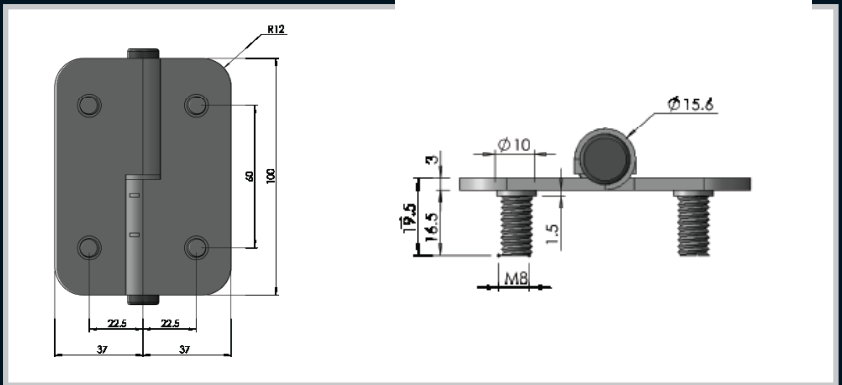
Part Number	Description
AL250-6	Mild Steel Concealed hinge with a Nylon Pin
AL250-6S/S	Stainless Steel Concealed hinge with a Nylon Pin



Part Number	Description
90_80_5	Concealed M/S hinge



Part Number	Description
WTLH60SS	Complete Stainless Steel left hand hinge
WTRH60SS	Complete Stainless Steel right hand hinge



Part Number	Description
TT10074LH	Lift off Hinge Polished Stainless Steel left hand side
TT10074RH	Lift off Hinge Polished Stainless Steel right hand side

Enclosures

Hinges

Locks

Handles

Accessories

Rotary Operating Handles

Insulators

Transformer Equipment

Index