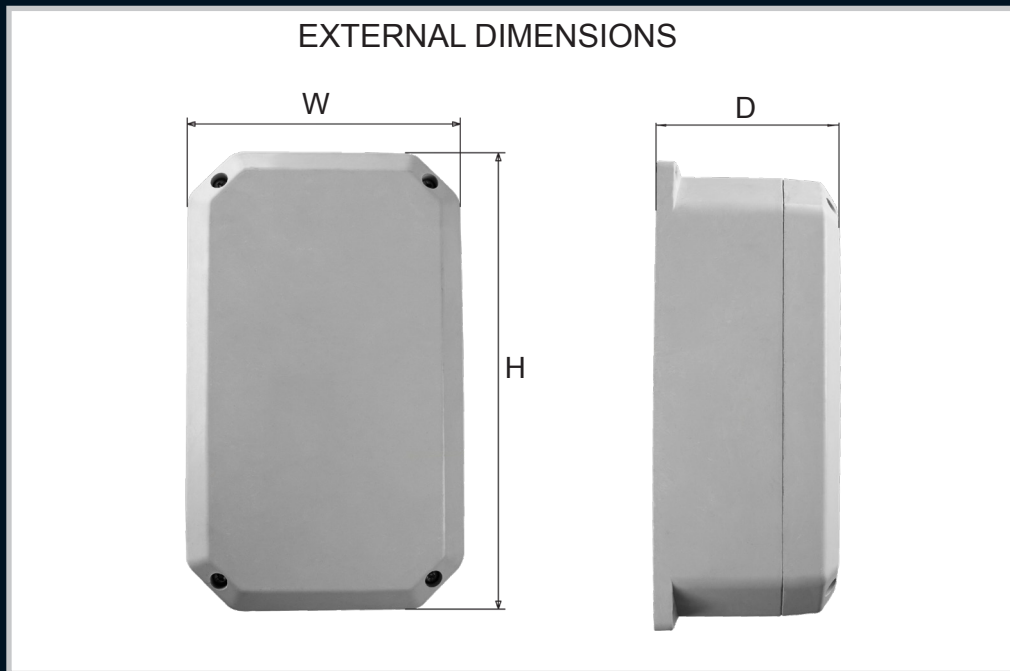


Material	SMC (Sheet Moulding Compound)			
Operating Temperature	-50° C to - 200° C			
Glow Wire Capability / Flammability	960° / UL94 V0			
Expected UV Life (Direct Exposure)	25 years +			
IP Level	IP66			
IK Level	IK10			
Security Level	1	2	3	4



Part Number	Description	H (mm)	W (mm)	D (mm)
040-916	Robust 201208 Empty Enclosure No Flap	205	125	80
040-942	Robust 201210 Deep Empty Enclosure No Flap	205	125	100
040-935	Robust 261810, Empty Enclosure No Flap	261	181	104
040-962	Robust 282513 Empty Enclosure No Flap	280	250	130
040-952	Robust 483080 Empty Enclosure No Flap	476	296	80
040-937	Robust 574310 Empty Enclosure No Flap	570	430	100

- Weather and UV resistant
- Up to 4 pole din breakers or isolators
- IP Level: 66
- Made from GRP - Glass Reinforced Polyester

Enclosures

Hinges

Locks

Handles

Accessories

Rotary Operating Handles

Insulators

Transformer Equipment

Index

Enclosures

<b>Material</b>	SMC (Sheet Moulding Compound)			
<b>Operating Temperature</b>	-50° C to - 200° C			
<b>Glow Wire Capability / Flammability</b>	960° / UL94 V0			
<b>Expected UV Life (Direct Exposure)</b>	25 years +			
<b>IP Level</b>	IP66			
<b>IK Level</b>	IK10			
<b>Security Level</b>	1	2	3	4

Hinges

Locks

Handles



Robust Standard

Robust Deep

Accessories

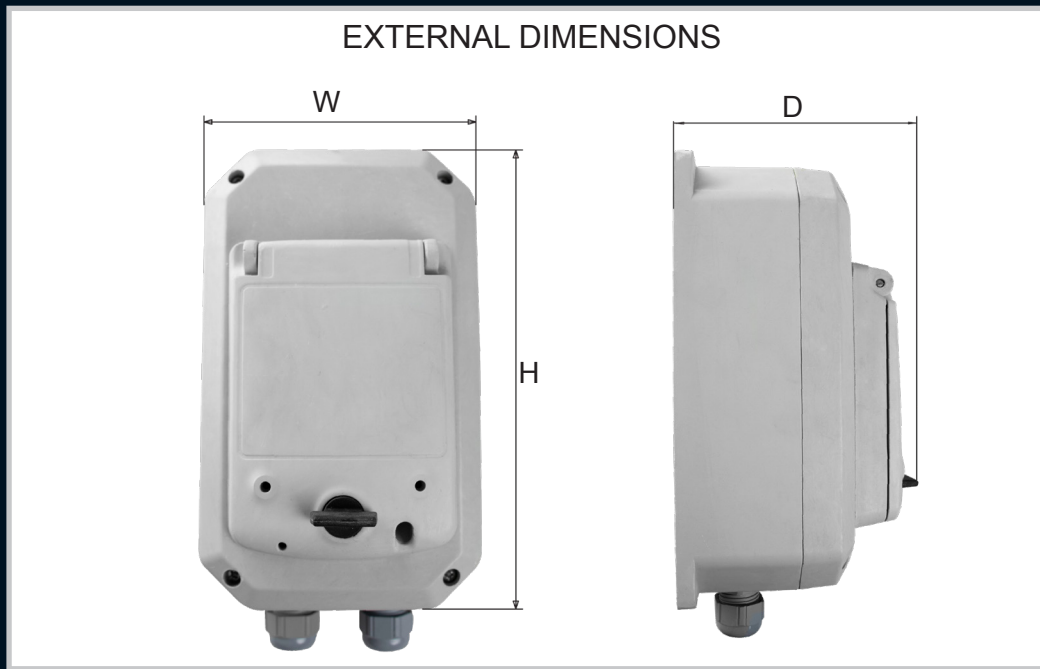
Rotary Operating Handles

Insulators

Transformer Equipment

Index

EXTERNAL DIMENSIONS



Part Number	Description	H (mm)	W (mm)	D (mm)
040-910	Robust 201208 PC Flap with Barrel Lock	205	125	80
040-911	Robust 201208 PC Flap with Plastic Lock	205	125	80
040-912	Robust 201208 GRP Flap with Barrel Lock	205	125	80
040-913	Robust 201208 GRP Flap with Plastic Lock	205	125	80
040-986	Robust 201210 Deep PC Flap Barrel Lock	205	125	100
040-987	Robust 201210 Deep PC Flap Plastic Lock	205	125	100
040-988	Robust 201210 Deep GRP FLAP Barrel Lock	205	125	100
040-989	Robust 201210 Deep GRP Flap Plastic Lock	205	125	100

- Weather and UV resistant
- Up to 4 pole din breakers or isolators
- IP Level: 66
- Made from GRP - Glass Reinforced Polyester

# New from Allbro

## Temporary power distribution boards

Material	SMC (Sheet Moulding Compound)			
Operating Temperature	-50° C to - 200° C			
Glow Wire Capability / Flammability	960° / UL94 V0			
Expected UV Life (Direct Exposure)	25 years +			
IP Level	IP66			
IK Level	IK10			
Security Level	1	2	3	4



Part Number	Description	H (mm)	W (mm)	D (mm)
040-969	Temp DB 2 x 16A Panel Sockets 2 x 16A SGL SKT	476	296	80
040-970	Temp DB 4 x 16A Panel Sockets	476	296	80
040-971	Temp DB 6 x 16A Panel Sockets	476	296	80

### Benefits of a Temporary Distribution Board:

- Provides temporary power to Construction & Camp sites
- Rugged and Robust in design
- Replaceable plug sockets
- Domestic & Industrial plug socket options
- High IP rating suitable for Boat docks and Piers
- Single phase 230V AC
- Full 30mA Earth leakage protection.

Enclosures

Hinges

Locks

Handles

Accessories

Rotary Operating Handles

Insulators

Transformer Equipment

Index