

# Joint Covers

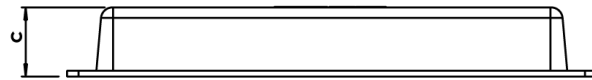
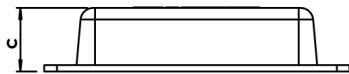
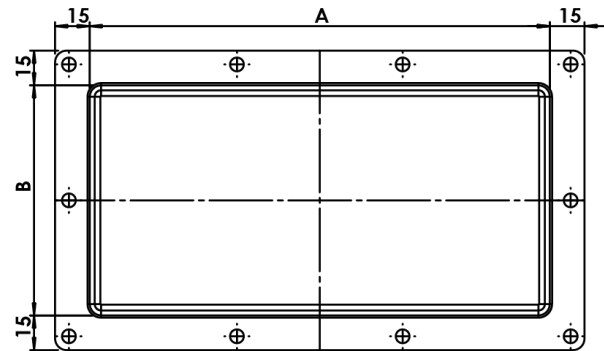
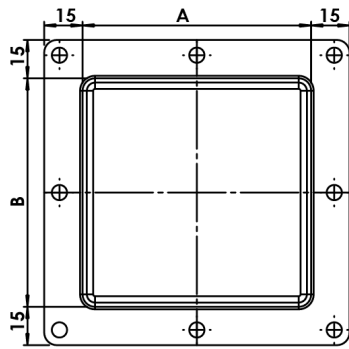
Joint Covers are made from injection moulded PVC. Busbar entries are made by cutting the covers to suit. We sell mostly in Black, but Red, White and Blue covers are available on request. Made from injection moulded PVC. Joints can be customised by cutting the covers.

## Specification for Insulated Busbar Covers:

- 1) Scope: Insulating shrouds suitable to cover various types of joints between two conductors for application in low & medium voltage switchgear.
- 2) Colour: Red/Black/Blue/White
- 3) Raw Material: PVC
- 4) Properties:

No.	Property	Test Method	Required Value	Observed Value
1	Flammability	UL 94-2013	Self Extinguishing (UL94-V0 Compliant)	Conforms
2	Comparative Tracking Index (CTI), Volts	IEC 60112-2003	>600	>600
3	Dielectric strength in air at 25°C kV/mm	IEC 60243-1-2013	Should withstand 36kv for 1 min. >8 kV/mm	Withstood 36kv for 1 min without puncture 9.4kV
4	Volume resistivity in air at 25°C, Ohms-cm	ASTM D257-2014	1x10 <sup>9</sup> - 1x10 <sup>11</sup>	1.9x10 <sup>11</sup>
5	Tensile strength at break, MPa	ASTM D638-2010	>10 MPa	12.5
6	Elongation at break %	ASTM D638-2010	300%	396
7	Water absorption after 24hrs immersion in water at 24°C, %	ASTM D570-1998	0,8% (Max)	0,50

Part Number	Description	Dimensions (mm)		
		A	B	C
<b>SQUARE TYPE</b>				
JC-90x25-BK	Joint Cover 90x25 Black	90	90	25
JC-90x45-BK	Joint Cover 90x45 Black	90	90	45
JC-135x30-BK	Joint Cover 135x30 Black	135	135	30
JC-135x50-BK	Joint Cover 135x50 Black	135	135	50
JC-170x30-BK	Joint Cover 170x30 Black	170	170	30
JC-170x50-BK	Joint Cover 170x50 Black	170	170	50
<b>RECTANGULAR TYPE</b>				
JC-200x100x30-BK	Joint Cover 200x100x30 Black	200	100	30
JC-200x100x50-BK	Joint Cover 200x100x50 Black	200	100	50



\* PDF & 3D drawings are available on request.