

AB-Busbar Supports

Material Datasheet: SMC (Sheet Moulding Compound)

Typical Properties	Standard	Units	SMC 1-20	SMC 2-20
Density	ISO 1183	g/ccm	1.8	1.8
Fibre content	EN ISO 1172	mass-%	20	30
Fibre type			Glass	Glass
Recycling code	VDA 260		UP-GS20	UP-GS30
Recyclability	-	-	Yes	Yes
Young's modulus 1)	EN ISO 527-4	GPa	9	10.5
Tensile strength 1)	EN ISO 527-4	MPa	55	70
Tensile rupture strain 1)	EN ISO 527-4	%	1.4	1.4
Compression strength 1)	EN ISO 14126	MPa	160	160
Poisson's ratio 1)	EN ISO 527-4	-	0.3	0.3
Flex modulus 1)	EN ISO 14125	GPa	10.5	10.5
Flexural strength 1)	EN ISO 14125	MPa	150	165
Impact strength 1)	EN ISO 179	KJ/m ²	60	70
CTE 1)	ISO 11359-2	10 ⁻⁶ m/mK	18	18
Continuous service temperature	Similar to IEC 216	°C	150	150
Short term service temperature	-	°C	210	210
Heat distortion temperature	EN ISO 75-2	°C	200	200
Specific heat capacity	-	J/gK	1.1	1.1
Volume resistivity	IEC 60093	Ohm*cm	10 ¹²	10 ¹²
Surface resistivity	IEC 60093	Ohm	10 ¹⁴	10 ¹⁴
Comparative tracking index	IEC 60112	CTI	600	600
Dielectric strength	IEC 60243-1	kV/mm	25	25
Dielectric constant	IEC 60250	-	4.5	4.5
Dissipation factor	IEC 60250	-	0.01	0.01
Oxygen index	EN ISO 4589-2	%	22	22
Flammability	UL94	Level/thickness	V0/3.2mm	V0/3.2mm
Flammability	ISO 3795	Class/thickness	NBR/3.2mm	NBR/3.2mm
Fire/smoke	EN 45545	Hazard Level	-	-
Glow bar	IEC 60707	Level	BH2-95	BH2-95
Glow wire	IEC 60965-2-1	°C	960	960
Water absorption	ISO 62	% after 24h	<0.3	<0.3

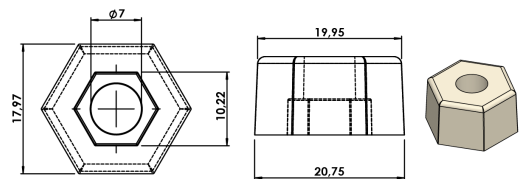
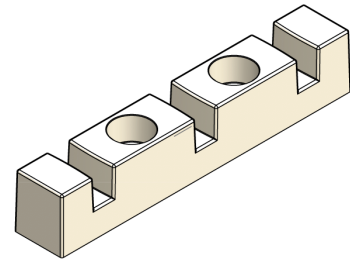
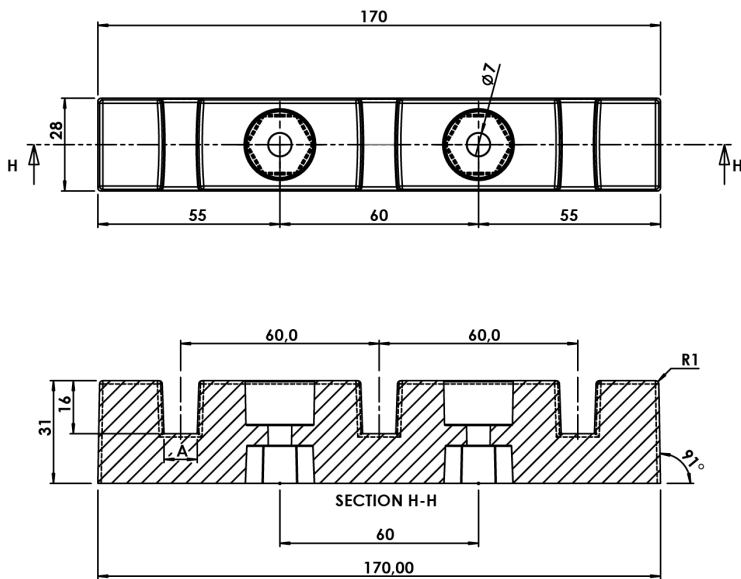
Part Number	Description	Number of Poles	Slot Width (mm)	Fixing Bolt Size (mm)
AB3-6.35	AB Busbar support 3W-6.3mm slots	3	6.35	2 x M6
AB3-8	AB Busbar support 3W-8mm slots	3	8	2 x M6
AB3-10	AB Busbar support 3W-10mm slots	3	10	2 x M6
AB3-12	AB Busbar support 3W-12mm slots	3	12	2 x M6
AB4-6.35	AB Busbar support 4W-6.3mm slots	4	6.35	4 x M6
AB4-8	AB Busbar support 4W-8mm slots	4	8	4 x M6
AB4-10	AB Busbar support 4W-10mm slots	4	10	4 x M6
AB4-12	AB Busbar support 4W-12mm slots	4	12	4 x M6

Support Spacings

Fault Current (kA)	I _{pk}			
	66	105	143	176
	I _{rms}			
Busbar size (mm)	30	50	65	80
6.35mm Busbars				
40 x 6.35	600	-	-	-
50 x 6.35	650	240	-	-
63 x 6.35	700	250	200	-
80 x 6.35	750	260	210	140
100 x 6.35	800	280	260	150
125 x 6.35	800	300	300	150
10mm Busbars				
40 x 10	550	320	230	-
50 x 10	600	340	240	-
60 x 10	700	360	250	130
80 x 10	800	380	260	140
100 x 10	800	400	280	150
120 x 10	800	400	290	150

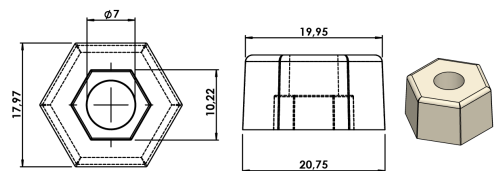
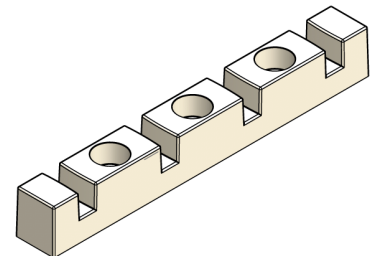
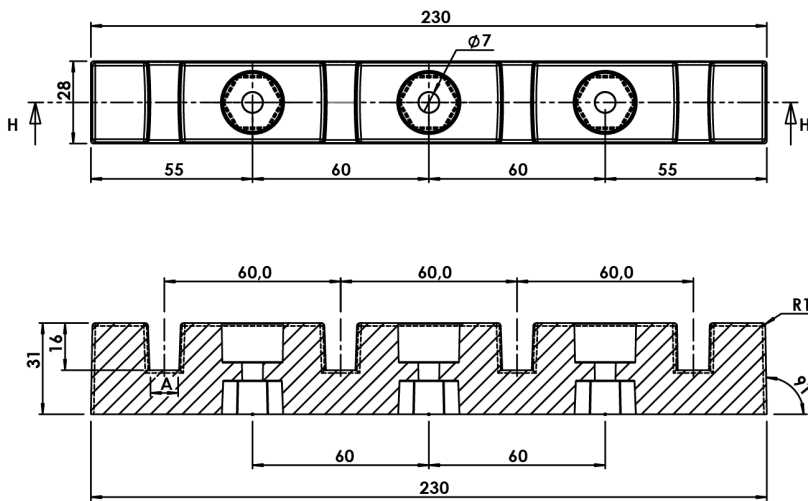
- Tests are in accordance with AS/NZS 61439.1:2016, Clause 10.11.5.3.3
- Test voltage: 415V 50Hz for a duration of 1 sec
- Tests have been carried out on a standard switchboard enclosure to comply with clause 10.11.5.1

3 Way Range



* PDF & 3D drawings are available on request.

4 Way Range



* PDF & 3D drawings are available on request.