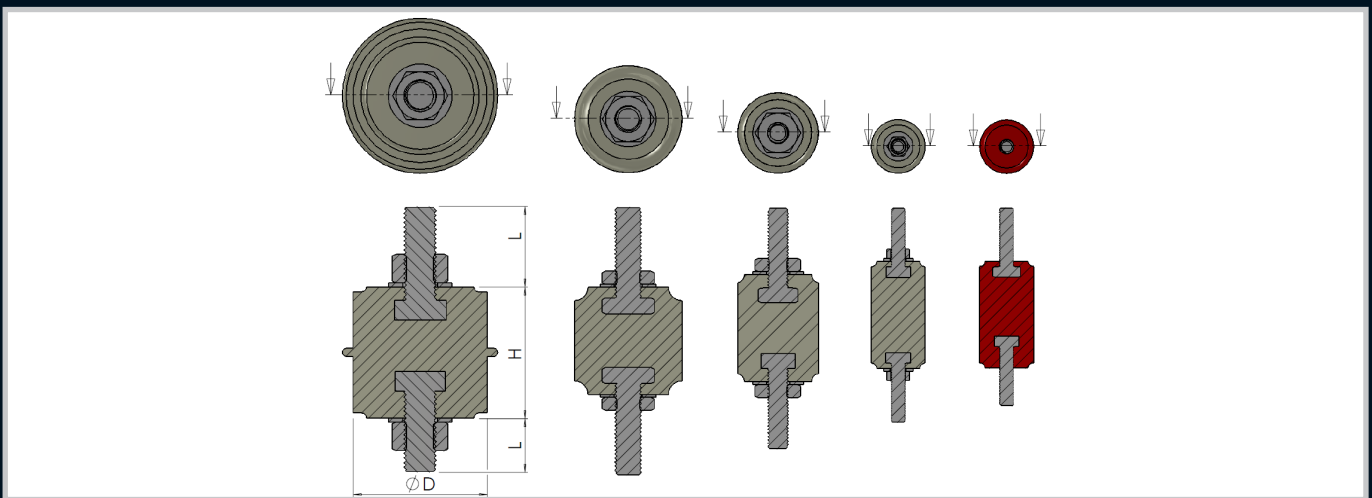
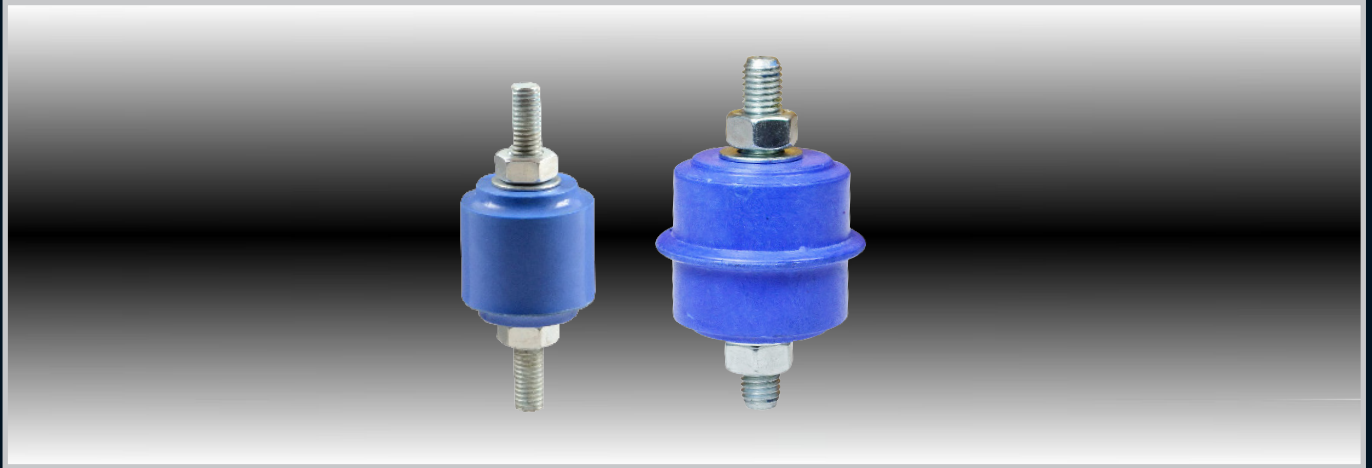


Enclosures
Hinges
Locks
Handles
Accessories
Rotary Operating Handles
Insulators
Transformer Equipment
Index



Part Number	Type	Thread Size (mm)	Recommended Torque (N.m)	H (mm)	D (mm)	L (mm)	Stud /Insert
050-056	SL-6R	1	6	40	20	20	M6
050-008	SL-6W	1	6	40	20	20	M6
050-058	SL-6/BK	1	6	40	20	20	M6
050-057	SL-6/BL	1	6	40	20	20	M6
050-010	SL-8/W	1,25	10	40	30	25	M8
050-064	SL-8/BK	1,25	10	40	30	25	M8
050-063	SL-8/BL	1,25	10	40	30	25	M8
050-062	SL-8/R	1,25	10	40	30	25	M8
050-012	SL-10/W	1,5	12	40	40	30	M10
050-070	SL-10/BK	1,5	12	40	40	30	M10
050-069	SL-10/BL	1,5	12	40	40	30	M10
050-068	SL-10/R	1,5	12	40	40	30	M10
050-210	SL-12/W	1,75	16	50	50/60	16	M12
050-278	SL-12/BK	1,75	16	50	50/60	16	M12
050-277	SL-12/BL	1,75	16	50	50/60	16	M12
050-276	SL-12/R	1,75	16	50	50/60	16	M12