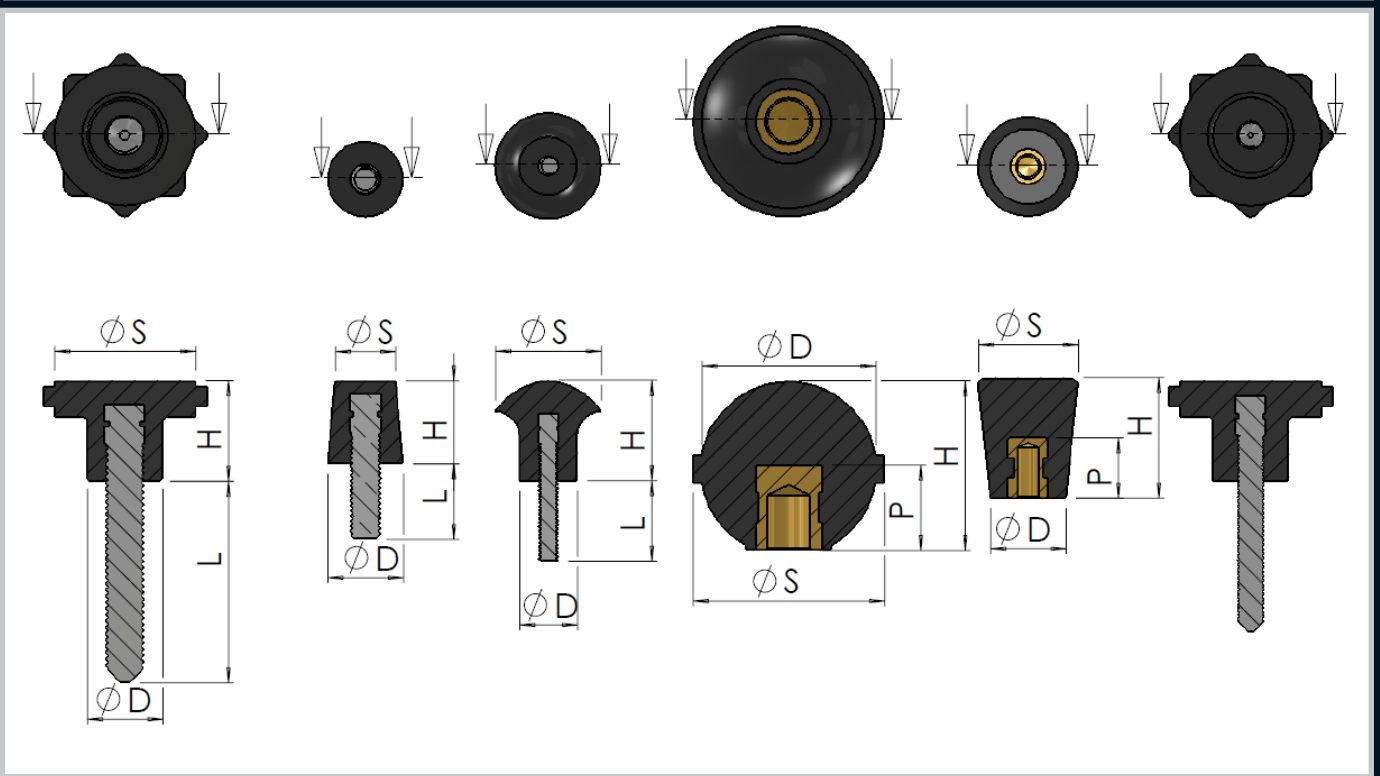


Enclosures
Hinges
Locks
Handles
Accessories
Rotary Operating Handles
Insulators
Transformer Equipment
Index



Part Number	Type	Thread Size (mm)	Recommended Torque (N.m)	H (mm)	D (mm)	Shank Diameter S (mm)	Stud Length L (mm)	Insert depth P (mm)	Stud/Insert
020-329	K4	0,7	2	18	12/20	22	15	10	M4
050-239	K6 x 30	1	3	20	15	28	30	-	M6
050-232	K8 x 40	1,25	4	20	15	28	40	-	M8
050-301	K8 x 50	1,25	4	20	15	28	50	-	M8
050-311	K6	1	3	24	15	20	-	12	M6
050-249	K10	1,5	5	34	34	38	-	17	M10