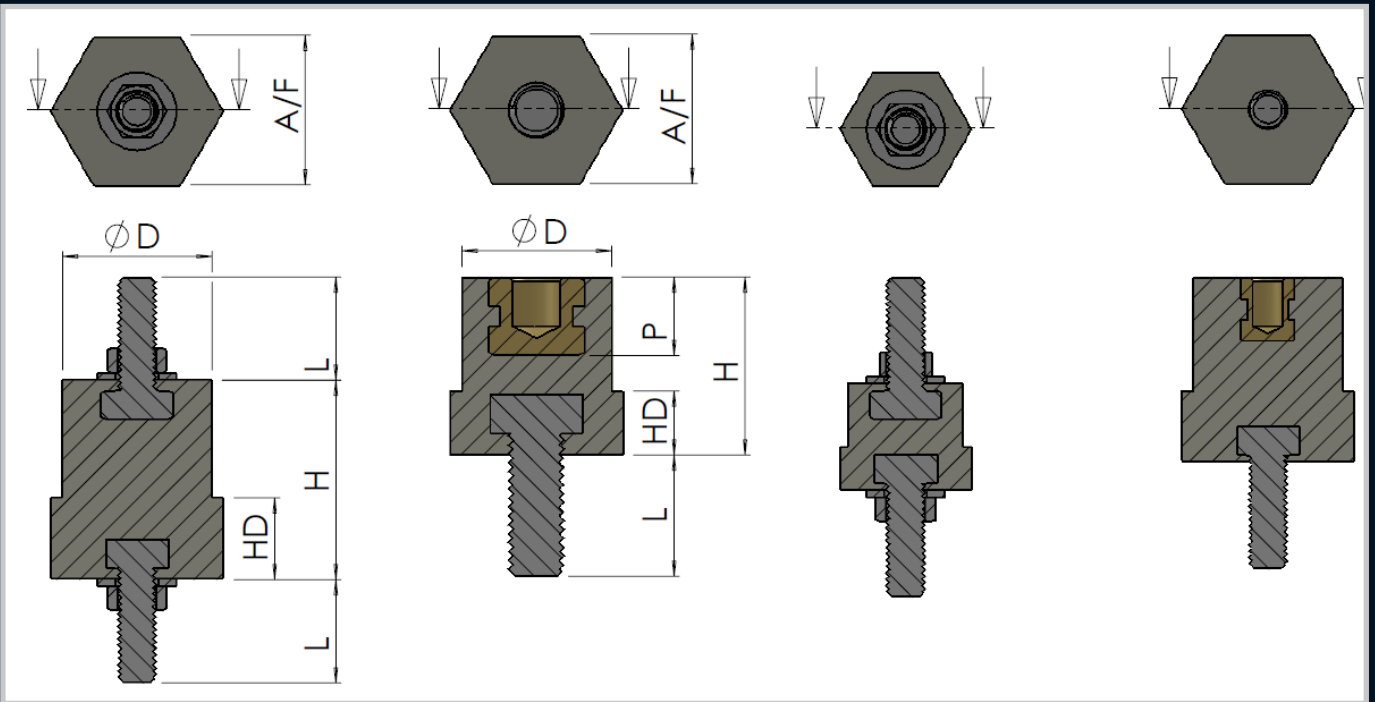
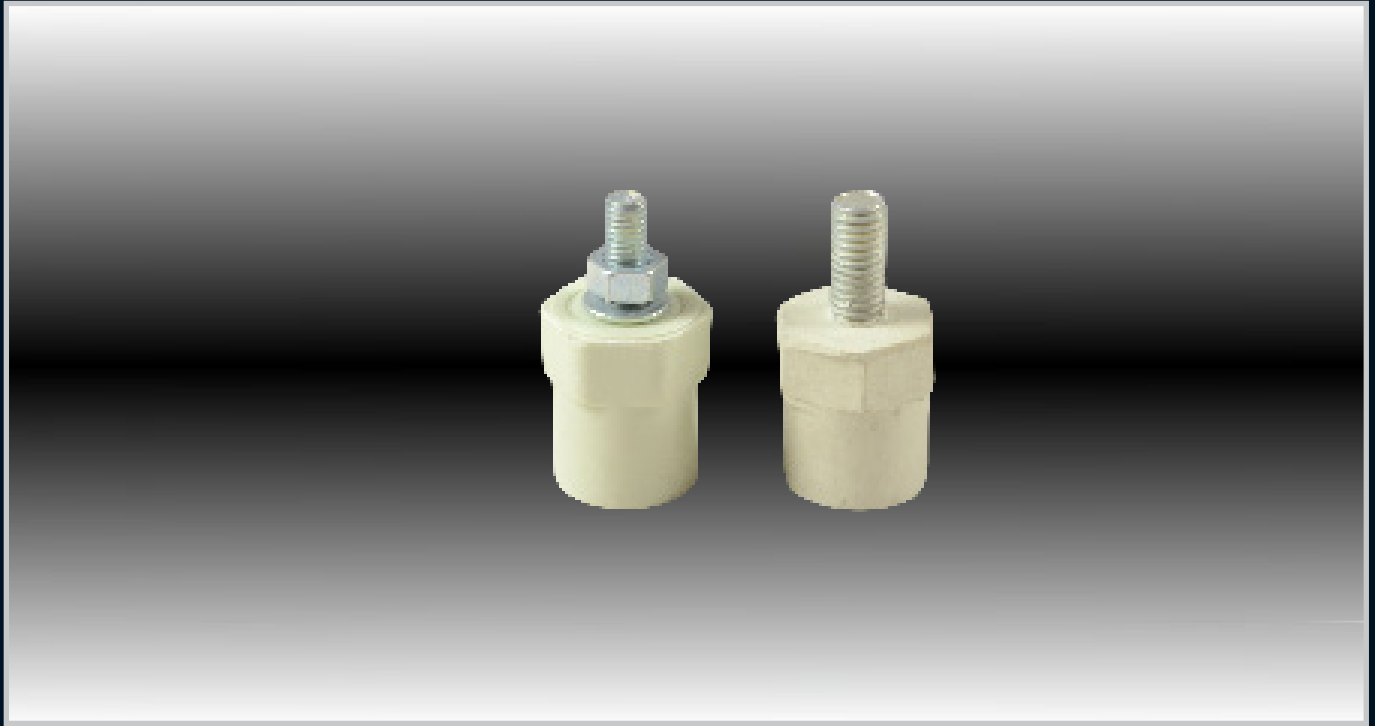


Enclosures
Hinges
Locks
Handles
Accessories
Rotary Operating Handles
Insulators
Transformer Equipment
Index



Part Number	Type	Thread Size (mm)	Recommended Torque (N.m)	H (mm)	D (mm)	Hex Depth HD (mm)	Stud Length L (mm)	Insert Depth P (mm)	Across Flats (mm)	Stud/Insert
050-095	HPL-6W	1	6	20	20	10	15	10	21	M6
050-098	HPL-6/8	1/ 1,25	6 / 10	25	20	10	17	11	21	M8 / M8
050-092	HL-5	0,8	4	15	15	6	15	-	16	M5
050-094	HL-6W	1	6	28	20	6	15	-	21	M6