

6

ROTARY HANDLES

CATALOGUE EDITION 5

Enclosures

The Allbro Rotary Handle has developed a reputation by various industries for being strong, reliable and safe. Tested, designed and built with the environment and operator in mind. It is used to replace many flawed alternative handles on the market.

There are 2 types of Rotary Handles:

Hinges

1) **MCCB Mount Rotary Handle:** Mount the handle on MCCB and cut out the opening in the panel door.

2) **Shaft Rotary Handle:** Mount the base the MCCB and handle on the panel door. The door cannot be opened when the handle is on the "ON" position.

Locks



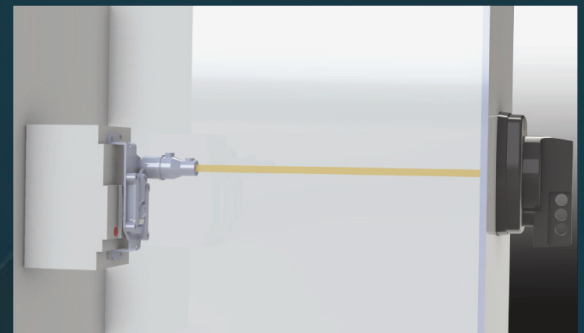
Handles



Accessories

Main Significance of Rotary Handles:

- **Extended shaft clearance between MCCB & Operator:** Different shaft lengths and sizes are available for appropriate fitment between MCCB and panel doors.



Rotary Operating Handles

- **Trip, Reset, On and Off Visual Indication:** The Rotary handle will visually indicate when the MCCB has tripped; when in "ON" and "OFF" position or when in "RESET". The layout of these indications makes for the operators eye to quickly note the MCCB position.



Insulators

Transformer Equipment

Index

• **Lock-Out facility:** The rotary handles have the capability to allow for multiple pad locks to be fitted whilst the handle is in the “OFF” position. This prevents any user from switching the handles on whilst there is maintenance taking place.



• **Dust Ingress Protection:** Our handles have effectively been designed and tested to limit dust entering into the panel via the handles system fitment to the MCCB; maintaining a designated IP50 without an additional gasket. Should water ingress protection be required, an optional gasket can be fitted raising the IP level to IP55.



- IP50 without gasket
- IP55 with gasket (gasket is an optional extra)

Enclosures

Hinges

Locks

Handles

Accessories

Rotary Operating Handles

Insulators

Transformer Equipment

Index

Enclosures

Hinges

Locks

Handles

Accessories

Rotary Operating
Handles

Insulators

Transformer
Equipment

Index

Reliable and strong material.
Tried and tested multiple switching

Black or Grey option
handle colour

Rotary handles are
pad-lockable. Lockout
device can be fitted for
additional 10 to 14 padlocks

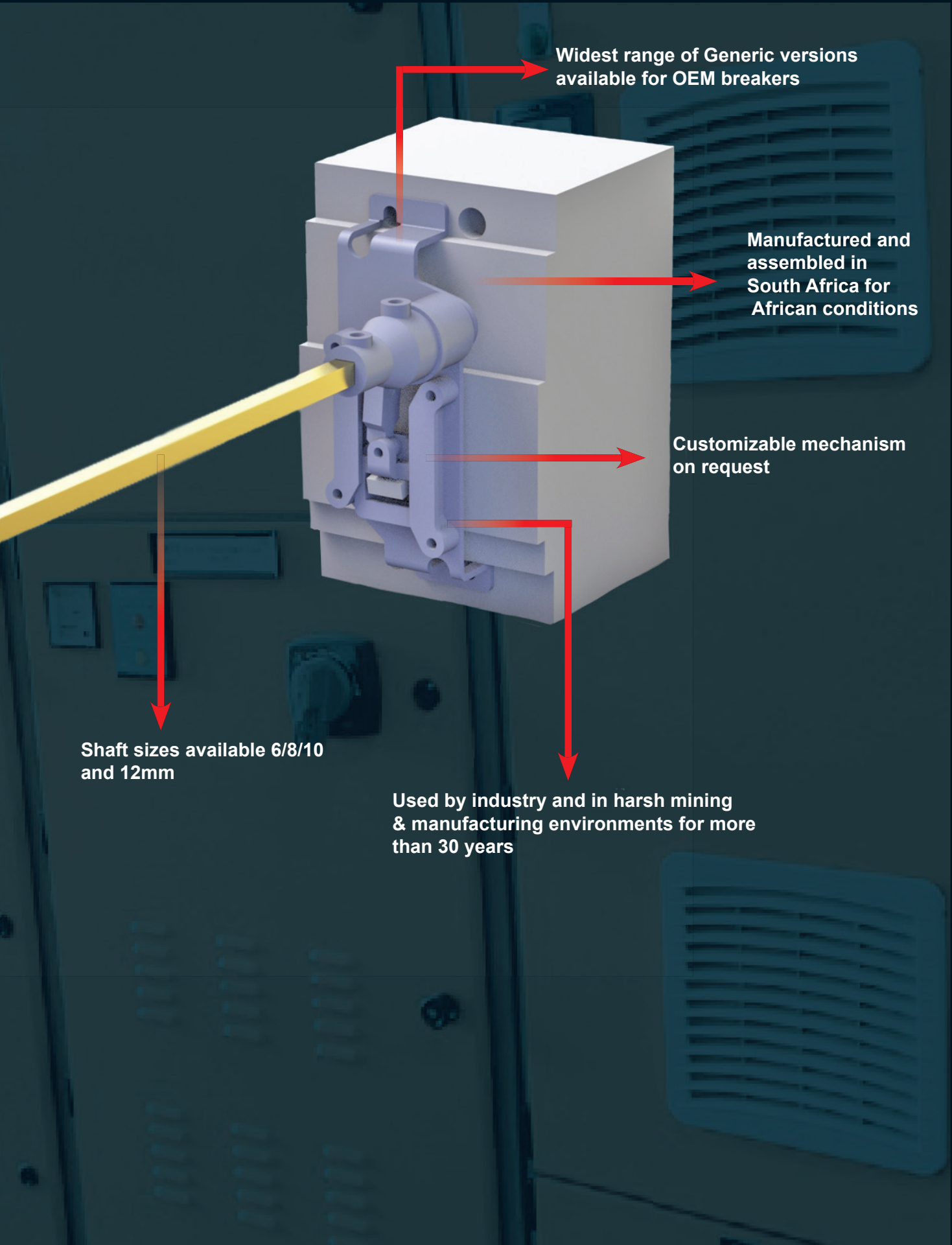
Replacement parts
available

Interlock standard but
customizable on request

Long handle option for large
breaker switching

IP50 standard protection
rating (IP65 with approved
seal on request)





Widest range of Generic versions available for OEM breakers

Manufactured and assembled in South Africa for African conditions

Customizable mechanism on request

Shaft sizes available 6/8/10 and 12mm

Used by industry and in harsh mining & manufacturing environments for more than 30 years

Enclosures

Hinges

Locks

Handles

Accessories

Rotary Operating Handles

Insulators

Transformer Equipment

Index



CBI GLOBAL RANGE				
MCCB Part Number	Range	Allbro Part Number	Description	CBI Part Number
G37D	12-125A	040-826	SB1/040-826	12CBI.4045
F37D	150-250A	040-826	SB1/040-826	12CBI.4045
K50D	250-400A	040-827	040-827/CM-DH400	12CBI.4245
L65D	500-800A	040-805L	MF/040-805L	12CBI.4445
N65D	1000-1200A	040-828	040-828/CM-DH1200	12CBI.4645

CBI M RANGE				
MCCB Part Number	Range	Allbro Part Number	Description	CBI Part Number
G15D	16-125A	040-802	MC/040-802	12MEC.1045
G25D	16-125A	040-802	MC/040-802	12MEC.1045
G35D	16-100A	040-802	MC/040-802	12MEC.1045
F15D	150-250A	040-803	MD/040-803	12MEC.1145
F25D	150-250A	040-803	MD/040-803	12MEC.1145
F35D	150-250A	040-803	MD/040-803	12MEC.1145
F65DV	20-25/175-250A	040-803	MD/040-803	12MEC.1145
K25/35/50D	250-400-630A	040-804	ME/040-804	12MEC.0645
K35/65DE	200-400A	040-804	ME/040-804	12MEC.0645
K50/70DE	300-630A	040-804	ME/040-804	12MEC.0645
L35/50/70DE	400-800A	040-805	MF/040-805	12MEC.0845
N85DE	1000-1600A	040-806	MG/040-806	12MEC.0945

CBI HYD RANGE				
MCCB Part Number	Range	Allbro Part Number	Description	CBI Part Number
JSO/J25D	20-250A	040-821	CB/040-821	4470076
L20/40B	100-600A	ON REQUEST	-	12CBI.3745
M25/35/50B	700-830A	ON REQUEST	-	4470121

Enclosures
Hinges
Locks
Handles
Accessories
Rotary Operating Handles
Insulators
Transformer Equipment
Index

MITSUBISHI 2019				
MCCB Part Number	Range	Allbro Part Number	Description	CBI Part Number
NF63HVA	10-63A	040-802	MC/040-802	12MEC.1045
NF125SVA/HVA	16-125A	040-802	MC/040-802	12MEC.1045
NF250CVA/SVA/HVA	125-250A	040-803	MD/040-803	12MEC.1145
NF125/160/250HGVA	20-25/175-250A	040-803	MD/040-803	12MEC.1145
NF400CWA/SWA/HEW	200-400A	040-804	ME/040-804	12MEC.0645
NF630SWA/SEW/HEW	300-630A	040-804	ME/040-804	12MEC.0645
NF800CEW/SEW/HEW	400-800A	040-805	MF/040-805	12MEC.0845
NF1000/1250/1600SEW	1000-1600A	040-806	MG/040-806	12MEC.0945

MITSUBISHI 2017 (VA RANGE WAS SWA FROM NF63 TO NF250)				
MCCB Part Number	Range	Allbro Part Number	Description	CBI Part Number
NF63HWA	10-63A	040-802	MC/040-802	12MEC.1045
NF125CWA/SWA/HWA	16-125A	040-802	MC/040-802	12MEC.1045
NF250CWA/SWA/HWA	125-250A	040-803	MD/040-803	12MEC.1145
NF125/160/250GWA/HGWA	20-25/175-250A	040-801	MB/040-801	12MEC.1045
NF400CWA/SWA/HEW	200-400A	040-804	ME/040-804	12MEC.0645
NF630SWA/SEW/HEW	300-630A	040-804	ME/040-804	12MEC.0645
NF800CEW/SEW/HEW	400-800A	040-805	MF/040-805	12MEC.0845
NF1000/1250/1600SEW	1000-1600A	040-806	MG/040-806	12MEC.0845



MCCB Part Number	Range	Allbro Part Number	Description
NS80	80A	040-840	GA/040-840
NS100, NS160, NS250	100A-250A	040-841	GB/040--841
NS400, NS630	400A	040-842	GC/040-842
NS1600	1600A	040-843	GD/040-843

RANGE NSX			
MCCB Part Number	Range	Allbro Part Number	Description
NSX80	80A	040-840	GA/040-840
NSX100, NSX160, NSX250	100A-250A	040-841	GB/040-841
NSX400, NSX630	400A	040-842	GC/040-842
NSX1600	1600A	040-843	GD/040-843
LV429502	NSX100/250 SCHNEIDER BASE	040-400	MG-1250
LV432498	NSX400/630 SCHNEIDER BASE	040-401	MG-4630

Enclosures

Hinges

Locks

Handles

Accessories

Rotary Operating Handles

Insulators

Transformer Equipment

Index



RANGE SENTRON & SIRIUS				
MCCB Part Number	Range	Allbro Part Number	Description	Operation
VL160X	160A	040-810	SA/040-810	STANDARD
VL160/VL250	160-250A	040-811	SB/040-811	STANDARD
VL630	630A	040-812	SC/040-812	STANDARD
VL400	400A	040-813	SD/040-813	STANDARD
3RV1021	-	040-830	SAS/040-830	DOOR OPENS AT RESET POSITION
3RV1031	-	040-831	SBS/040-831	DOOR OPENS AT RESET POSITION
3RV1041	-	040-832	SCS/040-832	DOOR OPENS AT RESET POSITION
3RV1021	-	040-830SP	SAS/040-830SP	DOOR OPENS AT OFF POSITION
3RV1031	-	040-831SP	SBS/040-831SP	DOOR OPENS AT OFF POSITION
3RV1041	-	040-832SP	SCS/040-832SP	DOOR OPENS AT OFF POSITION

RANGE 3RV 13 CB'S			
MCCB Part Number	Range	Allbro Part Number	Description
3RV13-5LM10	20A	040-814	SE/040-814
3RV13-7AN10	100A	040-815	SF/040-815
3RV13-73GL10	400A	040-816	SG/040-816
3RV13-837JN10	630A	040-817	SH/040-817

RANGE 3VT MCB'S			
MCCB Part Number	Range	Allbro Part Number	Description
3VT1 7-2DE	160A	040-818	SI/040-818
3VT2 725	250A	040-819	SJ/040-819
3VT3 763	630A	040-833	SK/040-833
3VT4 710/716	1000/1600A	040-834	SL/040-834

RANGE 3KL SERIES CFS			
MCCB Part Number	Range	Allbro Part Number	Description
12SIE.5051	6mm SHAFT	040-835	SIA/040-835 (M6 SQ)
12SIE.5251	8mm SHAFT	040-836	SIB/040-836 (M8 SQ)
12SIE.5551	10mm SHAFT	040-837	SIC/040-837 (M10 SQ)
12SIE.6151	12mm SHAFT	040-838	SID/040-838 (M12 SQ)

Enclosures
Hinges
Locks
Handles
Accessories
Rotary Operating Handles
Insulators
Transformer Equipment
Index



MITSUBISHI				
MCCB Part Number	Range	Allbro Part Number	Description	CBI Part Number
NF125/160/250 (SGW/HGW)	125A-250A	040-801	MB/040-801	12MEC.1245
NF160/250 & NV250 (CWA/SWA/HWA)	160A-250A	040-803	MD/040-803	12MEC.1145
NF63/NV63 (SWA/HWA)	63A	040-802	MC/040-802	12MEC.1045
NF125 & NV125 (CWA/SWA/HWA)	125A	040-803	MD/040-803	12MEC.1145
NF400/630 & NV400/630 (CPA/SPA/CEP/SEP/HEP)	400A-630A	040-804	ME/040-804	12MEC.0645
NF800/NV800 (CPA/SPA/CEP/SEP/HEP)	800A	040-805	MF/040-805	12MEC.0845
NF1000SS & NF1250SS	1000A-1250A	040-806	MG/040-806	12MEC.0945



Allbro Part Number	Description
040-808	A120.ABB.T1-2
040-848	T4-5 Rotary Handle 1SDA054931R
040-846	A120.ABB.T6
040-851	A120.ABB.T7

Enclosures

Hinges

Locks

Handles

Accessories

Rotary Operating Handles

Insulators

Transformer Equipment

Index

Enclosures

Hinges

Locks

Handles

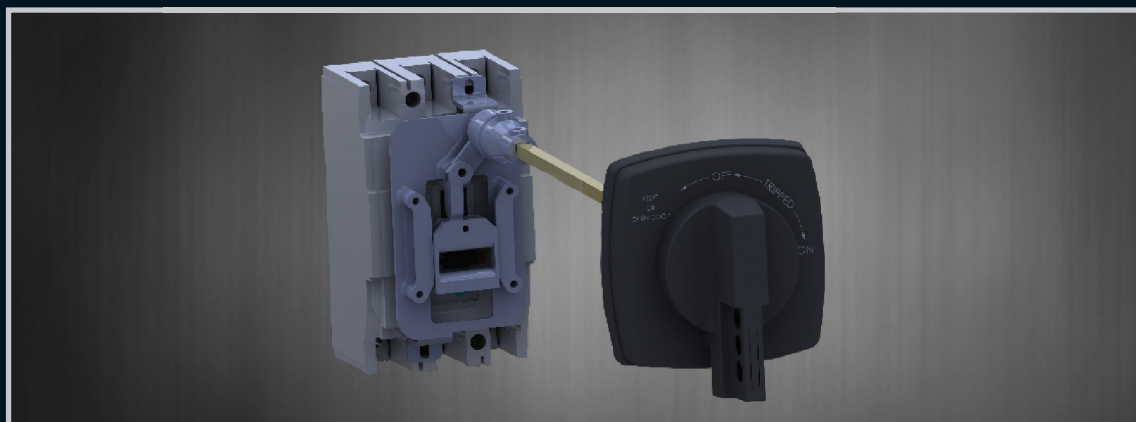
Accessories

Rotary Operating
Handles

Insulators

Transformer
Equipment

Index



TERASAKI			
MCCB Part Number	Range	Allbro Part Number	Description
E160-SJ	160A	040-852	TERASAKI E160A SMALL
E250-SJ	250A	040-853	TERASAKI E250A LARGE
XV800-NE	800A	040-825 CF (NEW)	TERASAKI 800A
S1250-GE	1250A	ON REQUEST	TERASAKI 1250A



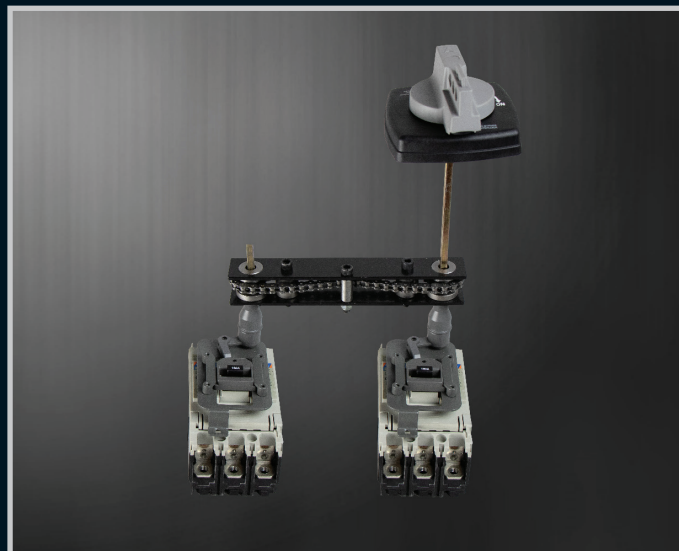
WINBREAK			
MCCB Part Number	Range	Allbro Part Number	Description
CSC4H4-250A	250A	040-802	MC/040-802
CSC5H3-400A	400A	040-813M	SD/040-813M
CSE1S125FMU3P-16A	16A	040-814M	SE/040-814M
CSC3H3-125A	125A	040-802M	MC/040-802M
CSE1N125ATM3P-63A	63A	040-814M	SE/040-814M
CSE1N125ATM3P-40A	40A	040-814M	SE/040-814M
CSE1M125ATM3P-63A	63A	040-814M	SE/040-814M
CSE3S400ATM3P-320A	320A	040-813M1	SD/040-813M1
CSC654-800A	800A	040-805	MF/040-805 LONG ARM
CSE3N400ATM3P-320A	320A	040-813M1	SD/040-813M1

Accessories

SHAFTS	
Allbro Part Number	Description
030-025	OPERATING SHAFT ASSEMBLY (6mm)
030-026	OPERATING SHAFT ASSEMBLY (10mm)
030-026/EXT	OPERATING SHAFT ASSEMBLY (10mm) Extended
GROOVED SHAFTS	
002-131	GROOVED SHAFT ASSEMBLY (6mm)
002-132	GROOVED SHAFT ASSEMBLY (8mm)
002-133	GROOVED SHAFT ASSEMBLY (10mm)
002-134	GROOVED SHAFT ASSEMBLY (12mm)

HANDLES	
Allbro Part Number	Description
007-122RH	SMALL R HANDLE GASKET
030-020	SMALL GREY HANDLE
030-027	LARGE GREY HANDLE
030-067	ROTARY HANDLE ASSEMBLY SMALL BLACK
030-067B/GREEN	ROTARY HANDLE ASSEMBLY SMALL BLACK
030-068	ROTARY HANDLE ASSEMBLY LARGE BLACK
030-027B/GREEN	ROTARY HANDLE ASSEMBLY LARGE BLACK

TWIN DRIVE MECHANISM	
Allbro Part Number	Description
030-408	6mm TWIN DRIVE
030-049	10mm TWIN DRIVE
030-050	12mm TWIN DRIVE



Enclosures

Hinges

Locks

Handles

Accessories

Rotary Operating
Handles

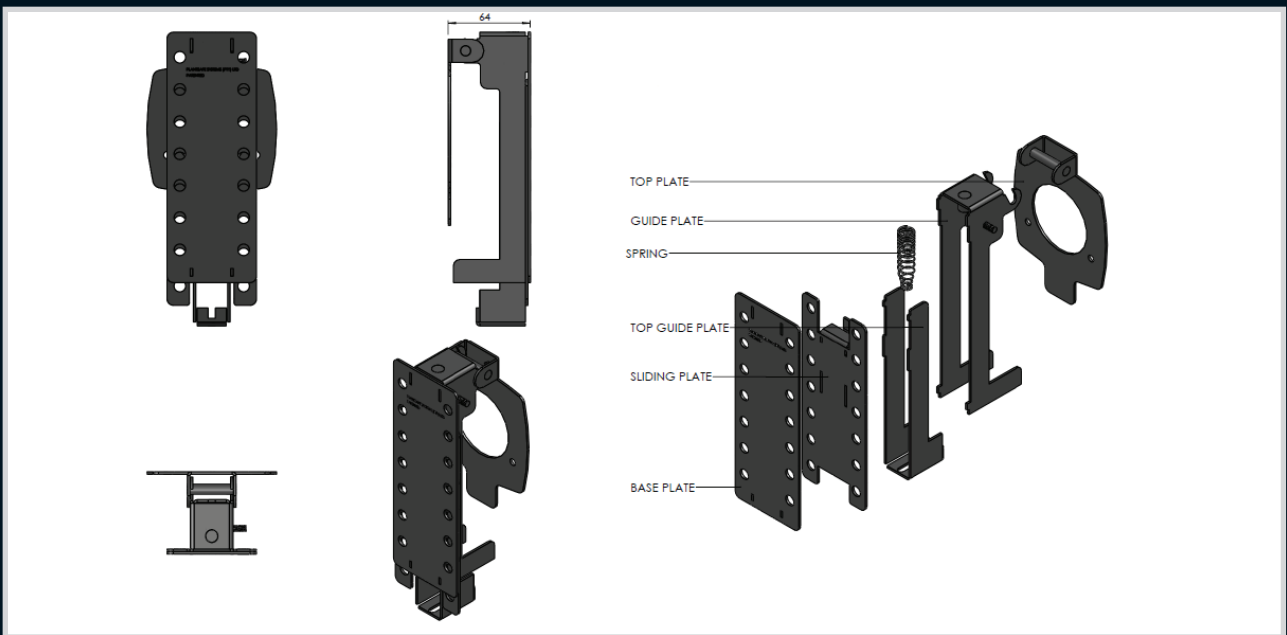
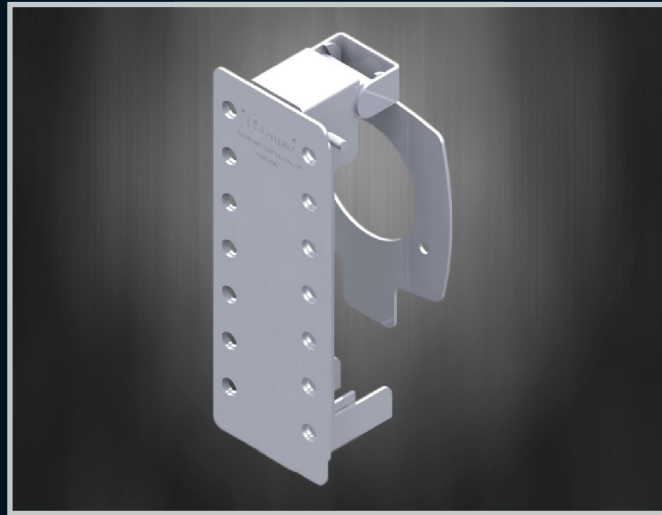
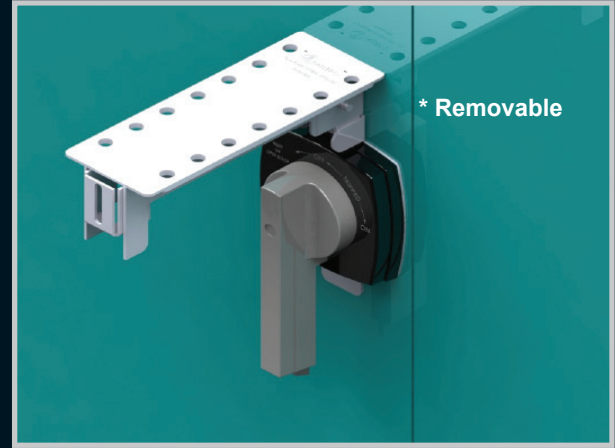
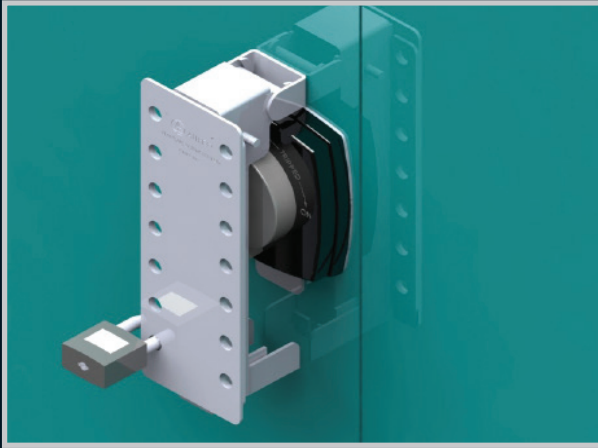
Insulators

Transformer
Equipment

Index

Additional lockout system used in conjunction with Allbro Rotary handles

Size - Long



- Robust stainless steel Lockout device for door- mounted handle types
- Consist of a robust stainless steel kit to lockout the handle to prevent any tampering
- 14 Padlocks for long handle
- Can be retro-fitted on existing or new installations as a removable or permanent fixture

Enclosures

Hinges

Locks

Handles

Accessories

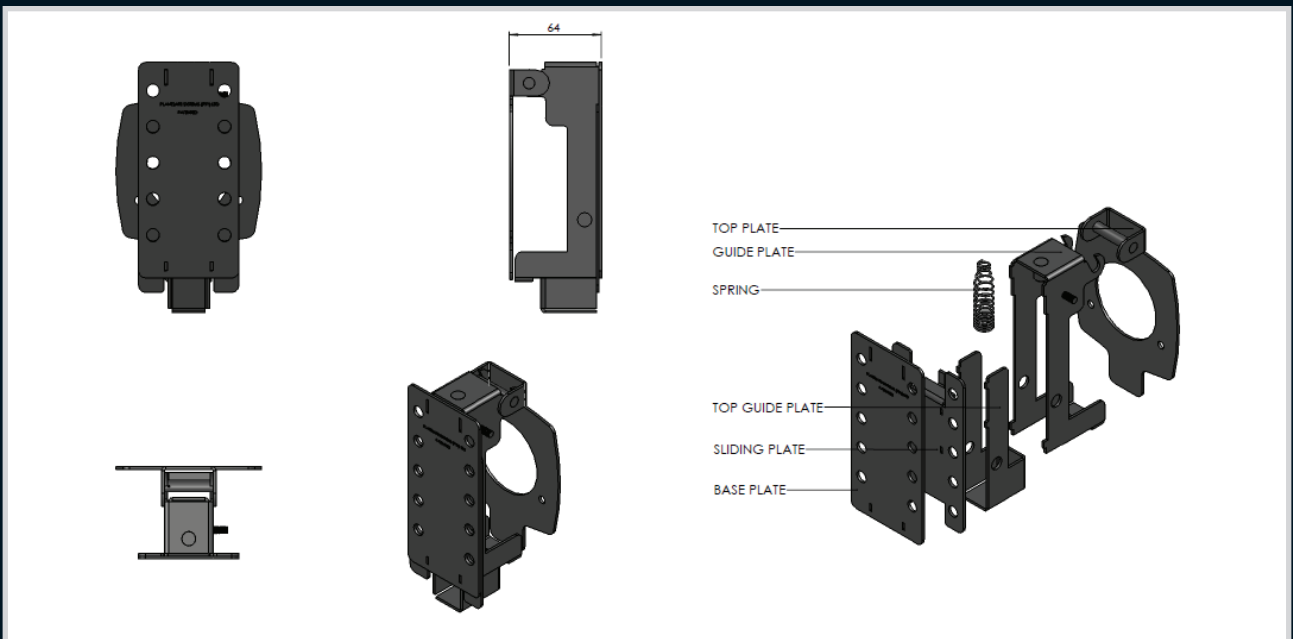
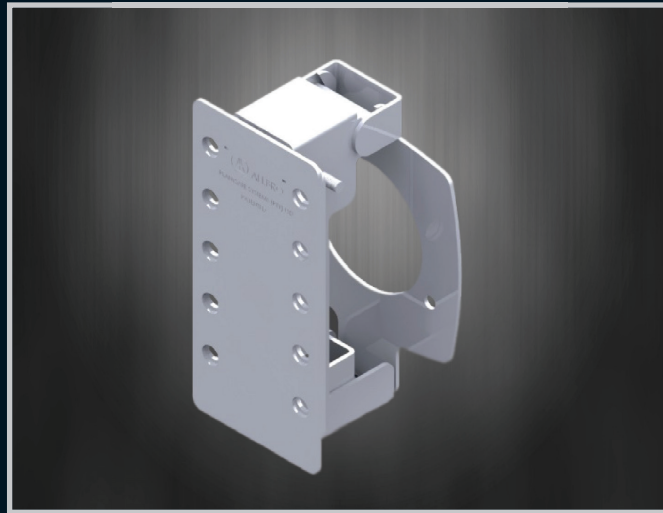
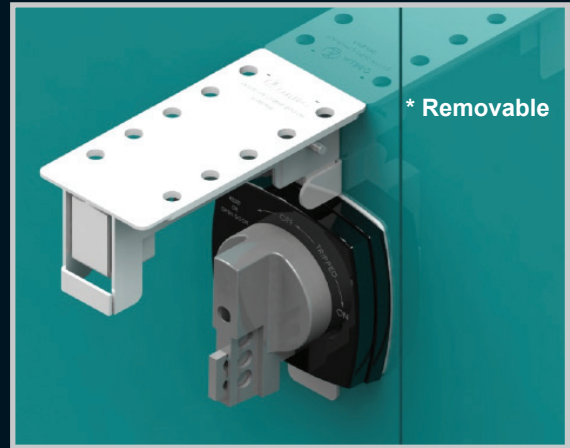
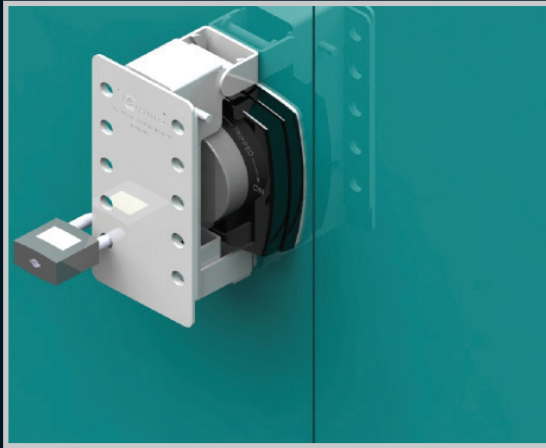
Rotary Operating
Handles

Insulators

Transformer
Equipment

Index

Size - Short



Part Number	Description
1011109	Plantsafe Handle Small
1011110	Plantsafe Handle Large

Enclosures

Hinges

Locks

Handles

Accessories

Rotary Operating
Handles

Insulators

Transformer
Equipment

Index

Notes:

