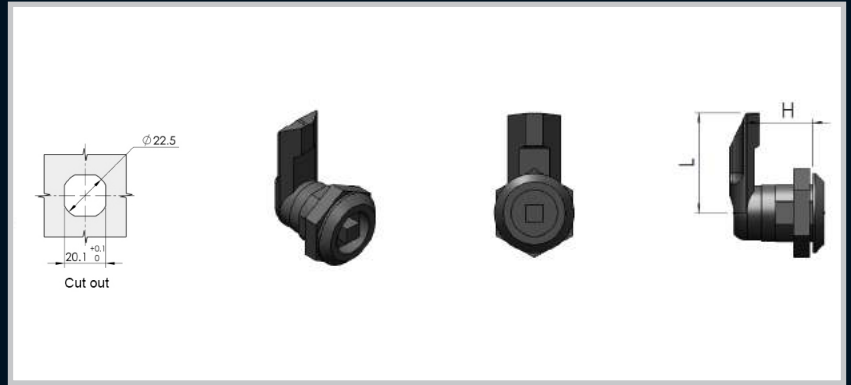


Enclosures

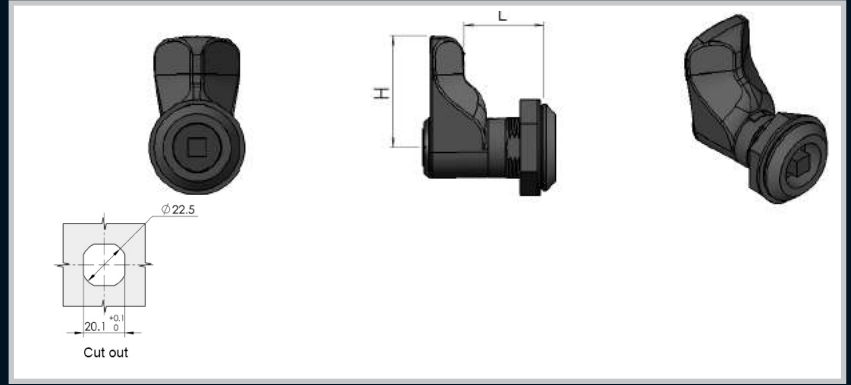
Hinges



Locks

Part Number	Material	Finish	Insert Type	Insert size (mm)	H (mm)	L (mm)
22.1.018P	Polyamide	Black	Square	6	18	35
22.1.015P	Polyamide	Black	Square	6	15	40

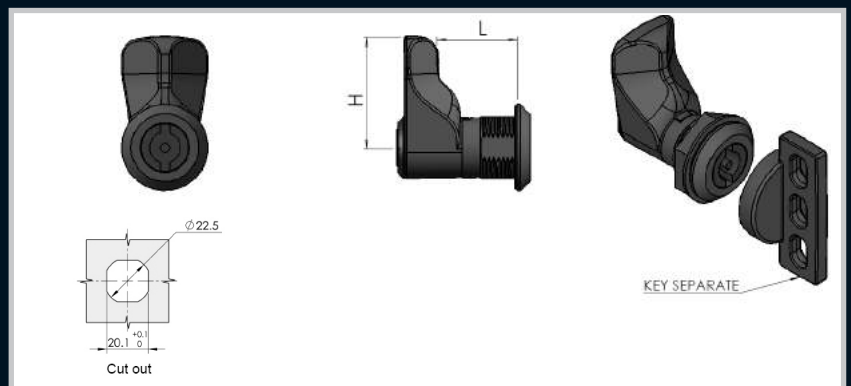
Handles



Accessories

Part Number	Material	Finish	Insert Type	Insert size (mm)	H (mm)	L (mm)
22.1.026P	Polyamide	Black	Square	6	36	26

Rotary Operating Handles

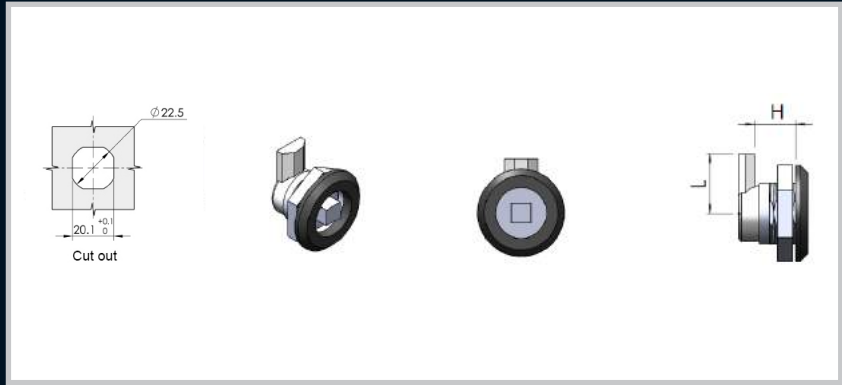


Insulators

Part Number	Material	Finish	Insert Type	Insert size (mm)	H (mm)	L (mm)
22.1.026P-DB	Polyamide	Black	Double Bit	6	36	26

Transformer Equipment

Index

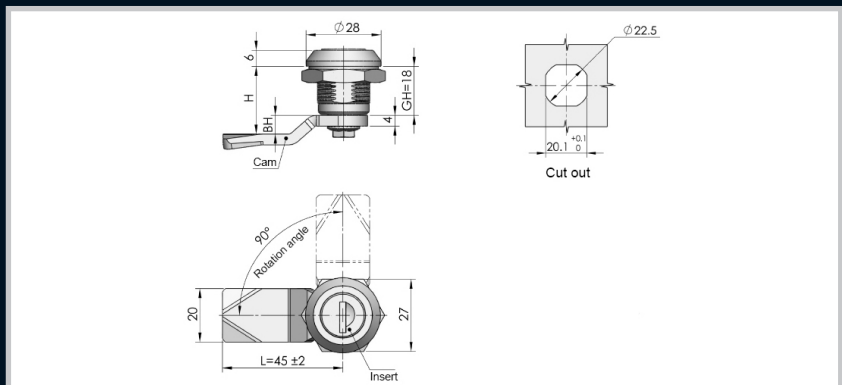


Remarks:
For drive options refer to pages 135,136,137

Part Number	Material	Finish	Insert Type	Insert size (mm)	H (mm)	L (mm)
22.1.12.06	ZDC	Black powder coated	Square	6	12	20



Part Number	Material	Finish	Insert Type	Insert size (mm)	H (mm)	L (mm)
22.1.18B/B6.18	ZDC	Black powder coated	Square	6	18	45
22.1.18B/B6.20	ZDC	Black powder coated	Square	6	20	45
22.1.18B/B6.22	ZDC	Black powder coated	Square	6	22	45
22.1.18B/B6.25	ZDC	Black powder coated	Square	6	25	45
22.1.18B/B6.36	ZDC	Black powder coated	Square	6	36	45
22.1.18B/B6.41	ZDC	Black powder coated	Square	6	41	45
22.1.18B/B6.47	ZDC	Black powder coated	Square	6	47	45
22.1.18B/B6.50	ZDC	Black powder coated	Square	6	50	45



Part Number	Material	Finish	Insert Type	Insert size (mm)
22.1.25.18B/K	ZDC	Black powder coated	Slotted	-

Enclosures

Hinges

Locks

Handles

Accessories

Rotary Operating
Handles

Insulators

Transformer
Equipment

Index

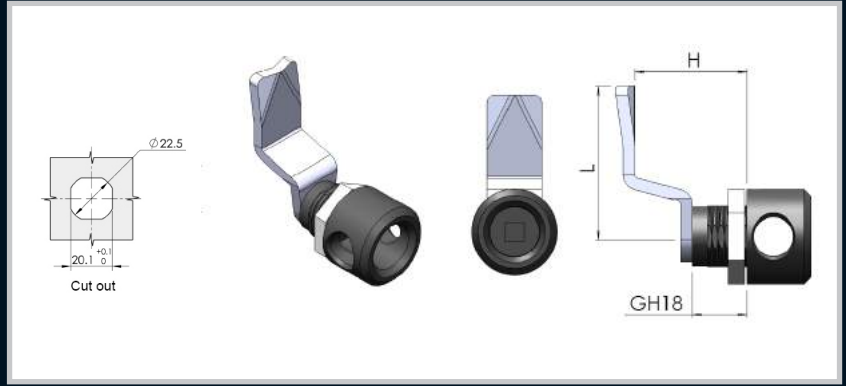
Locks

Quarter Turns - 22 Series



Enclosures

Hinges



Locks

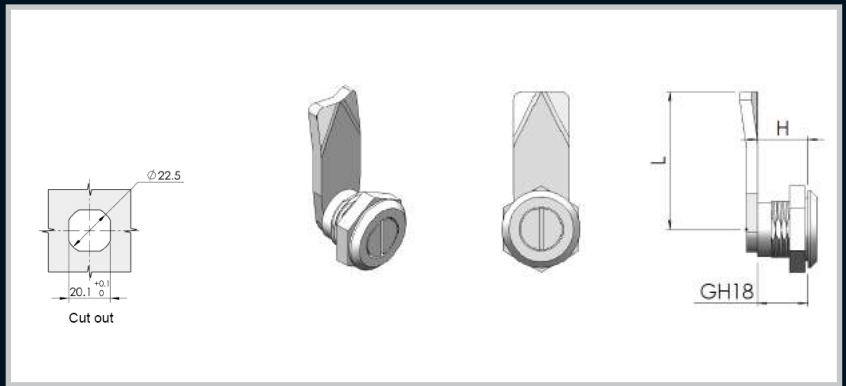
Remarks:
For drive options refer to pages 135,136,137

Part Number	Material	Finish	Insert Type	Insert size (mm)	H (mm)	L (mm)
22.3.18B/B6.18	ZDC	Black Powder Coated	Square	6	18	45
22.3.18B/B6.20	ZDC	Black Powder Coated	Square	6	20	45
22.3.18B/B6.22	ZDC	Black Powder Coated	Square	6	22	45
22.3.18B/B6.25	ZDC	Black Powder Coated	Square	6	25	45
22.3.18B/B6.36	ZDC	Black Powder Coated	Square	6	36	45
22.3.18B/B6.41	ZDC	Black Powder Coated	Square	6	41	45
22.3.18B/B6.47	ZDC	Black Powder Coated	Square	6	47	45
22.3.18B/B6.50	ZDC	Black Powder Coated	Square	6	50	45

Handles

Accessories

Rotary Operating Handles



Insulators

Remarks:
Available in chrome and black.
For drive options refer to pages 135,136,137

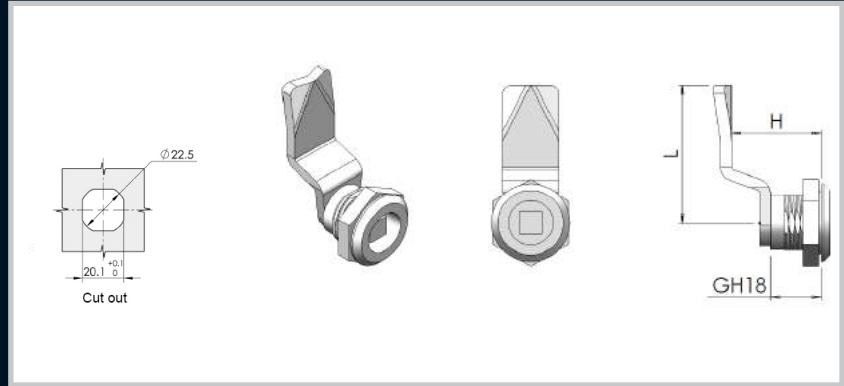
Part Number	Material	Finish	Insert Type	Insert size (mm)	H (mm)	L (mm)
22.1.18B/CS.18	ZDC	Chrome	Slotted	-	18	45
22.1.18B/CS.20	ZDC	Chrome	Slotted	-	20	45
22.1.18B/CS.22	ZDC	Chrome	Slotted	-	22	45
22.1.18B/CS.25	ZDC	Chrome	Slotted	-	25	45
22.1.18B/CS.36	ZDC	Chrome	Slotted	-	36	45
22.1.18B/CS.41	ZDC	Chrome	Slotted	-	41	45
22.1.18B/CS.47	ZDC	Chrome	Slotted	-	47	45
22.1.18B/CS.50	ZDC	Chrome	Slotted	-	50	45

Transformer Equipment

Index

Locks

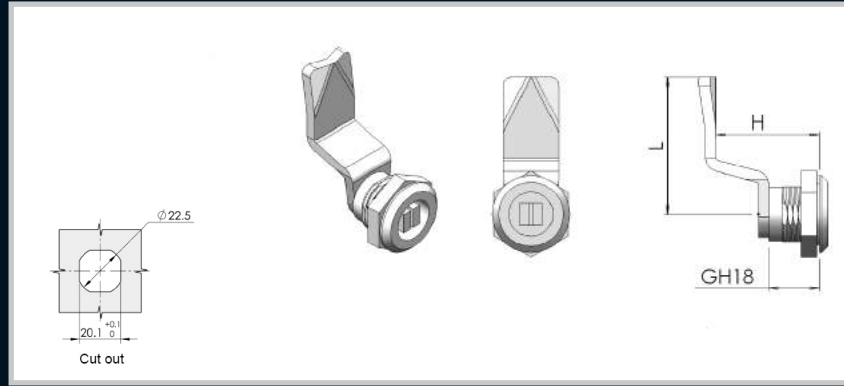
Quarter Turns - 22 Series



Remarks:

Available in chrome and black.
For drive options refer to pages 135,136,137

Part Number	Material	Finish	Insert Type	Insert size (mm)	H (mm)	L (mm)
22.1.18B/C8.18	ZDC	Chrome	Square	6 or 8	18	45
22.1.18B/C8.20	ZDC	Chrome	Square	6 or 8	20	45
22.1.18B/C8.22	ZDC	Chrome	Square	6 or 8	22	45
22.1.18B/C8.25	ZDC	Chrome	Square	6 or 8	25	45
22.1.18B/C8.36	ZDC	Chrome	Square	6 or 8	36	45
22.1.18B/C8.41	ZDC	Chrome	Square	6 or 8	41	45
22.1.18B/C8.47	ZDC	Chrome	Square	6 or 8	47	45
22.1.18B/C8.50	ZDC	Chrome	Square	6 or 8	50	45



Remarks:

Quick assembly with 8mm square drive and coin slot combination.
Available in chrome and black.
For drive options refer to page 135,136,137

Part Number	Material	Finish	Insert Type	Insert size (mm)	H (mm)	L (mm)
22.1.18B/C8S.18	ZDC	Chrome	Square Slotted	8	18	45
22.1.18B/C8S.20	ZDC	Chrome	Square Slotted	8	20	45
22.1.18B/C8S.22	ZDC	Chrome	Square Slotted	8	22	45
22.1.18B/C8S.25	ZDC	Chrome	Square Slotted	8	25	45
22.1.18B/C8S.36	ZDC	Chrome	Square Slotted	8	36	45
22.1.18B/C8S.41	ZDC	Chrome	Square Slotted	8	41	45
22.1.18B/C8S.47	ZDC	Chrome	Square Slotted	8	47	45
22.1.18B/C8S.50	ZDC	Chrome	Square Slotted	8	50	45

Enclosures

Hinges

Locks

Handles

Accessories

Rotary Operating Handles

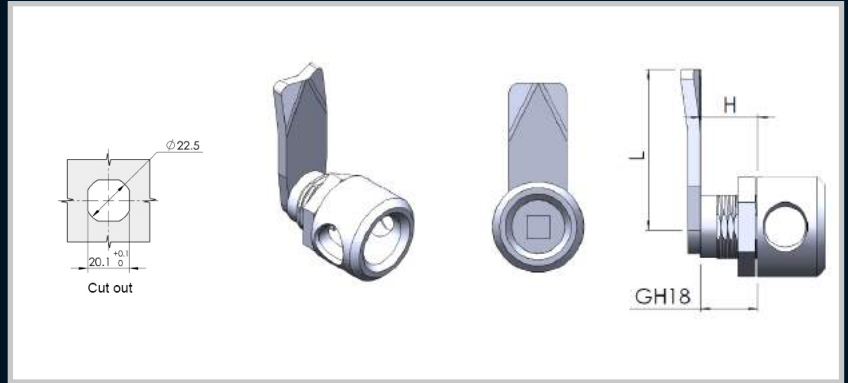
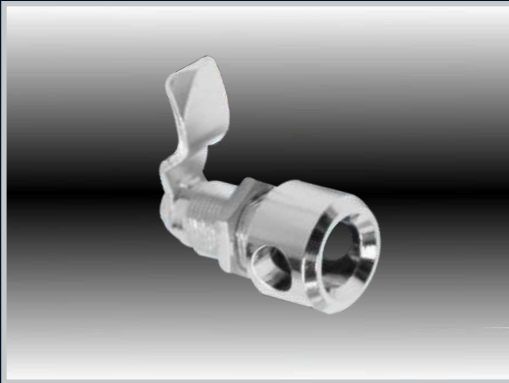
Insulators

Transformer Equipment

Index

Enclosures

Hinges



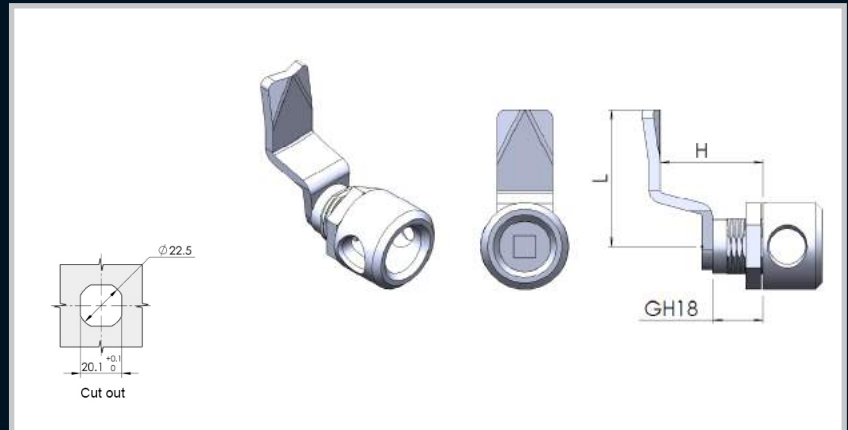
Locks

Remarks:
For drive options refer to pages 135,136,137

Part Number	Material	Finish	Insert Type	Insert size (mm)	H (mm)	L (mm)
22.3.18B/C8.18	ZDC	Chrome	Square	8	18	45
22.3.18B/C8.20	ZDC	Chrome	Square	8	20	45
22.3.18B/C8.22	ZDC	Chrome	Square	8	22	45
22.3.18B/C8.25	ZDC	Chrome	Square	8	25	45
22.3.18B/C8.36	ZDC	Chrome	Square	8	36	45
22.3.18B/C8.41	ZDC	Chrome	Square	8	41	45
22.3.18B/C8.47	ZDC	Chrome	Square	8	47	45
22.3.18B/C8.50	ZDC	Chrome	Square	8	50	45

Handles

Accessories



Rotary Operating Handles

Remarks:
Quick assembly quarter turn with a 8 mm and 6mm slotted drive.
For drive options refer to pages 135,136,137

Part Number	Material	Finish	Insert Type	Insert size (mm)	H (mm)	L (mm)
22.3.18B/SS6.18	Stainless Steel	Natural	Slotted	6	18	45
22.3.18B/SS6.20	Stainless Steel	Natural	Slotted	6	20	45
22.3.18B/SS6.22	Stainless Steel	Natural	Slotted	6	22	45
22.3.18B/SS6.25	Stainless Steel	Natural	Slotted	6	25	45
22.3.18B/SS6.36	Stainless Steel	Natural	Slotted	6	36	45
22.3.18B/SS6.41	Stainless Steel	Natural	Slotted	6	41	45
22.3.18B/SS6.47	Stainless Steel	Natural	Slotted	6	47	45
22.3.18B/SS6.50	Stainless Steel	Natural	Slotted	6	50	45
22.3.18B/SS8.18	Stainless Steel	Natural	Slotted	8	18	45
22.3.18B/SS8.20	Stainless Steel	Natural	Slotted	8	20	45
22.3.18B/SS8.22	Stainless Steel	Natural	Slotted	8	22	45
22.3.18B/SS8.25	Stainless Steel	Natural	Slotted	8	25	45
22.3.18B/SS8.36	Stainless Steel	Natural	Slotted	8	36	45
22.3.18B/SS8.41	Stainless Steel	Natural	Slotted	8	41	45
22.3.18B/SS8.47	Stainless Steel	Natural	Slotted	8	47	45
22.3.18B/SS8.50	Stainless Steel	Natural	Slotted	8	50	45

Insulators

Transformer Equipment

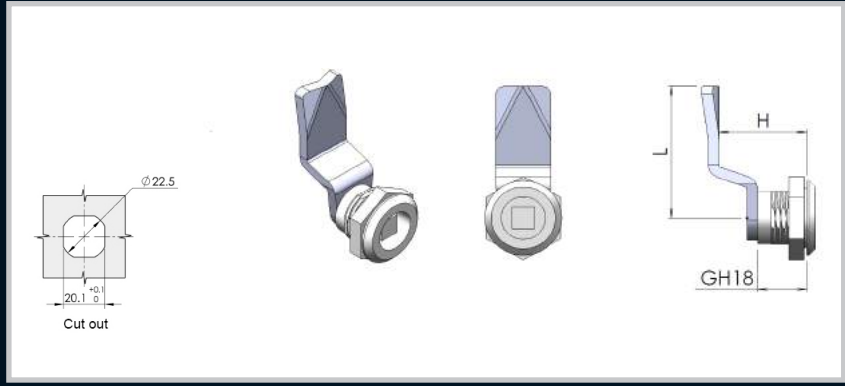
Index

Locks

Quarter Turns - 22 Series



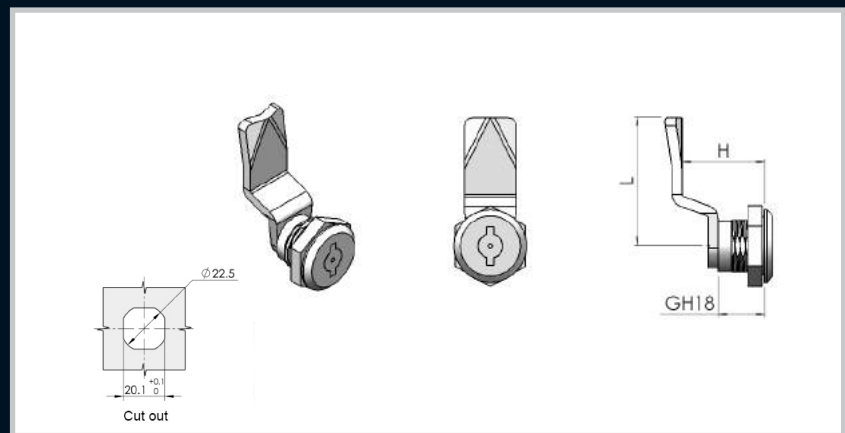
Remarks:
316 Stainless Steel
For drive options refer to pages 135,136,137



Part Number	Material	Finish	Insert Type	Insert size (mm)	H (mm)	L (mm)
22.1.18B/SS6.18	Stainless Steel	Natural	6	Square	18	45
22.1.18B/SS6.20	Stainless Steel	Natural	6	Square	20	45
22.1.18B/SS6.22	Stainless Steel	Natural	6	Square	22	45
22.1.18B/SS6.25	Stainless Steel	Natural	6	Square	25	45
22.1.18B/SS6.36	Stainless Steel	Natural	6	Square	36	45
22.1.18B/SS6.41	Stainless Steel	Natural	6	Square	41	45
22.1.18B/SS6.47	Stainless Steel	Natural	6	Square	47	45
22.1.18B/SS6.50	Stainless Steel	Natural	6	Square	50	45
22.1.18B/SS8.18	Stainless Steel	Natural	8	Square	18	45
22.1.18B/SS8.20	Stainless Steel	Natural	8	Square	20	45
22.1.18B/SS8.22	Stainless Steel	Natural	8	Square	22	45
22.1.18B/SS8.25	Stainless Steel	Natural	8	Square	25	45
22.1.18B/SS8.36	Stainless Steel	Natural	8	Square	36	45
22.1.18B/SS8.41	Stainless Steel	Natural	8	Square	41	45
22.1.18B/SS8.47	Stainless Steel	Natural	8	Square	47	45
22.1.18B/SS8.50	Stainless Steel	Natural	8	Square	50	45



Remarks:
Spring Loaded Quarter Turn Lock IP 65



Part Number	Material	Finish	Insert Type	Insert size (mm)	H (mm)	L (mm)
22.1.18B/C2.18	Chrome	Natural	Double Bit	6	18	45
22.1.18B/C2.20	Chrome	Natural	Double Bit	6	20	45
22.1.18B/C2.25	Chrome	Natural	Double Bit	6	25	45
22.1.18B/C2.30	Chrome	Natural	Double Bit	6	30	45

Enclosures

Hinges

Locks

Handles

Accessories

Rotary Operating Handles

Insulators

Transformer Equipment

Index

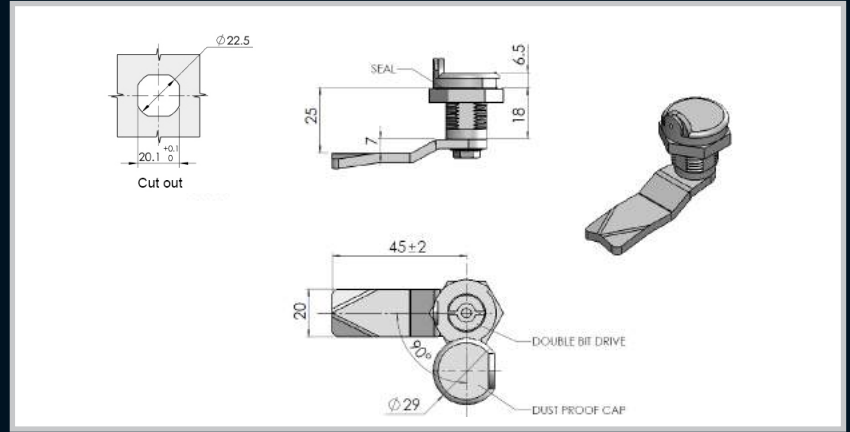
Locks

Quarter Turns - 22 Series



Enclosures

Hinges

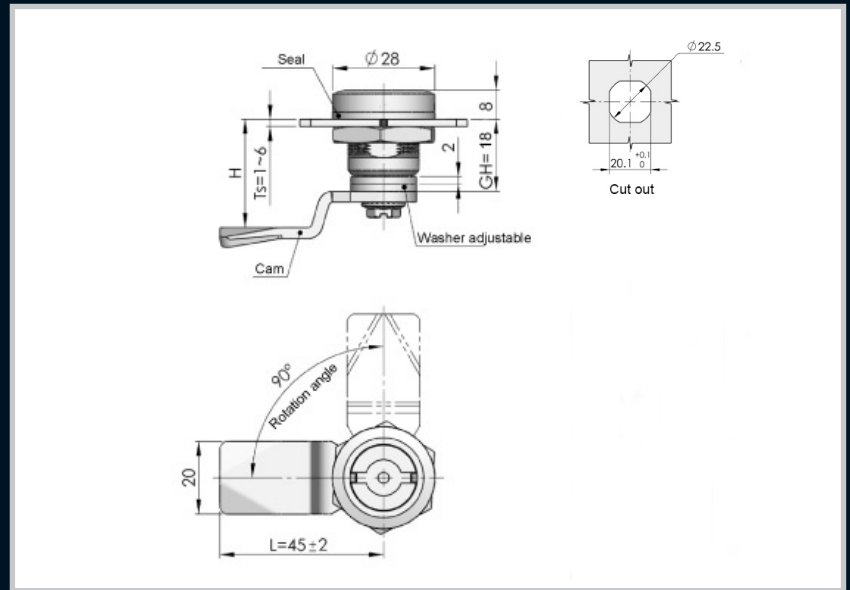


Locks

Part Number	Material	Finish	Insert Type	Insert size (mm)
22.6.18B/C8S.18	Chrome	Natural	Double Bit	8
22.6.18B/C8S.20	Chrome	Natural	Double Bit	8
22.6.18B/C8S.22	Chrome	Natural	Double Bit	8
22.6.18B/C8S.25	Chrome	Natural	Double Bit	8
22.6.18B/C8S.36	Chrome	Natural	Double Bit	8
22.6.18B/C8S.41	Chrome	Natural	Double Bit	8
22.6.18B/C8S.47	Chrome	Natural	Double Bit	8
22.6.18B/C8S.50	Chrome	Natural	Double Bit	8

Handles

Accessories



Rotary Operating Handles

Remarks:
Padlockable version also available.
Please refer to pages 135,136,137 for more drive options.

Insulators

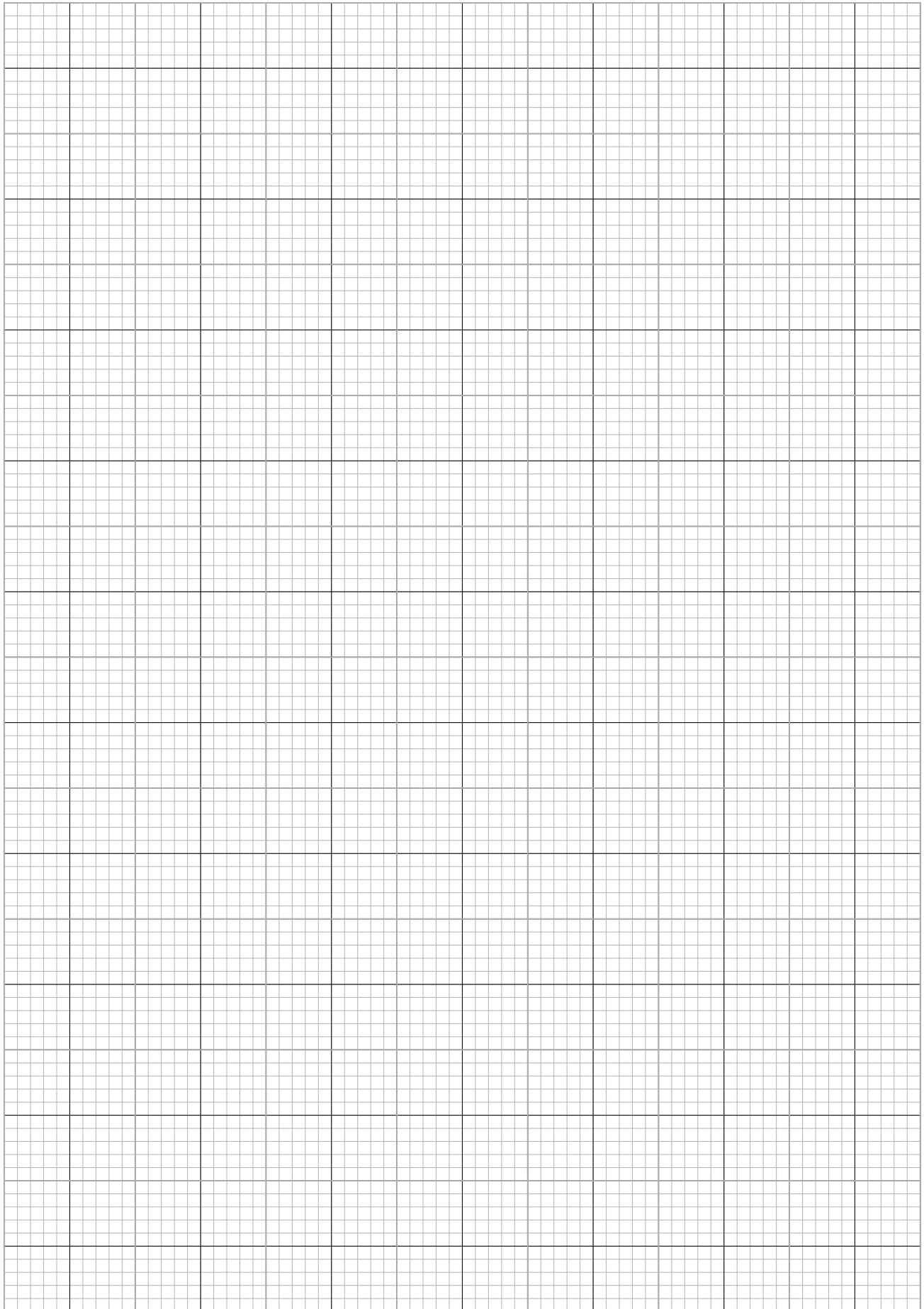
Transformer Equipment

Part Number	Material	Finish	Insert Type	Insert size (mm)
22.1.18B/B4D.20	ZDC	Black P/C	Double Bit	4
22.1.18B/B4D.25	ZDC	Black P/C	Double Bit	4
22.1.18B/B4D.36	ZDC	Black P/C	Double Bit	4
22.1.18B/B4D.41	ZDC	Black P/C	Double Bit	4

Index

Part Number	Material	Finish	Insert Type	Insert size (mm)
22.1.18B/B8T.20	ZDC	Black P/C	Triangular	8
22.1.18B/B8T.25	ZDC	Black P/C	Triangular	8
22.1.18B/B8T.36	ZDC	Black P/C	Triangular	8
22.1.18B/B8T.41	ZDC	Black P/C	Triangular	8

Notes:



Enclosures

Hinges

Locks

Handles

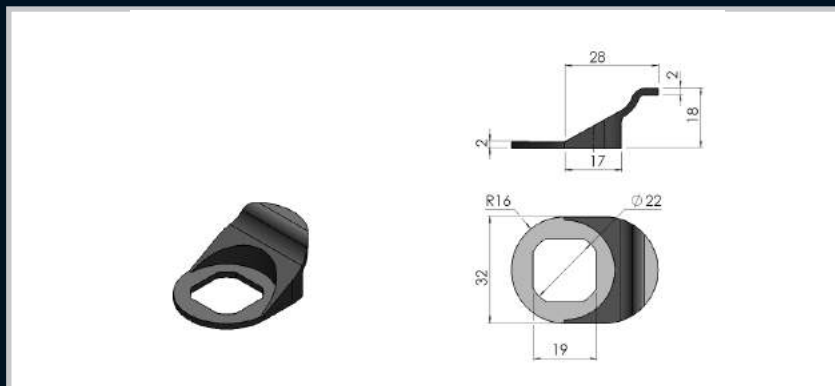
Accessories

Rotary Operating
Handles

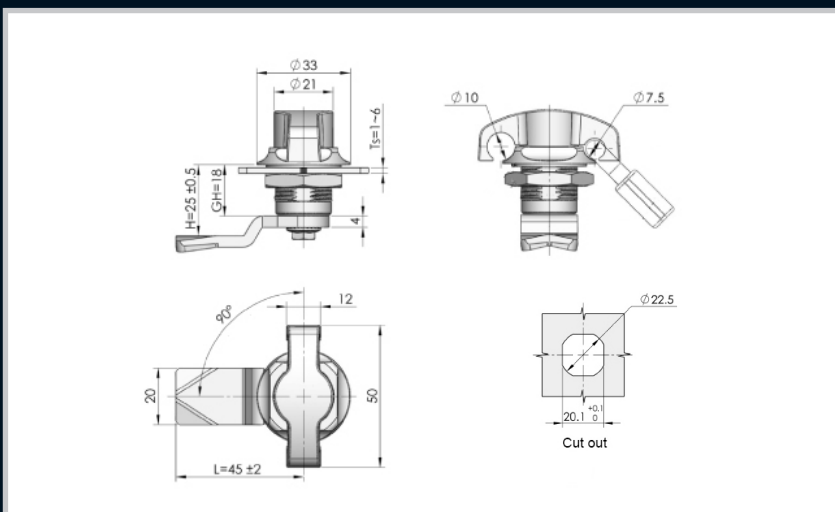
Insulators

Transformer
Equipment

Index



Part Number	Description
FP.22	PA Finger pull to suite 22 series locks and compression latches



Part Number	Description
22.3.25W/P	Padlockable wing knob