

Enclosures

Hinges

Locks

Handles

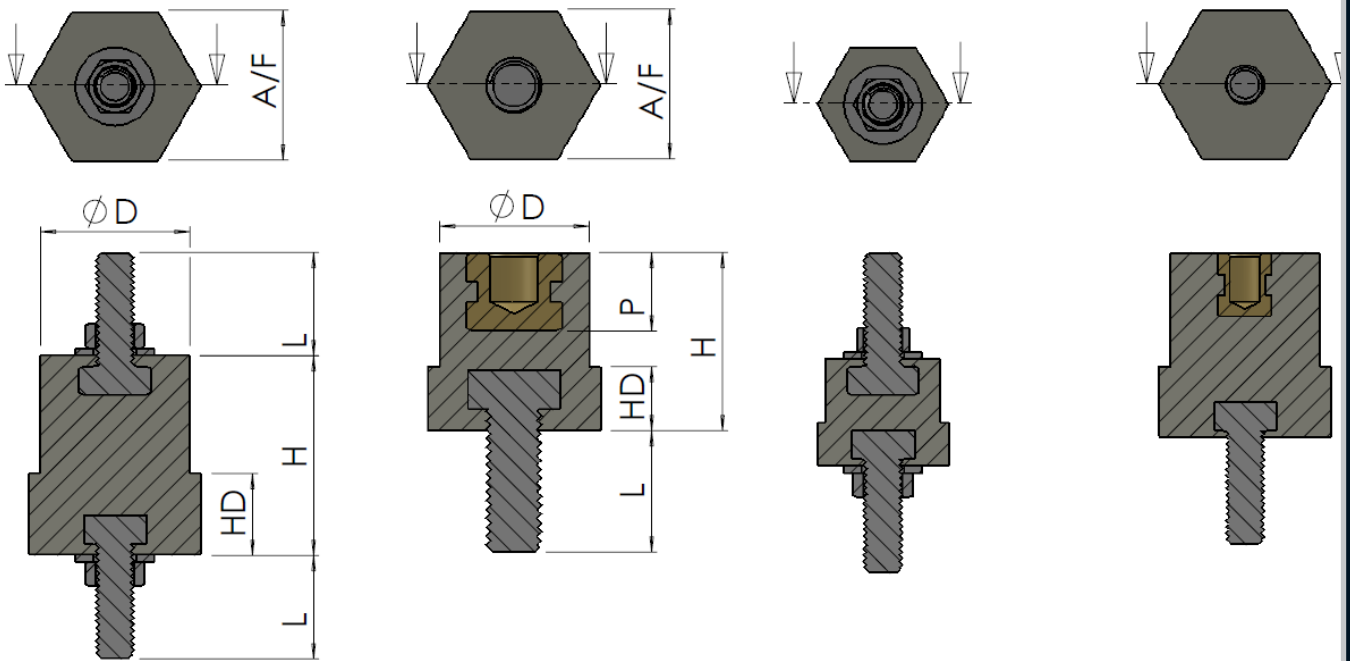
Accessories

Rotary Operating  
Handles

Insulators

Transformer  
Equipment

Index



PART NUMBER	TYPE & THREAD SIZE	HEIGHT H	DIAMETER D	HEX DEPTH HD	STUD LENGTH L	INSERT DEPTH P	ACROSS FLATS
050-095	HPL-6	20	20	10	15	10	21
050-098	HPL-6/8	25	20	10	17	11	21
050-092	HL-5	15	15	6	15	-	16
050-094	HL-6W	28	20	6	15	-	21