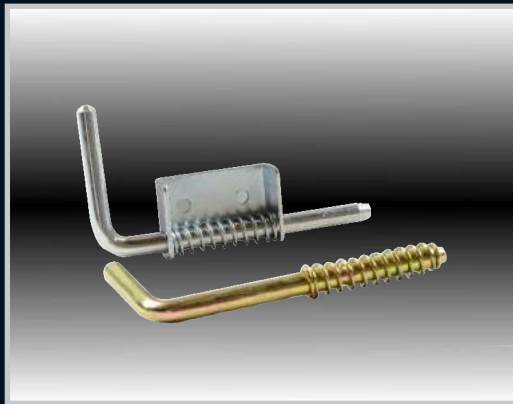
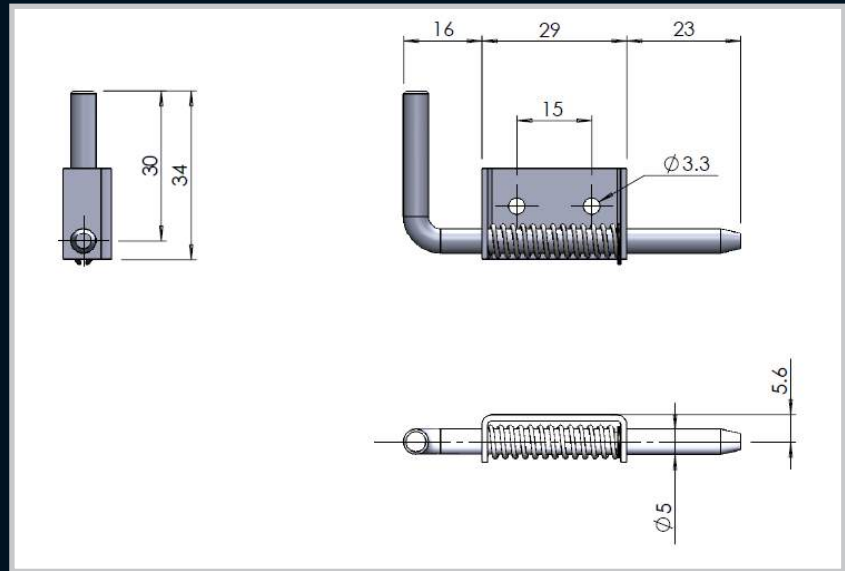


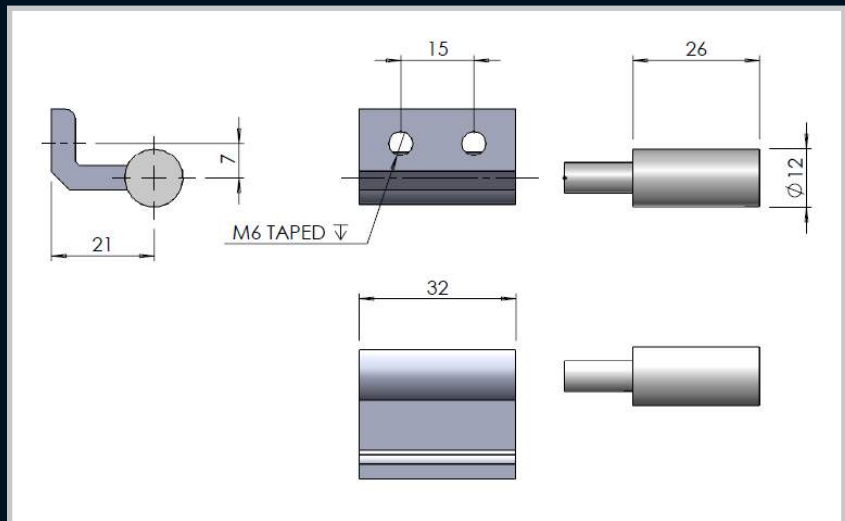
Concealed Hinges



Remarks:
Spring loaded



Part Number	Description
1010122	MS Body, Spring and L- Pin.
1010122/SPECIAL	MS yellow passivated tapped spring and L- pin
1010122SP/PLATE	MS body, tapped spring, L- pin and Plate



Part Number	Description
1010127	MS pin ZDC body
1010127M/SBODY	MS body
1010127M/SCOMPL	MS pin and body
1010127M/S	MS body , S/S pin
1010127M/SBRASS	MS pin and Brass body
1010127S/SBRASS	Stainless steel pin and brass body
1010127S/SCOMPL	SS pin and body

Enclosures

Hinges

Locks

Handles

Accessories

Rotary Operating
Handles

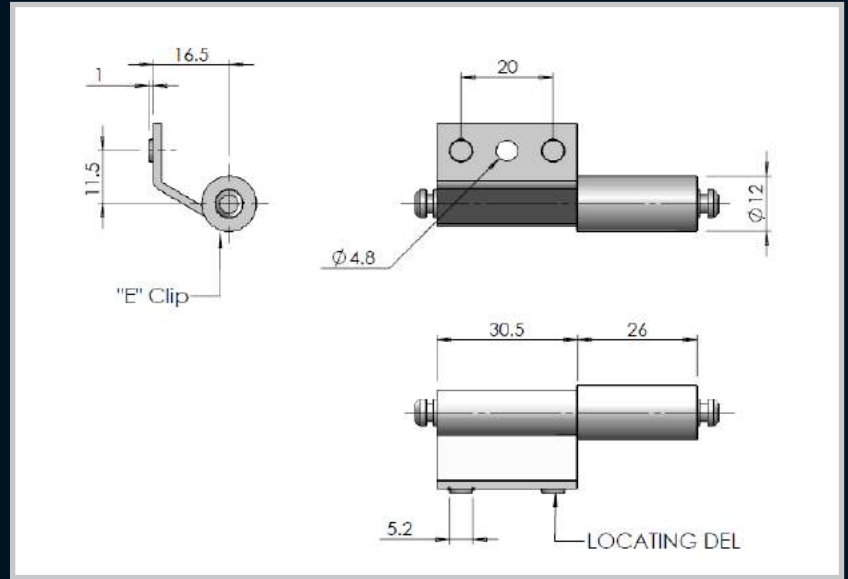
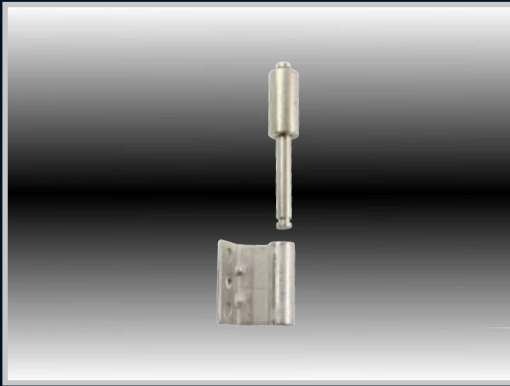
Insulators

Transformer
Equipment

Index

Enclosures

Hinges



Locks

Handles

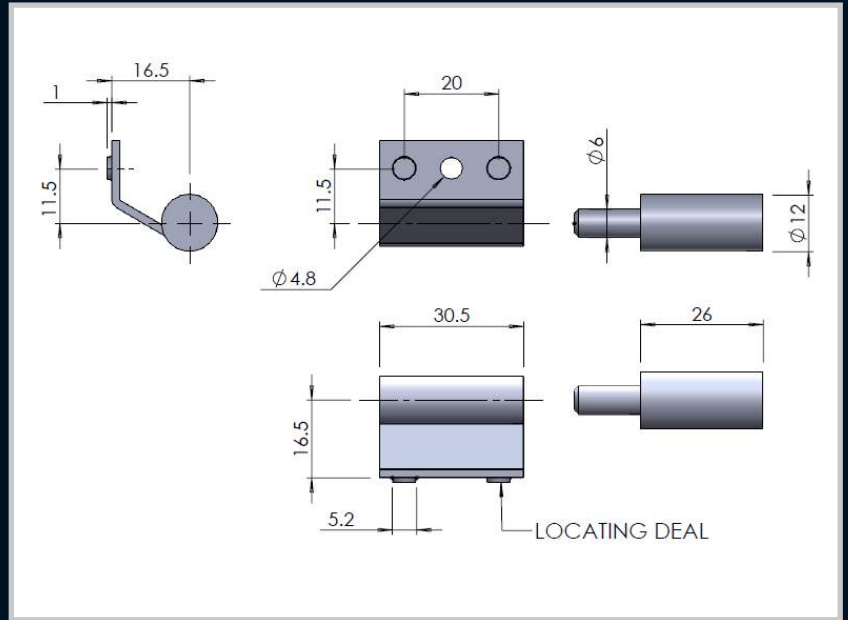
Accessories

Rotary Operating Handles

Insulators

Transformer Equipment

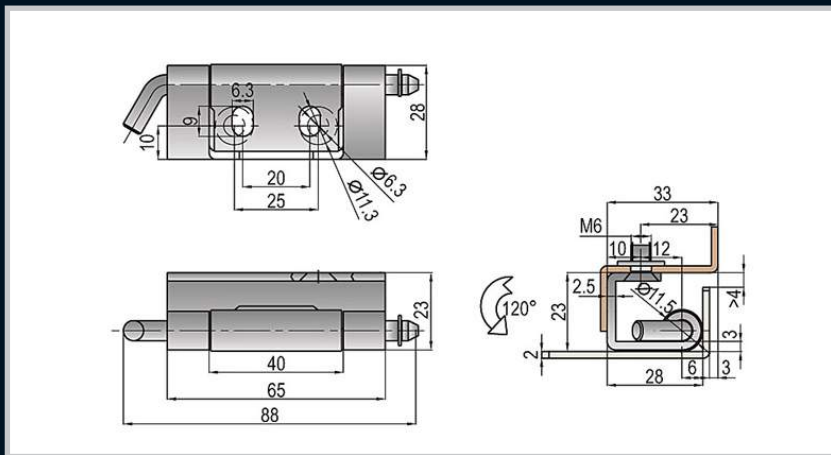
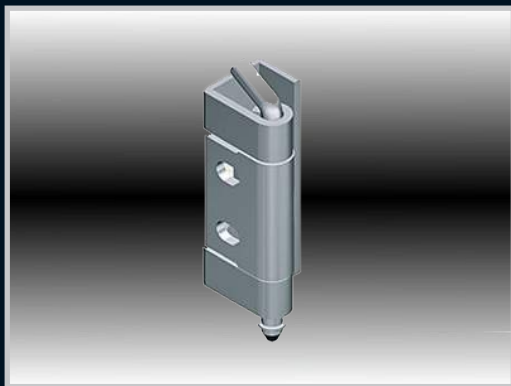
Index



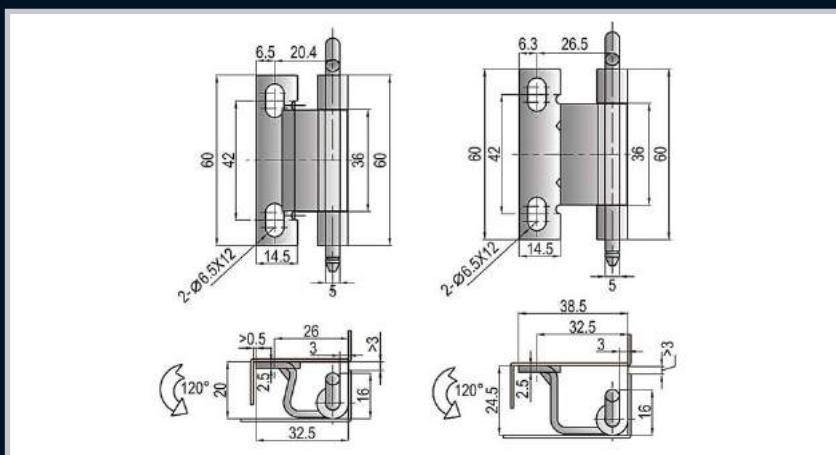
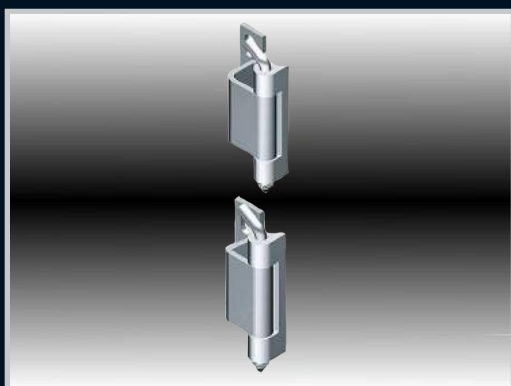
Part Number	Description
1010151	Weld on MS natural with "E" clip
1010151SS	Weld on Stainless steel natural with "E" clip

Part Number	Description
1010150M/S	Weld on MS natural
1010150S/S	Weld on Stainless steel natural

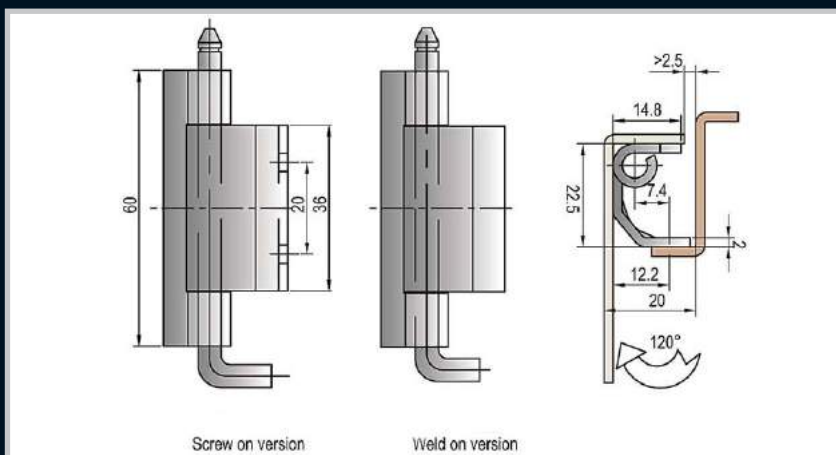
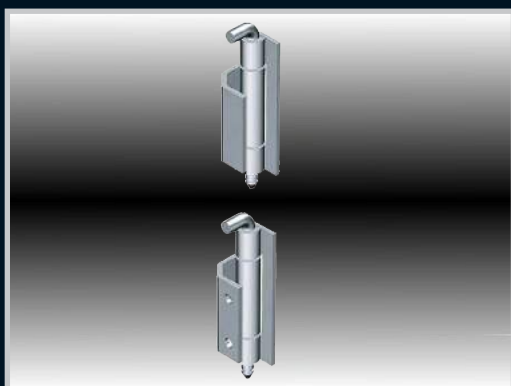
Concealed Hinges



Part Number	Description
230201	MS zinc plated with L-pin



Part Number	Description
20021	20mm , MS zinc plated with L-pin
24022	24mm, MS zinc plated with L-pin



Part Number	Description
60011	Screw on version, Stainless steel
60012	Weld on version, Stainless steel

Enclosures

Hinges

Locks

Handles

Accessories

Rotary Operating Handles

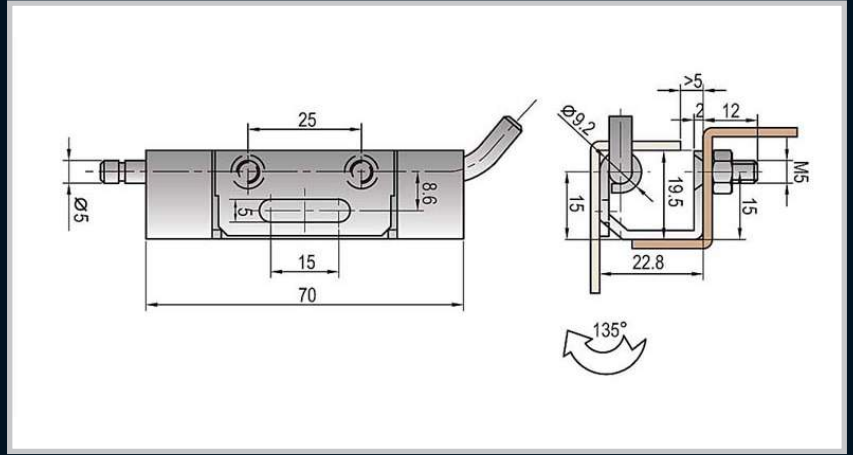
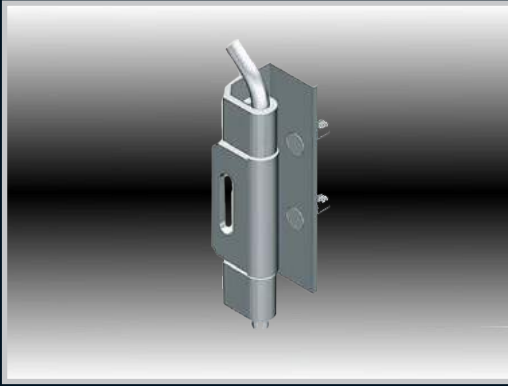
Insulators

Transformer Equipment

Index

Enclosures

Hinges

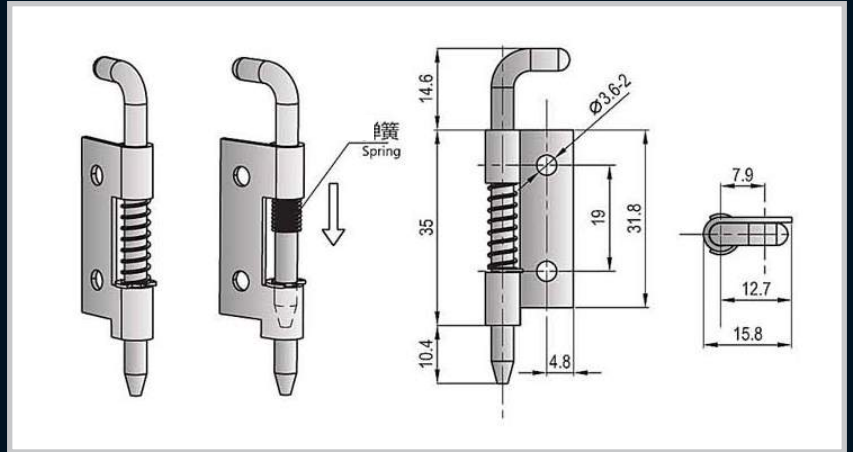
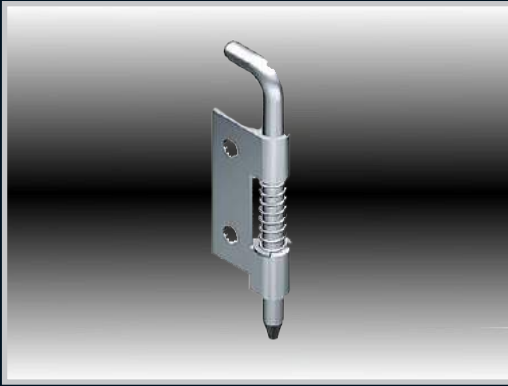


Part Number	Description
7001	Mild steel zinc plated

Locks

Handles

Accessories

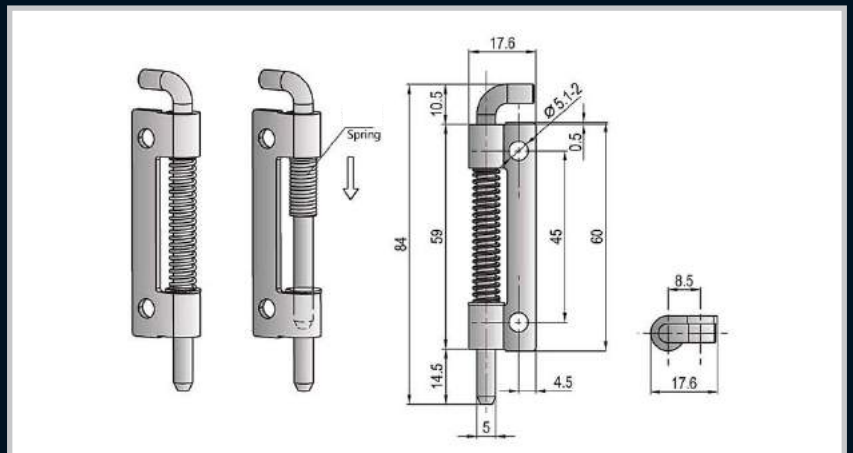
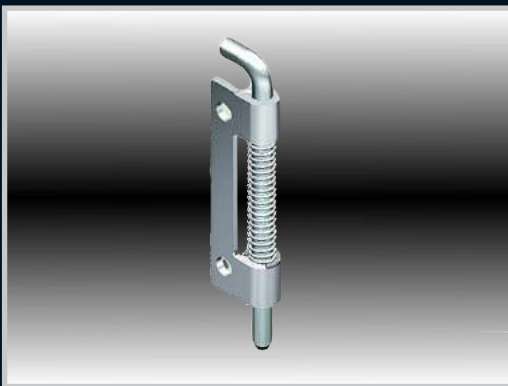


Description	Screw on version		Weld on version	
	Left	Right	Left	Right
Small	3501-L	3501-R	3511-L	3511-R

Rotary Operating Handles

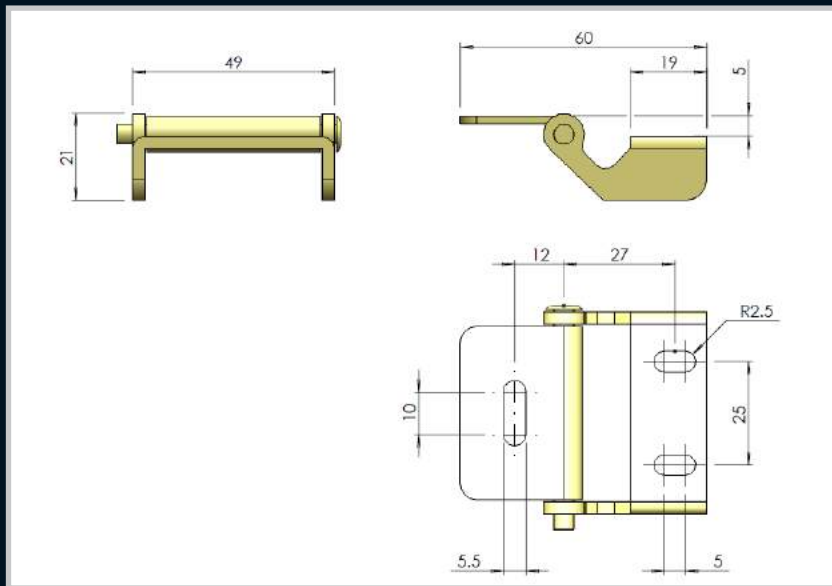
Insulators

Transformer Equipment

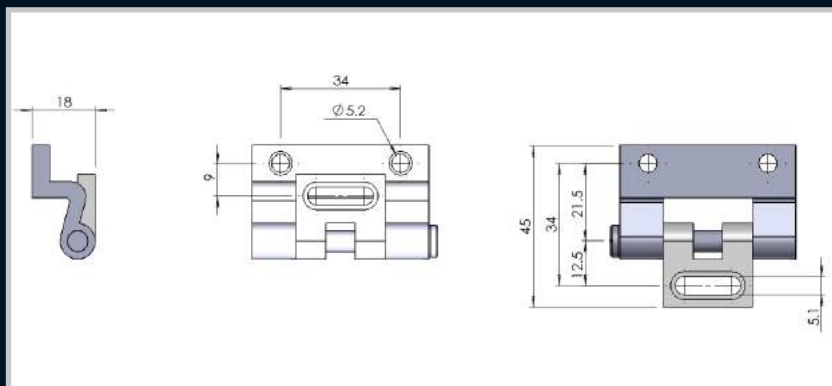


Description	Screw on version		Weld on version	
	Left	Right	Left	Right
Large	6001-L	6001-R	6011-L	6011-R

Concealed Hinges

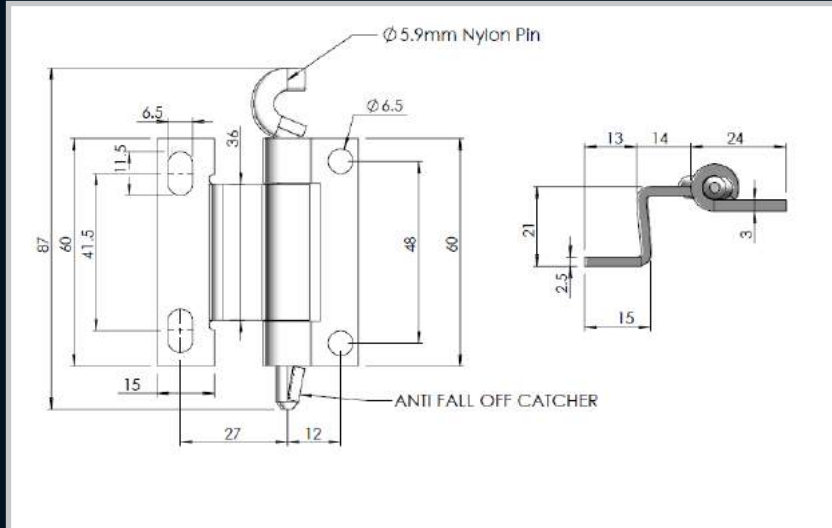


Part Number	Description
1010185	MS Galvanized



Part Number	Description
083-004	ZDC Galvanized
083-004REVERSE	ZDC Galvanized

Remarks:
Pin is in opposite direction for reversal use.

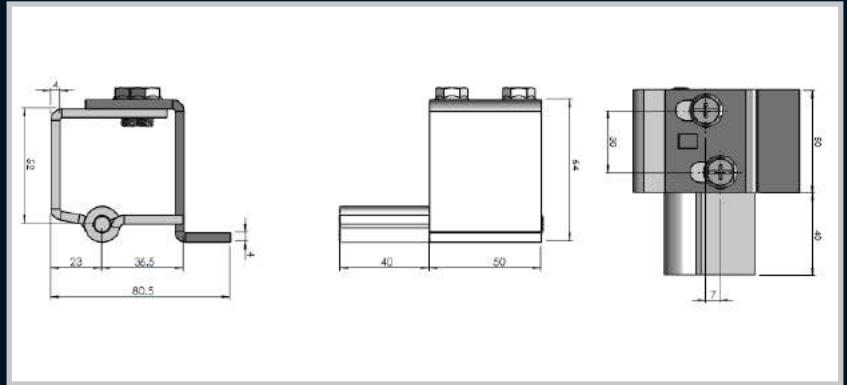


Part Number	Description
AL250-6	Mild Steel Concealed hinge with a Nylon Pin

- Endlosures
- Hinges
- Locks
- Handles
- Accessories
- Rotary Operating Handles
- Insulators
- Transformer Equipment
- Index

Enclosures

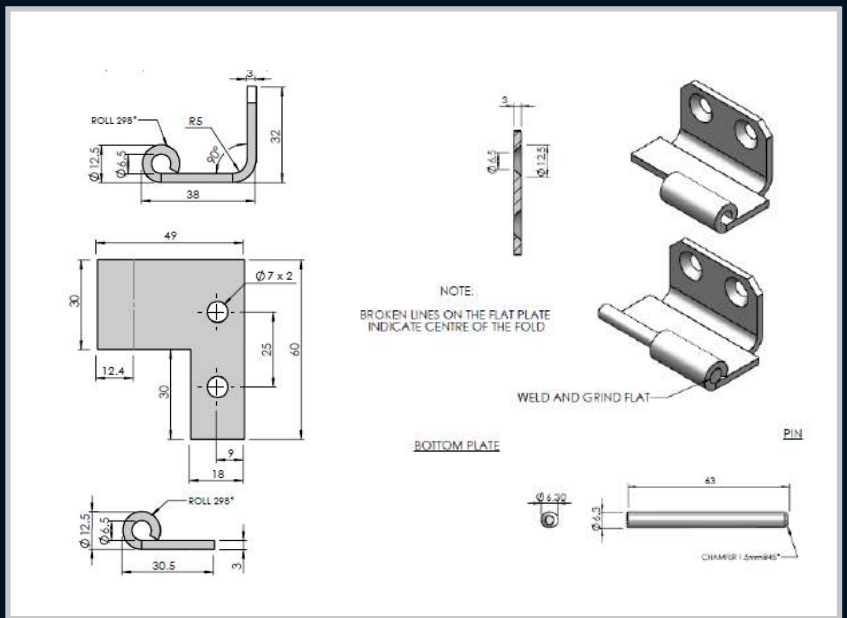
Hinges



Part Number	Description
90.80.5	Concealed M/S hinge

Locks

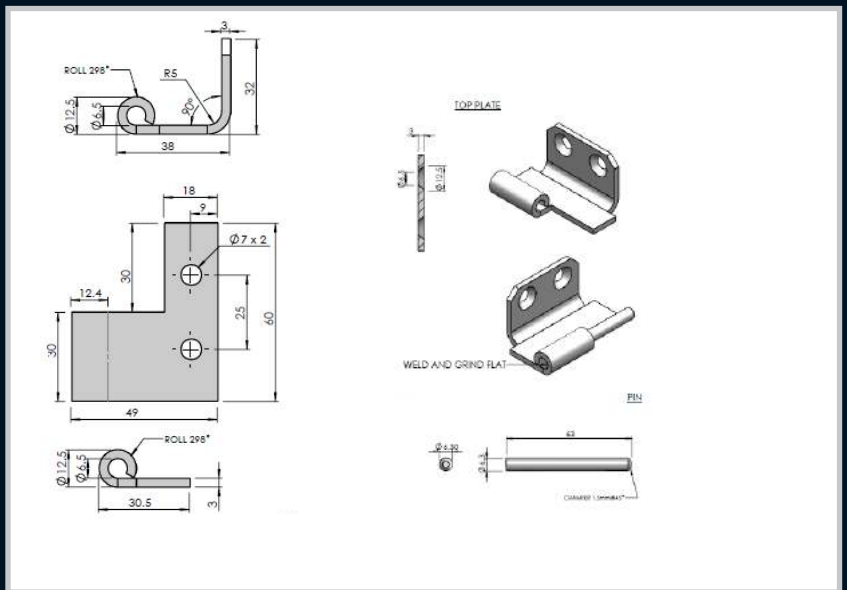
Handles



Part Number	Description
WTLH60SS	Complete Stainless Steel left hand hinge

Rotary Operating Handles

Insulators



Part Number	Description
WTRH60SS	Complete Stainless Steel right hand hinge

Transformer Equipment

Index