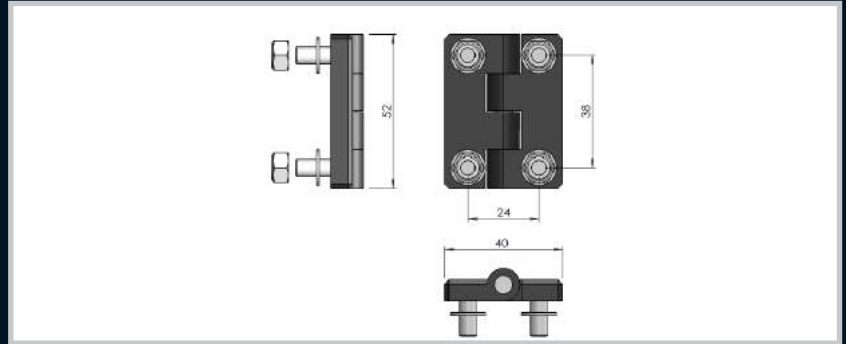


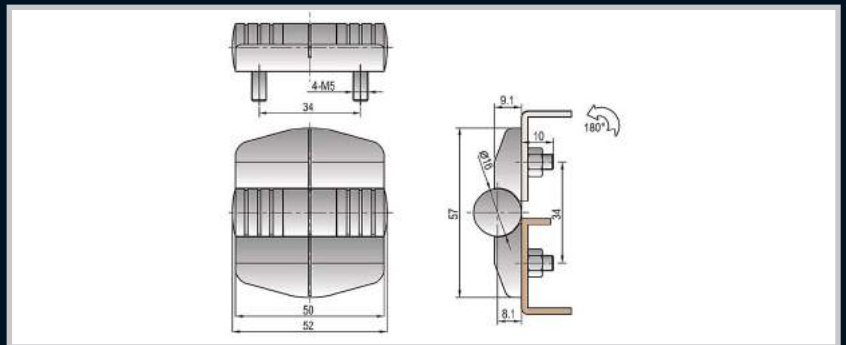
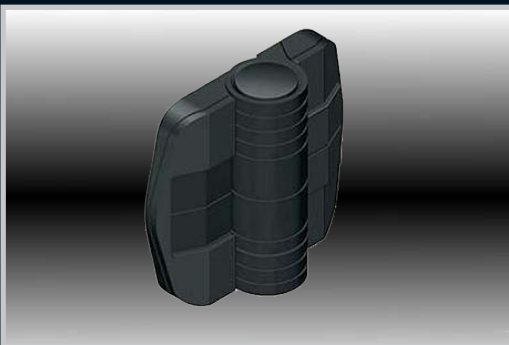
Enclosures

Hinges



Part Number	Description
1010168	ZDC, black powder coated, MS 6mm studs and fasteners
1010168S/S	Full stainless steel 6mm studs
1010168N	Nylon black with stainless steel 6mm studs and fasteners

Locks

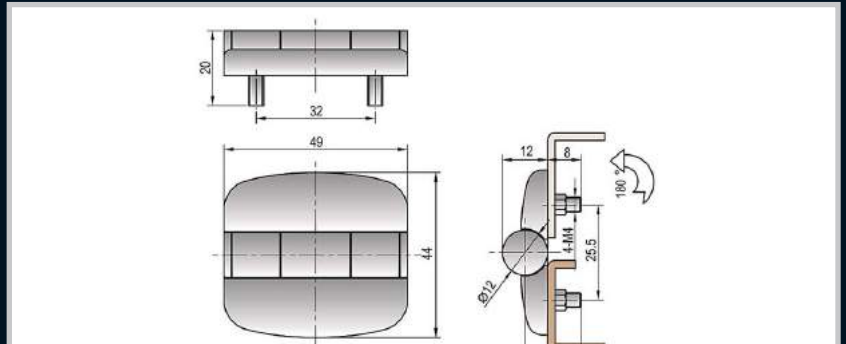


Remarks:
Available in black textured powder coated.

Part Number	Description
5052-0	Black powder coated with plastic waterproof cover

Handles

Accessories

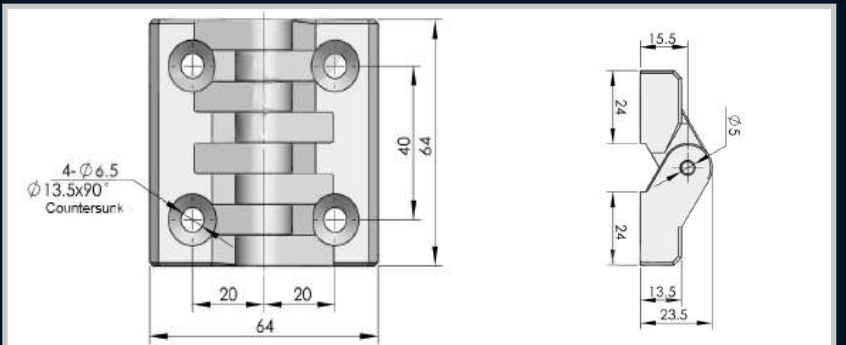


Remarks:
Available in black textured powder coated.

Part Number	Description
4944-0	Black powder coated with plastic waterproof cover and threaded studs

Rotary Operating Handles

Insulators

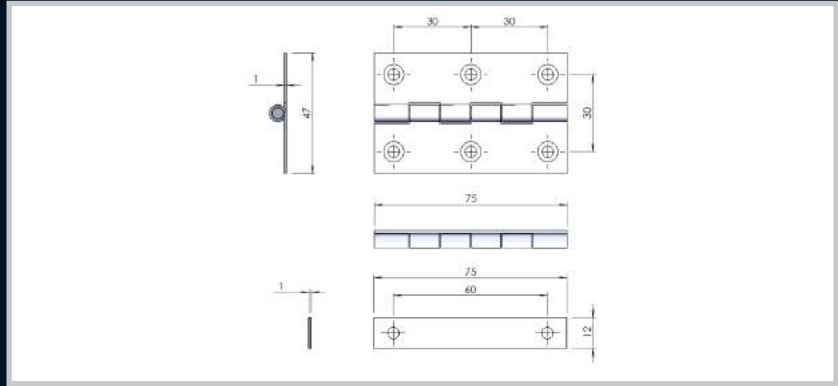


Transformer Equipment

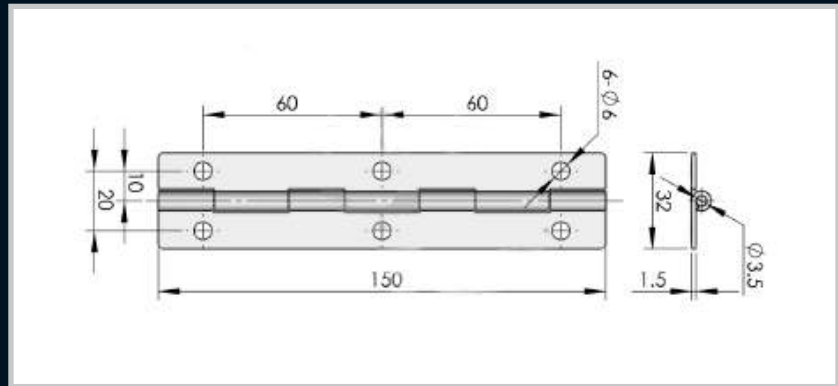
Index

Part Number	Description
40.64.64	Black PA hinge with steel pin, opening angle 180°

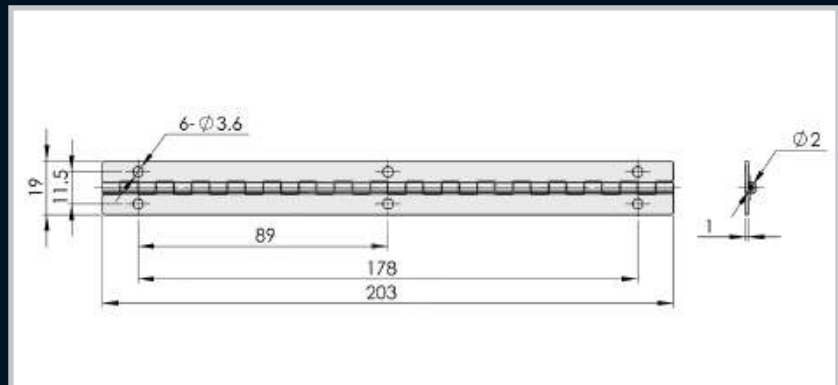
Butt Hinges



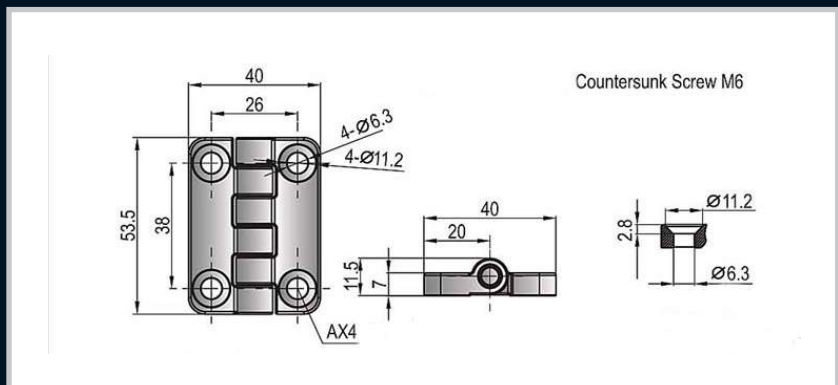
Part Number	Description
083-002	Complete stainless steel natural finish



Part Number	Description
150.32.60	White Zinc plated steel piano hinge opening angle 180°



Part Number	Description
89.178.203	Aluminium piano hinge



Part Number	Description
40540/B	Black powder coated
40540/C	Chrome

Remarks:
Available in black powder coated and chrome finish.

Enclosures

Hinges

Locks

Handles

Accessories

Rotary Operating Handles

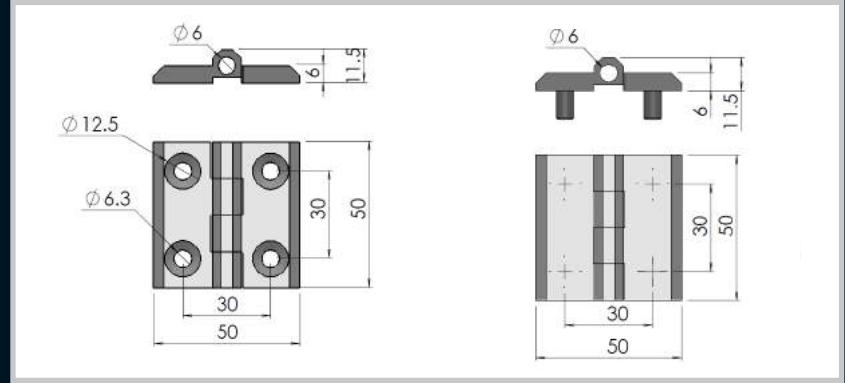
Insulators

Transformer Equipment

Index

Enclosures

Hinges



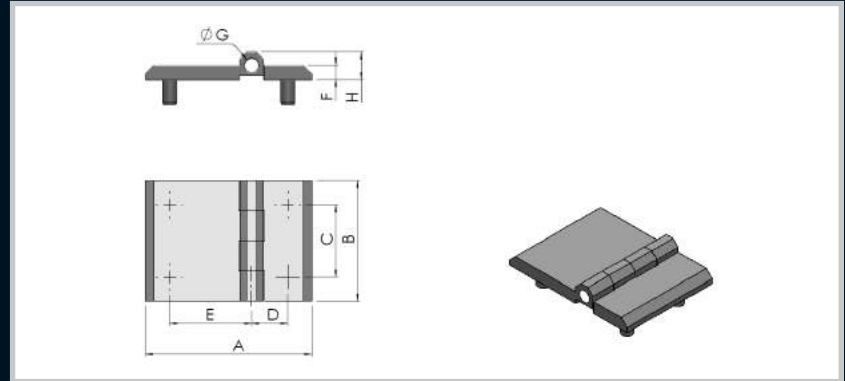
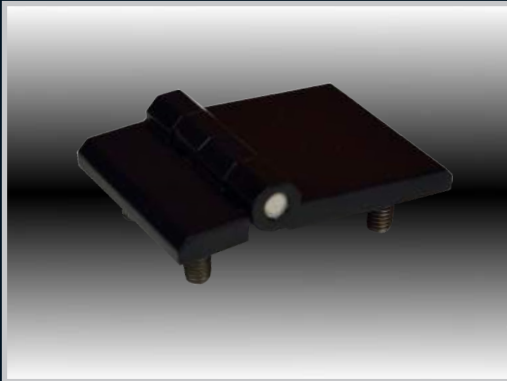
Locks

Handles

Part Number	Description	A (mm)	B (mm)	C (mm)	D (mm)	E (mm)	F (mm)	G (mm)
60.60.36CH	Countersunk hole, ZDC	36	60	16.5	8.4	8	15	8
60.60.36SE	Screw embedded, ZDC	36	60	16.5	8.4	8	15	8
60.60.36CH.S/S	Countersunk hole, stainless steel	36	60	16.5	8.4	8	15	8
50.50.30CH	Countersunk hole, ZDC	30	50	12.5	6.3	6	11.5	6
50.50.30SE	Screw embedded, ZDC	30	50	-	-	6	11.5	6
50.50.30SH	Step hole, ZDC	30	50	-	-	6	11.5	6
50.50.30CH.P	Countersunk hole, PA	30	50	12.5	6.3	6	11.5	6
50.50.30CH.S/S	Countersunk hole, stainless steel	30	50	12.5	6.3	6	11.5	6
40.40.25CH	Countersunk hole, ZDC	25	40	10.2	5.3	5	9	4
40.40.25S/E.6	Screw embedded, ZDC	25	40	10.2	5.3	5	9	4

Accessories

Rotary Operating Handles

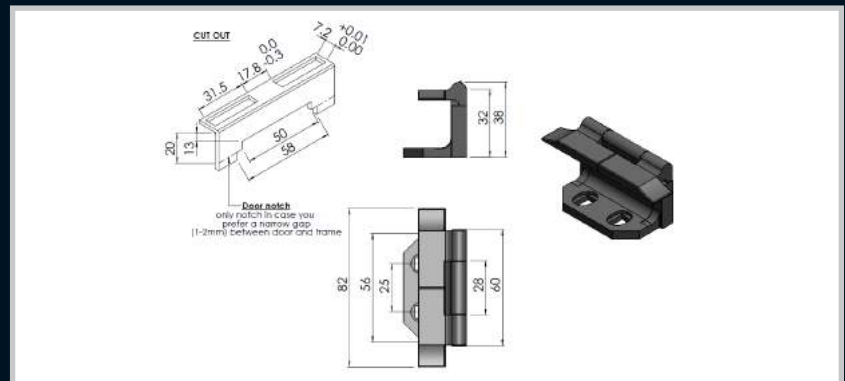


Insulators

Part Number	Description	A (mm)	B (mm)	C (mm)	D (mm)	E (mm)	F (mm)	G (mm)	H (mm)
90.60.36CH	8.4 Countersunk hole, ZDC	90	60	36	18	44	8	8	15
90.60.36SE	M8 Screw embedded, ZDC	90	60	36	18	44	8	8	15
63.50.30CH	6.3 Countersunk hole, Stainless steel	63	50	30	15	28	6	6	11.5
63.50.30SE	M6 Screw embedded, ZDC	63	50	30	15	28	6	6	11.5

Transformer Equipment

Index



Part Number	Description
6037	Black PA hinge, opening angle 180°