

Enclosures

Hinges

Locks

Handles

Accessories

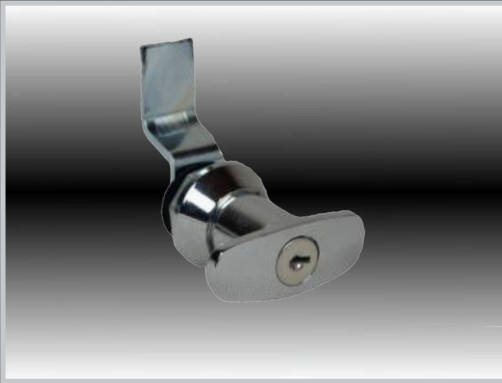
Rotary Operating  
Handles

Insulators

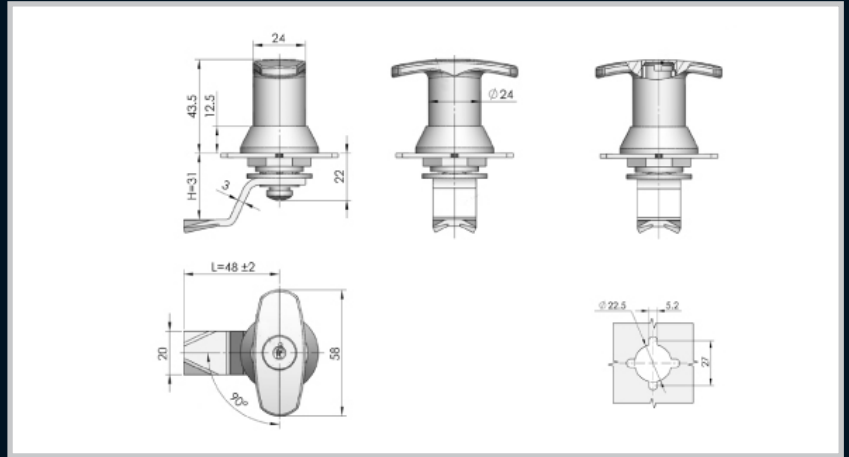
Transformer  
Equipment

Index

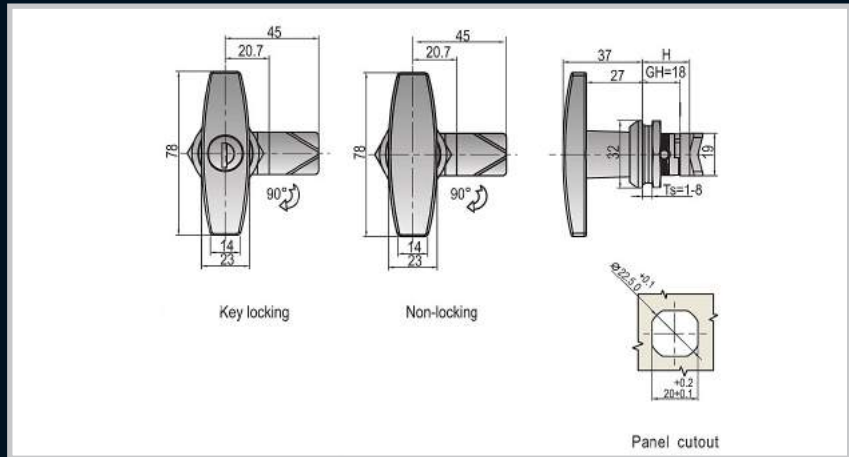
## T - Handle



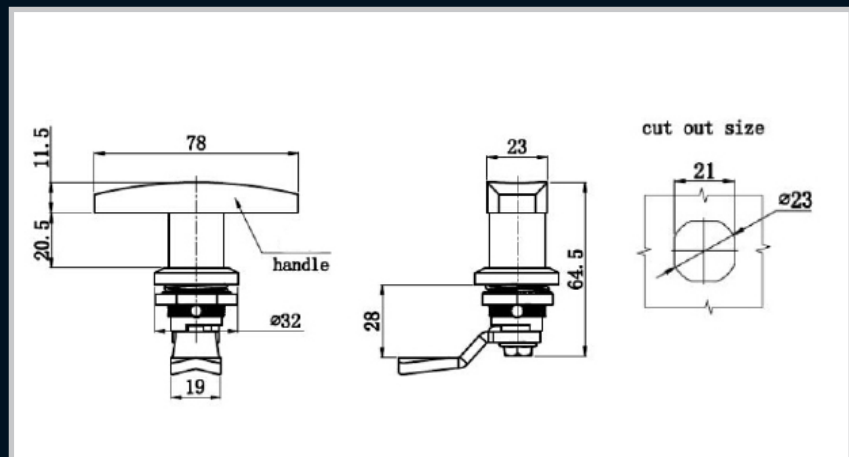
**Remarks:**  
For cam options refer to pages 135,136,137



Part Number	Description
22.3.31.58.K/C	Key lockable T-handle, Chrome

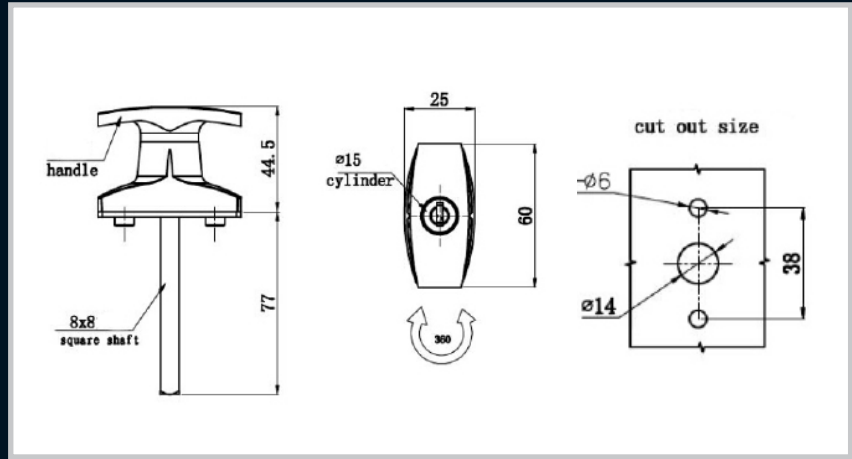


Part Number	Description
22.3.18.BK.78	Black powder coated ZDC housing and handle, MS cam, Key locking
22.3.30.60B	Black powder coated ZDC housing and handle, MS cam, Non locking



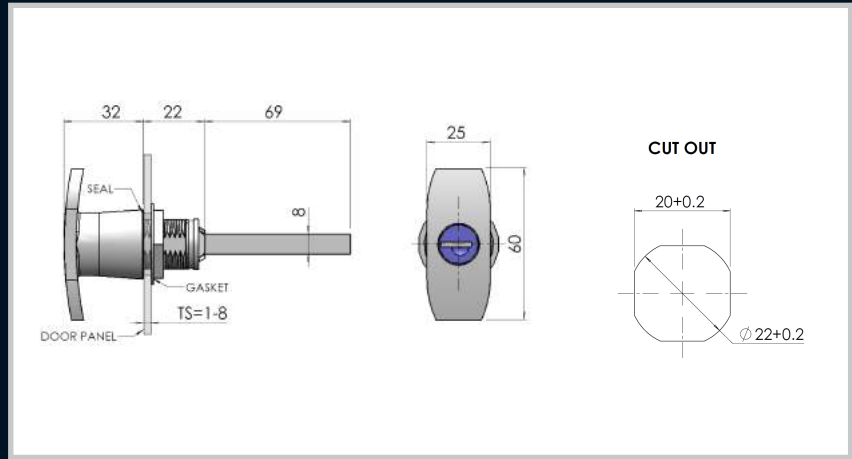
Part Number	Description
22.T60/92268/CAM	T-Handle chrome locking 1/4 turn fix no spindle with cam

# T-Handles



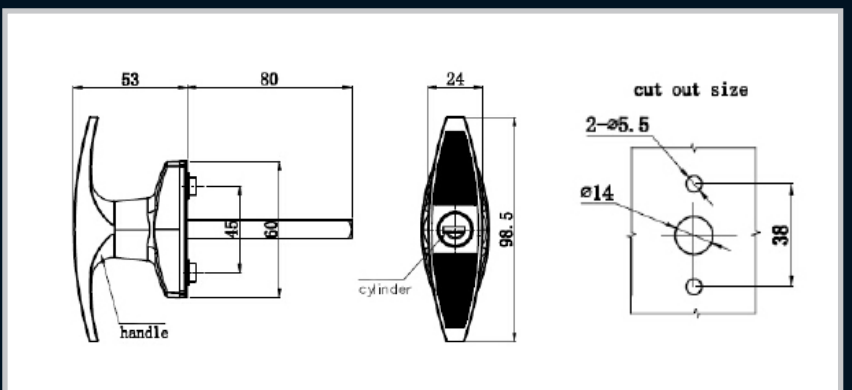
Part Number	Description
12.T.60S/92268	T-handle chrome locking concealed fix with spindle key 92268
12.T.60S/CL001	T-handle chrome locking concealed fix with spindle key CL001

## Mini T - Handle



Part Number	Description
22.T.60S/92268	T-handle chrome locking 1/4 turn fix with spindle key 92268
22.T.60S/CL001	T-handle chrome locking 1/4 turn fix with spindle key CL001

## Large T - Handle



Part Number	Description
12.T.100S/CL001	Large T-handle chrome locking concealed fix with spindle key CL001
12.T.100S/92268	Large T-handle chrome locking concealed fix with spindle key 92268

**Remarks:**  
**Concealed Fix , Movement 180 Degrees**  
 Key options:  
 Key 92268  
 Key CL001

Enclosures

Hinges

Locks

Handles

Accessories

Rotary Operating Handles

Insulators

Transformer Equipment

Index