

Enclosures

Hinges

Locks

Handles

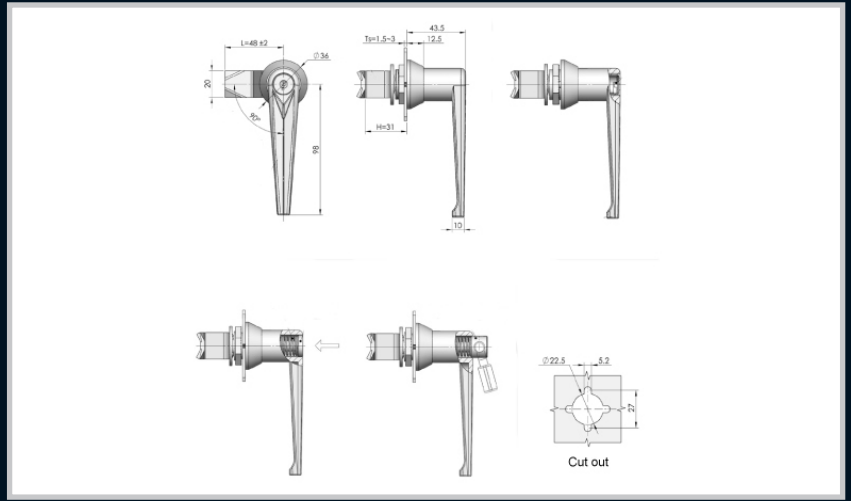
Accessories

Rotary Operating
Handles

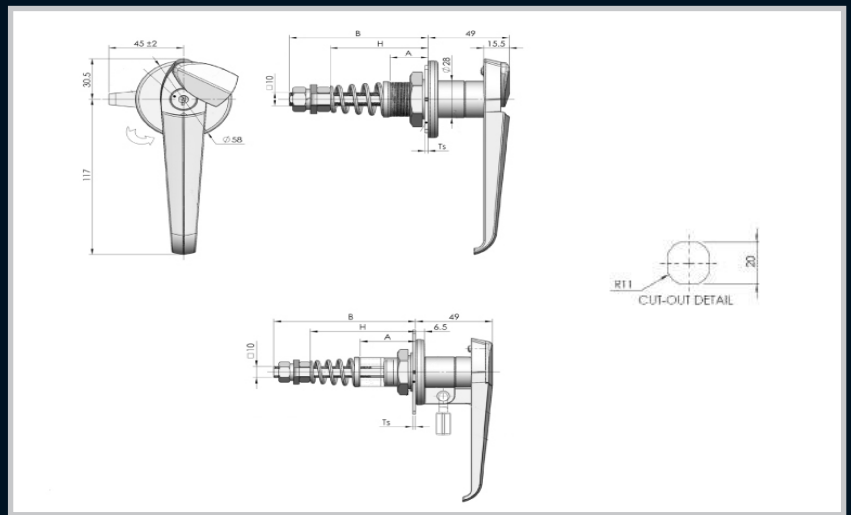
Insulators

Transformer
Equipment

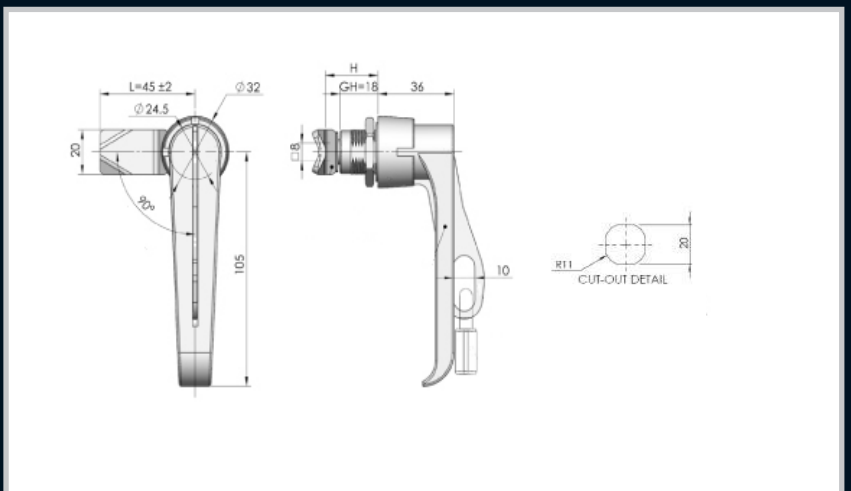
Index



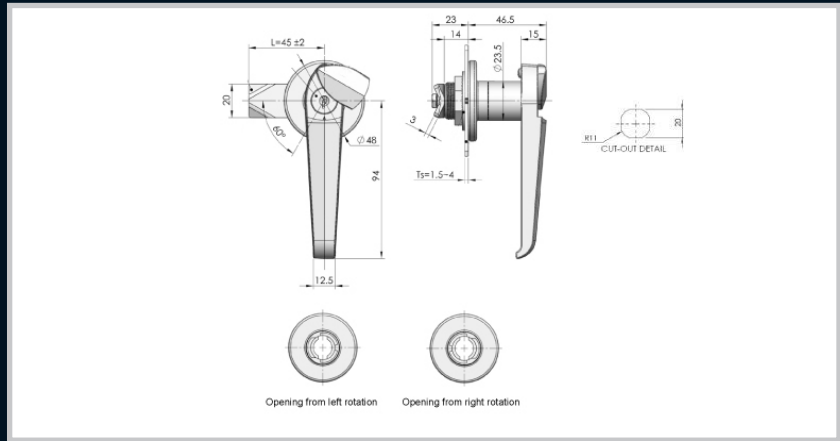
Part Number	Description
22.3.19.K/C	Key lockable L-handle Chrome



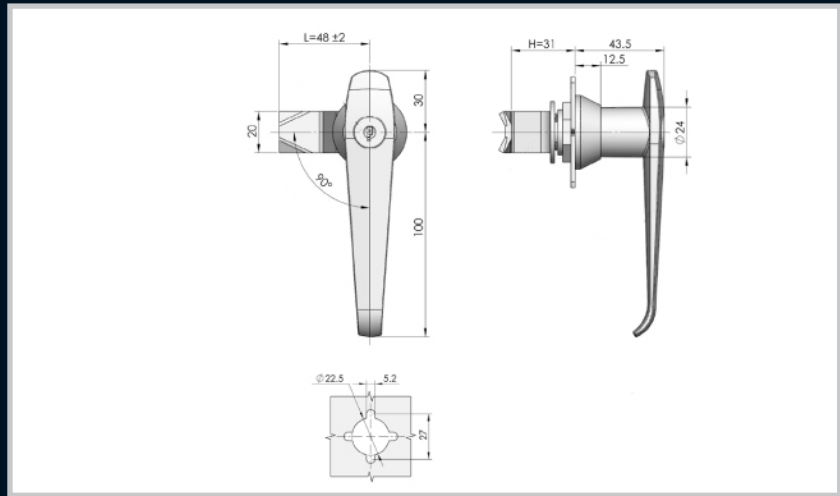
Part Number	Description
27.3.45.K/D/C.C	Key lockable compression L-handle with dust cap adjustable depth, Chrome
27.3.45.K/DK.C	Key and Padlockable compression L-handle with dust cap, adjustable depth
27.3.45.K/D/C	Key lockable L-handle with dust cap 117mm, Chrome



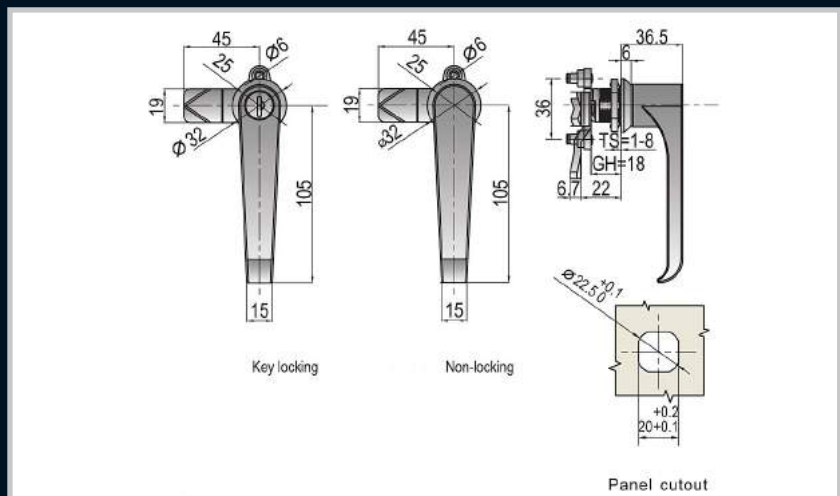
Part Number	Description
22.3.105.25.PP/K	Padlockable L-handle , Chrome



Part Number	Description
22.3.23.94.KDC	Key lockable L-handle with dust cap 94mm, Chrome



Part Number	Description
22.3.31.100.K/C	Key lockable L-handle 100mm, Chrome



Part Number	Description
22.3.36.105K/B	Black powder coated ZDC housing and handle, MS cam, Key locking
22.3.36.105K/C	Chrome plated ZDC housing and handle, MS cam, Key locking
22.3.36.105B	Black powder coated ZDC housing and handle, MS cam, Non locking
22.3.36.105C	Chrome plated ZDC housing and handle, MS cam, Non locking
22.3.36.105SS	Stainless Steel housing and handle, Stainless steel cam, non locking

Enclosures

Hinges

Locks

Handles

Accessories

Rotary Operating
Handles

Insulators

Transformer
Equipment

Index

L-Handles

Enclosures

Hinges

Locks

Handles

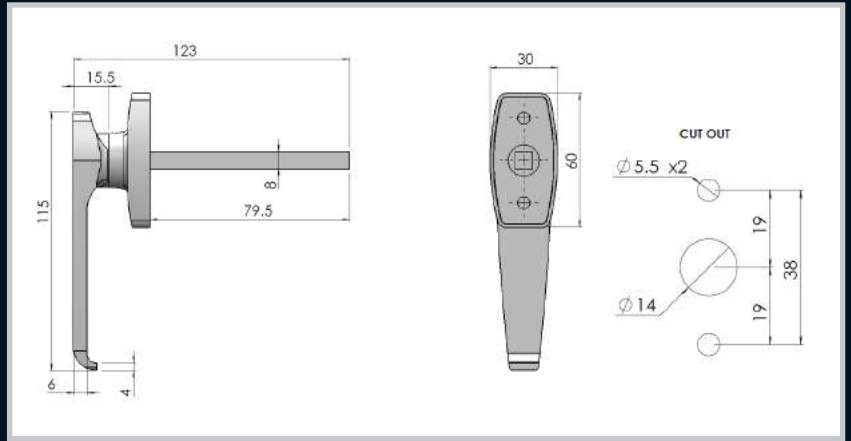
Accessories

Rotary Operating Handles

Insulators

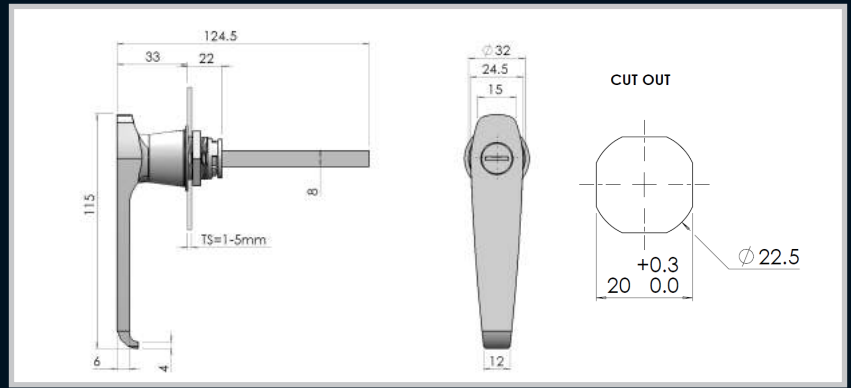
Transformer Equipment

Index



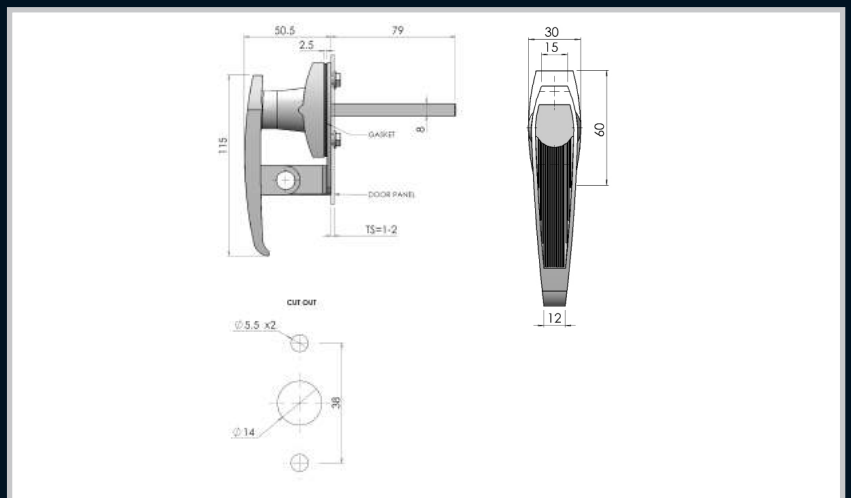
Remarks:
Key options:
Key 92268
Key CL001

Part Number	Description
12.L115S/92268	L handle Chrome Locking Concealed Fix With Spindle
12.L115S/CL001	L Handle Chrome Locking Concealed Fix With Spindle



Remarks:
Key options:
Key 92268
Key CL001

Part Number	Description
22.L115S/92268	L handle Chrome Locking 1/4 Turn Fix With Spindle
22.L115S/CL001	L Handle Chrome Locking 1/4 Turn Fix With Spindle

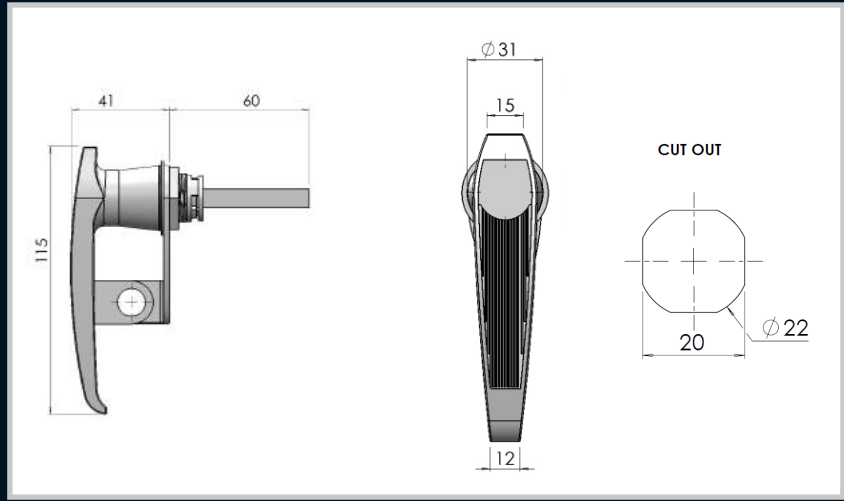


Remarks:
Movement options:
A/C - Anti-clockwise to unlock
C/W - Clockwise to unlock

Part Number	Description
12.L115SP/AC	L Handle Padlockable Concealed Fix With Spindle A/C To Unlock
12.L115SP/CW	L Handle Padlockable Concealed Fix With Spindle C/W To Unlock



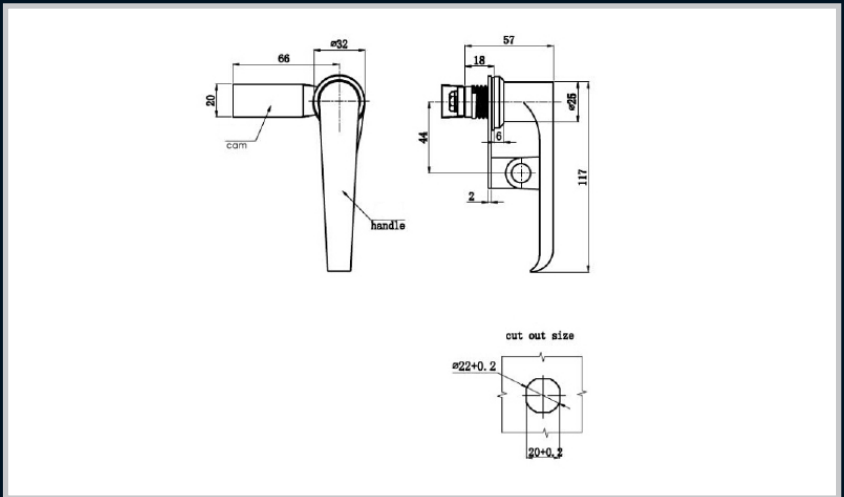
Remarks:
 Movement options:
 A/C - Anti-clockwise to unlock
 C/W - Clockwise to unlock



Part Number	Description
22.L115SP/AC	L-handle padlock 1/4 turn fix with spindle A/C to Unlock
22.L115SP/CW	L-handle padlock 1/4 turn fix with spindle C/W to Unlock



Remarks:
 Movement options:
 A/C - Anti-clockwise to unlock
 C/W - Clockwise to unlock



Part Number	Description
22.L115/92268/CAM	L Handle Chrome Locking 1/4 Turn Fix No Spindle With Cam
22.L115P/CW/CAM	L Handle Padlockable 1/4 Turn Fix No Spindle C/W To Unlock With Cam
22.L115P/AC/CAM	L Handle Padlockable 1/4 Turn Fix No Spindle A/C To Unlock With Cam

Enclosures

Hinges

Locks

Handles

Accessories

Rotary Operating Handles

Insulators

Transformer Equipment

Index