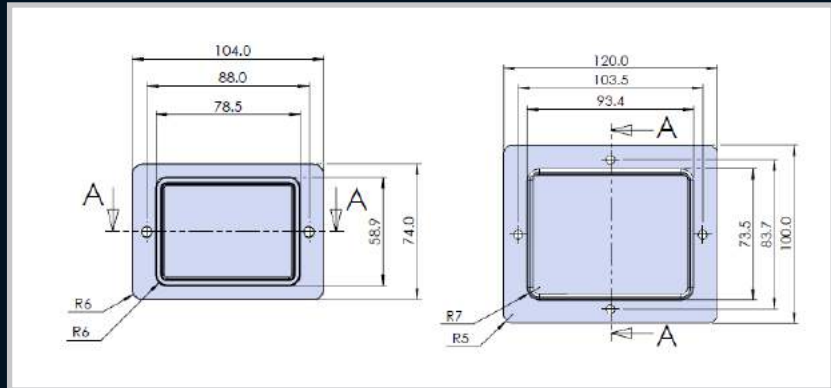
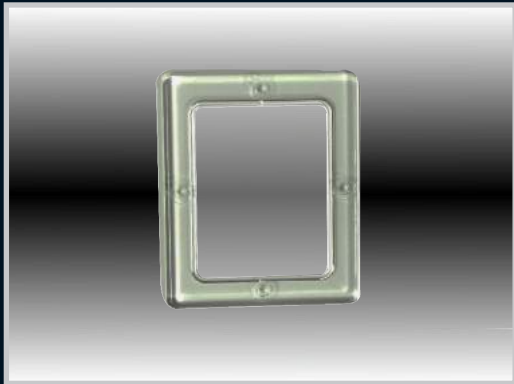


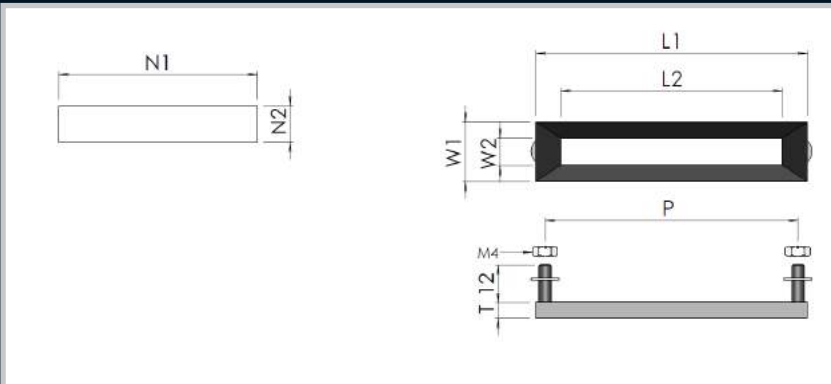
Kiosk Windows



Remarks:
Clear kiosk meter window.

Part Number	Description
CKW74/104	Clear UV stabilized Polycarbonate
CKW100/120	Clear UV stabilized Polycarbonate

Label Holders



Part Number	Description	L1	P	L2	W1	W2	N1	N2	T	D1
222610	ZDC Black	138	132	119	31	19	125	25	5.5	M4
222610S	ZDC Black	88	82	71	19	8.5	76	12.5	7	M4
222610L	ZDC Black	163	157	144	46	34	150	40	5.5	M4

Door Bumper



Remarks:
Recommended cut-out is 7mm.

Part Number	Description
11BUMPER	Rubber shore hardness 70

Enclosures

Hinges

Locks

Handles

Accessories

Rotary Operating Handles

Insulators

Transformer Equipment

Index