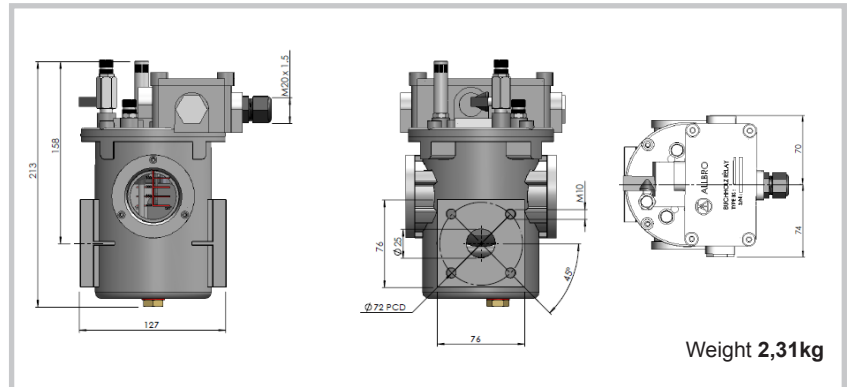


BS 25



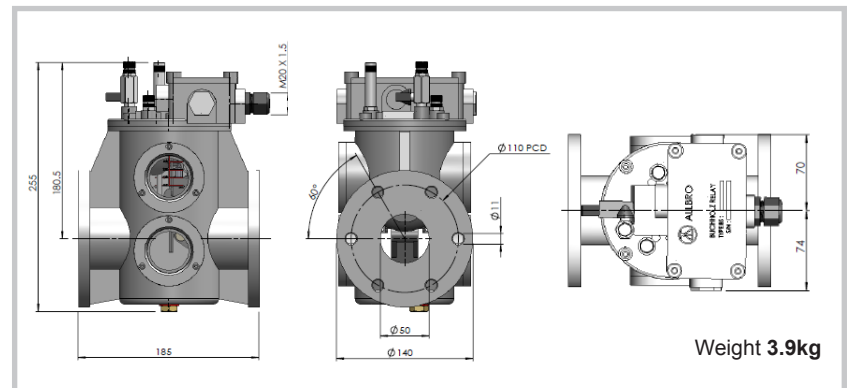
Weight 2,31kg

PART NUMBER	DESCRIPTION
021-114	Buchholz Relay Model BS25HA
021-115	Buchholz Relay Model BS25MA
021-115/E	Buchholz Relay BS25MA / E
021-400	Buchholz Valve 25mm
021-426	Buchholz Valve 25mm (60mm FTF)

Remarks:

- MA = Magnetic - normally open contacts
- HA = Mercury - normally open contacts

BS 50



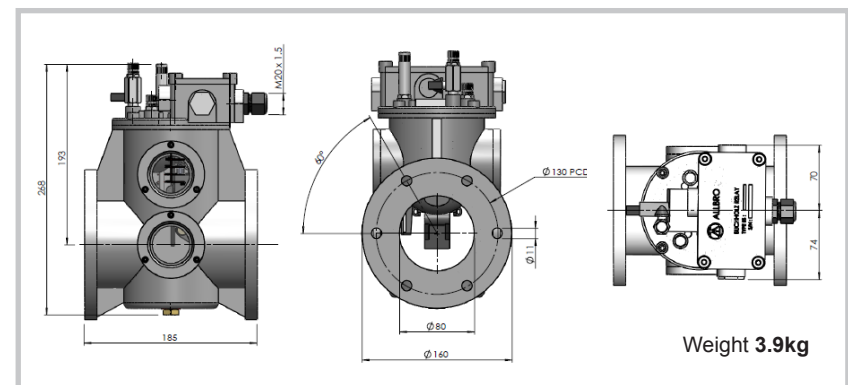
Weight 3.9kg

PART NUMBER	DESCRIPTION
021-116	Buchholz Relay Model BS50HA
021-117	Buchholz Relay Model BS50MA
021-117/E	Buchholz Relay BS50MA / E
021-401	Buchholz Valve 50mm
021-427	Buchholz Valve 50mm (60mm FTF)

Remarks:

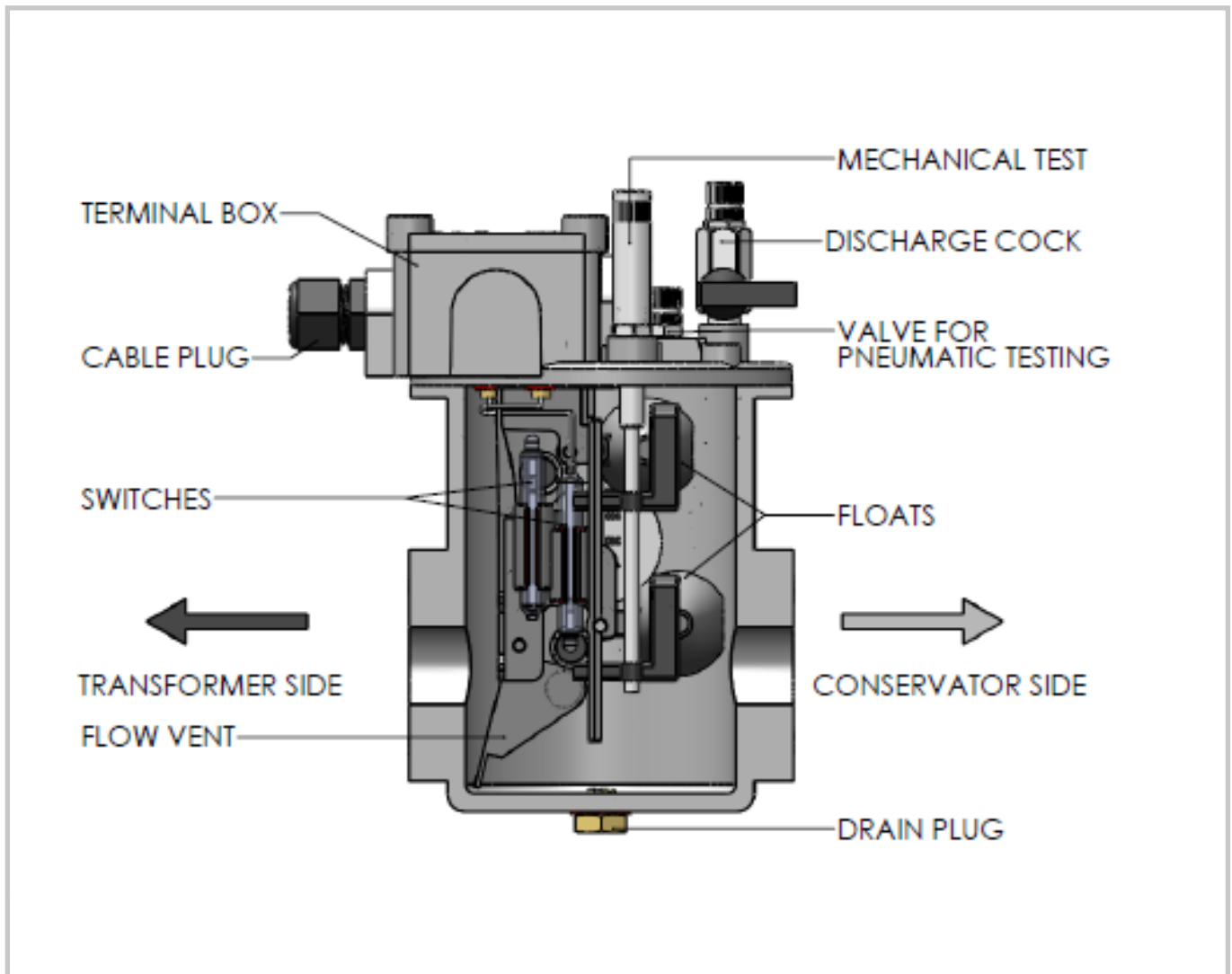
- MA = Magnetic - normally open contacts
- HA = Mercury - normally open contacts

BS 80



Weight 3.9kg

PART NUMBER	DESCRIPTION
021-119/E	Buchholz Relay BS80MA / E
021-428	Buchholz Valve 80mm (60FTF)



EXTERNAL COATING AND PROTECTION

To the external aluminium alloy parts is given a phosphate treatment prior to applying one coat of vinyl enamel, colour RAL 7001. This treatment has proved more than satisfactory over the years for the majority of applications including desert and tropical situations.

However, in particularly severe applications (>500h salt fog) such as applications in corrosive atmospheres (acids) a suitable epoxy primer is recommended. (This should be discussed at the time of selection).

All external brass fittings are plated and all nuts are made in stainless steel.