

## Indication Only Thermometers



PART NUMBER	DESCRIPTION	RANGE ( Deg Celcius )
021-002	Thermometer BM80	0 to 120
021-003	Thermometer BM100	0 to 120

## Thermometers with Contacts (for Telemetry)



PART NUMBER	DESCRIPTION	RANGE ( Deg Celcius )	NO. OF CONTACTS	TYPE OF CONTACT	BULB TYPE
021-012	Thermometer F035-AKM Bi Metal 2C	0 to 120	2	Change Over	Direct Mount
021-005	Thermometer 1184	0 to 120	2	Normally Open	Direct Mount
021-008	Thermometer MTVT 84	0 to 120	2	Change Over	Direct Mount
021-006	Thermometer 1187	0 to 120	2	Normally Open	1.5m Capillary
021-004	Thermometer MSRT 100	0 to 120	2	Change Over	1.5m Capillary
021-018	Thermometer 1187-T Spring mounted	0 to 120	2	Normally Open	1.5m Capillary

Enclosures

Hinges

Locks

Handles

Accessories

Rotary Operating  
Handles

Insulators

Transformer  
Equipment

Index

Enclosures

Hinges

Locks

Handles

Accessories

Rotary Operating Handles

Insulators

Transformer Equipment

Index

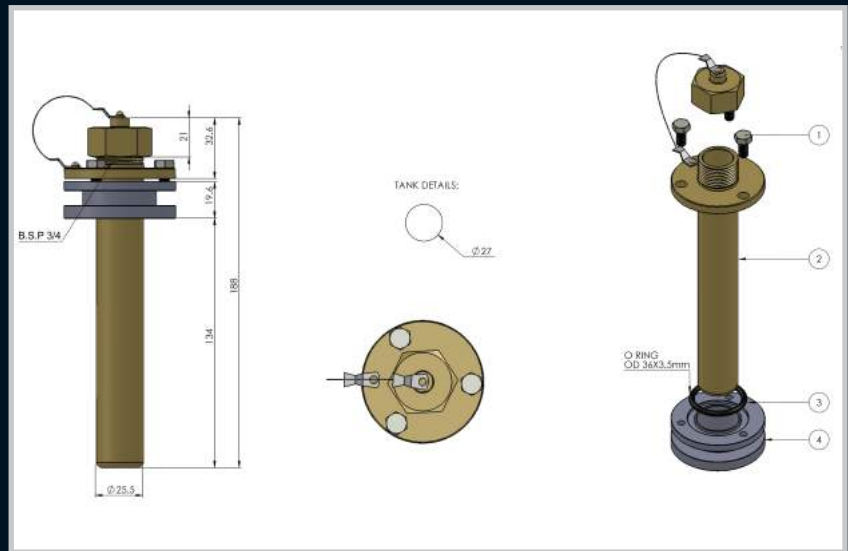


PART NUMBER	DESCRIPTION	RANGE ( Deg Celcius )	NO. OF CONTACT	TYPE OF CONTACT	BULB TYPE
021-013	Thermometer F036-AKM Oti 2C 5M	0 to 120	2	Change Over	5m Capillary
021-014	Thermometer F036-AKM Wti 2C 5M	0 to 120	2	Change Over	5m Capillary
021-015	Thermometer F036-AKM Oti 4C 12M	0 to 120	4	Change Over	12m Capillary
021-016	Thermometer F036-AKM Wti 4C 12M	0 to 120	4	Change Over	12m Capillary

Pocket Housing and Boss Assembly



**Remarks:**  
Suggested tank hole size 27mm Diameter.



PART NUMBER	DESCRIPTION
021-001	Temperature Pocket Housing and Boss