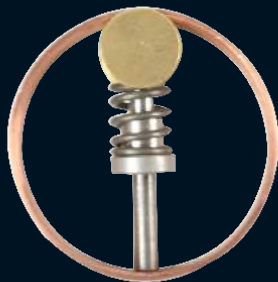


**RTS = Rotary Tap Switch**  
**LTS = Linear Tap Switch**  
**MB = Moulded Bracket**  
**BC = Butterfly Contact**  
**A = LEFT HAND**  
**B = RIGHT HAND**

## Rotary Tap Switches

### Contact Arrangement Types

All Rotary Tap - Switches are available with two types of moving contacts as indicated below:



Standard Contact Arrangement



Butterfly Contact Arrangement



PART NUMBER	DESCRIPTION	Kv	CURRENT	PHASE	TYPE	BRACKET	CONTACT
040-522	RTS 22 Kv 100A 1Ph - Type A	22	100	1	A	Steel	Std
040-523	RTS 22 Kv 100A 1Ph - Type B	22	100	1	B	Steel	Std
040-508 BC	RTS 22Kv 100A 3Ph - Type A / 90° / BC	22	100	3	A	Steel	Butterfly
040-505	RTS 22Kv 100A 3Ph - Type A / MB	22	100	3	A	Moulded	Std
040-528	RTS 22Kv 100A 3Ph - Type A	22	100	3	A	Steel	Std
040-530	RTS 22Kv 100A 3Ph - Type AB	22	100	3	AB	Steel	Std
040-530 BC	RTS 22Kv 100A 3Ph - Type AB / BC	22	100	3	AB	Steel	Butterfly
040-506 BC	RTS 22Kv 100A 3Ph - Type B / 90° / BC	22	100	3	B	Steel	Butterfly
040-501	RTS 22Kv 100A 3Ph - Type B / MB	22	100	3	B	Moulded	Std
040-527	RTS 22Kv 100A 3Ph - Type B	22	100	3	B	Steel	Std

Enclosures

Hinges

Locks

Handles

Accessories

Rotary Operating  
Handles

Insulators

Transformer  
Equipment

Index

Enclosures

Hinges

Locks

Handles

Accessories

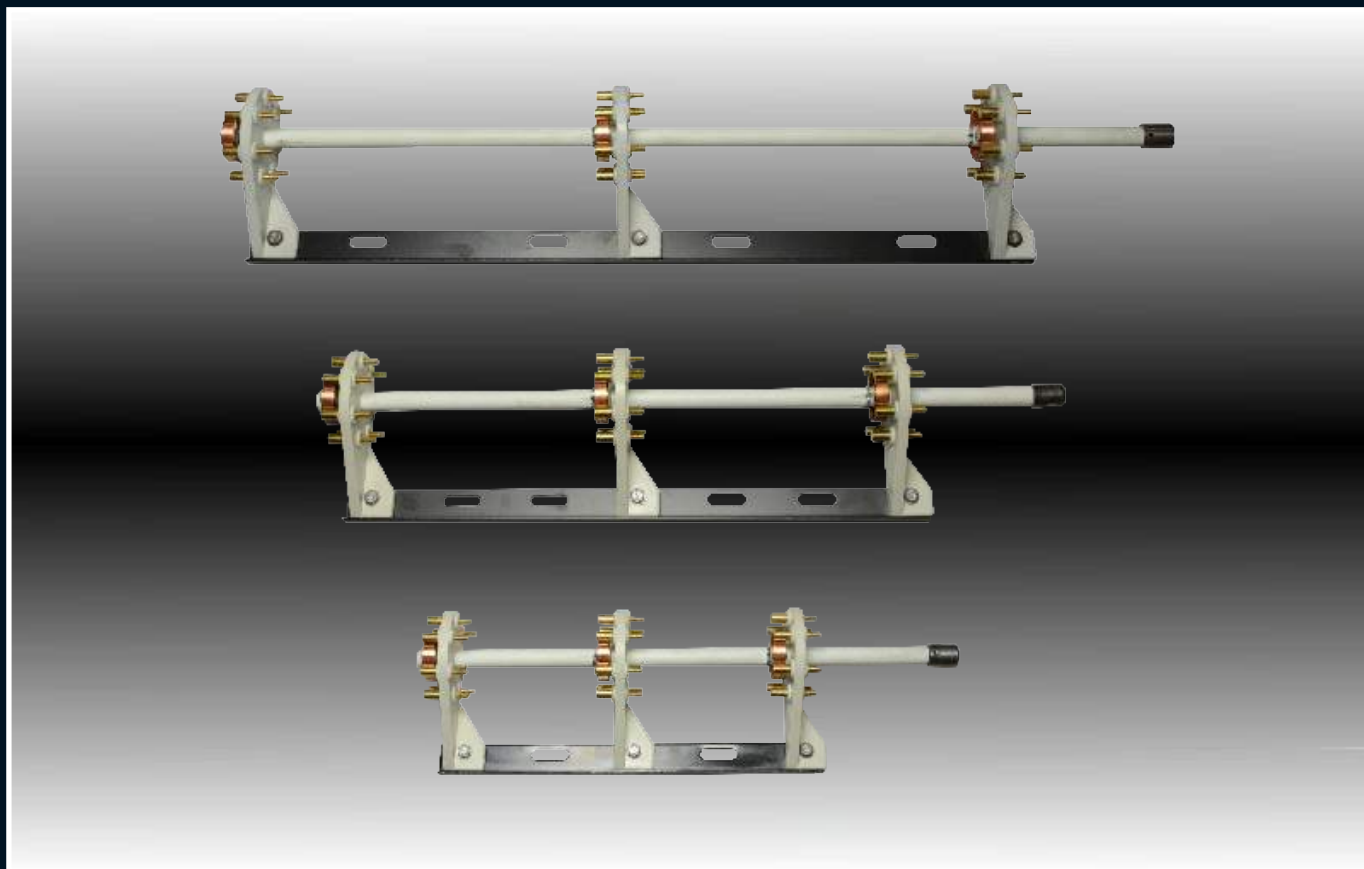
Rotary Operating  
Handles

Insulators

Transformer  
Equipment

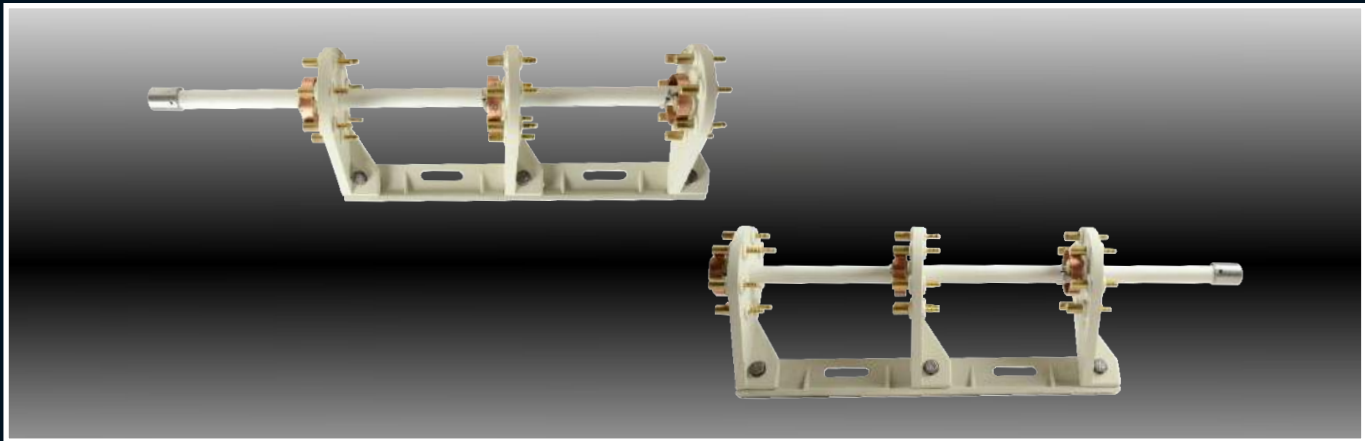
Index

**RTS = Rotary Tap Switch**  
**LTS = Linear Tap Switch**  
**MB = Moulded Bracket**  
**BC = Butterfly Contact**  
**A = LEFT HAND**  
**B = RIGHT HAND**

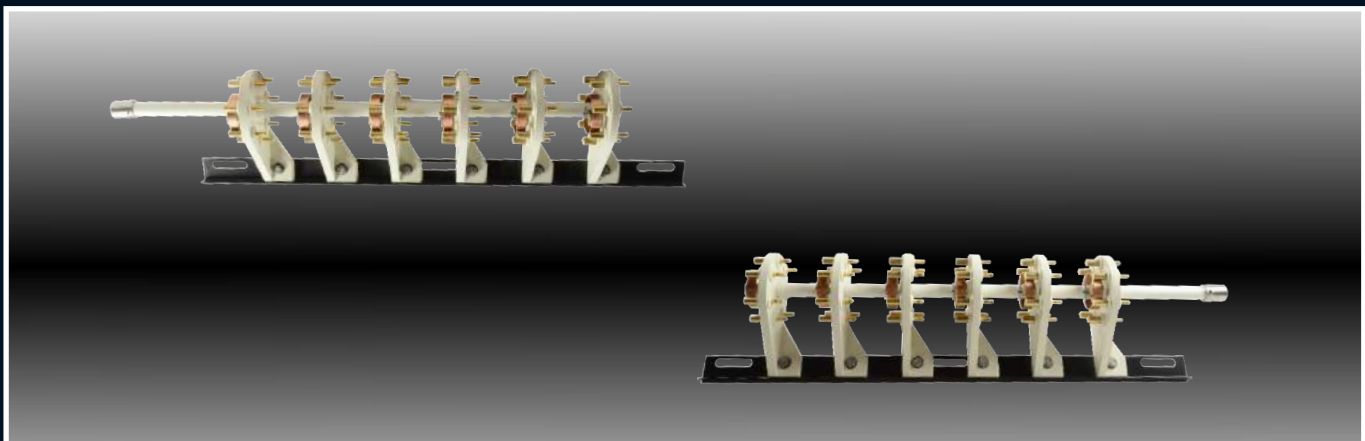


PART NUMBER	DESCRIPTION	Kv	CURRENT	PHASE	TYPE	BRACKET	CONTACT
040-534	RTS 22Kv 100A 3Ph ( 180 CNT ) Type AB	22	100	3	AB	Steel	Std
040-533	RTS 22Kv 100A 3Ph ( 270 CNT ) Type AB	22	100	3	AB	Steel	Std
040-532	RTS 22Kv 100A 3Ph ( 360 CNT ) Type AB	22	100	3	AB	Steel	Std
040-521	RTS 22Kv 100A 3Ph (180 CNT) Type A	22	100	3	A	Steel	Std
040-518	RTS 22Kv 100A 3Ph (180 CNT) Type B	22	100	3	B	Steel	Std
040-520	RTS 22Kv 100A 3Ph (270 CNT) Type A	22	100	3	A	Steel	Std
040-517	RTS 22Kv 100A 3Ph (270 CNT) Type B	22	100	3	B	Steel	Std
040-519	RTS 22Kv 100A 3Ph (360 CNT) Type A	22	100	3	A	Steel	Std
040-516	RTS 22Kv 100A 3Ph (360 CNT) Type B	22	100	3	B	Steel	Std

**RTS = Rotary Tap Switch**  
**LTS = Linear Tap Switch**  
**MB = Moulded Bracket**  
**BC = Butterfly Contact**  
**A = LEFT HAND**  
**B = RIGHT HAND**



PART NUMBER	DESCRIPTION	Kv	CURRENT	PHASE	TYPE	BRACKET	CONTACT
040-512	RTS 33Kv 100A 3Ph - Type A / MB	33	100	3	A	Moulded	Std
040-529 BC	RTS 33Kv 100A 3Ph - Type AB / BC	33	100	3	AB	Moulded	Butterfly
040-529	RTS 33Kv 100A 3Ph - Type AB / MB	33	100	3	AB	Moulded	Std
040-500	RTS 33Kv 100A 3Ph - Type B / MB	33	100	3	B	Moulded	Std



PART NUMBER	DESCRIPTION	Kv	CURRENT	PHASE	TYPE	BRACKET	CONTACT
040-513	RTS 22Kv 100A 6Ph - Type A	22	100	6	A	Steel	Std
040-531	RTS 22Kv 100A 6Ph - Type AB	22	100	6	AB	Steel	Std
040-502	RTS 22Kv 100A 6Ph - Type B	22	100	6	B	Steel	Std

Enclosures

Hinges

Locks

Handles

Accessories

Rotary Operating  
Handles

Insulators

Transformer  
Equipment

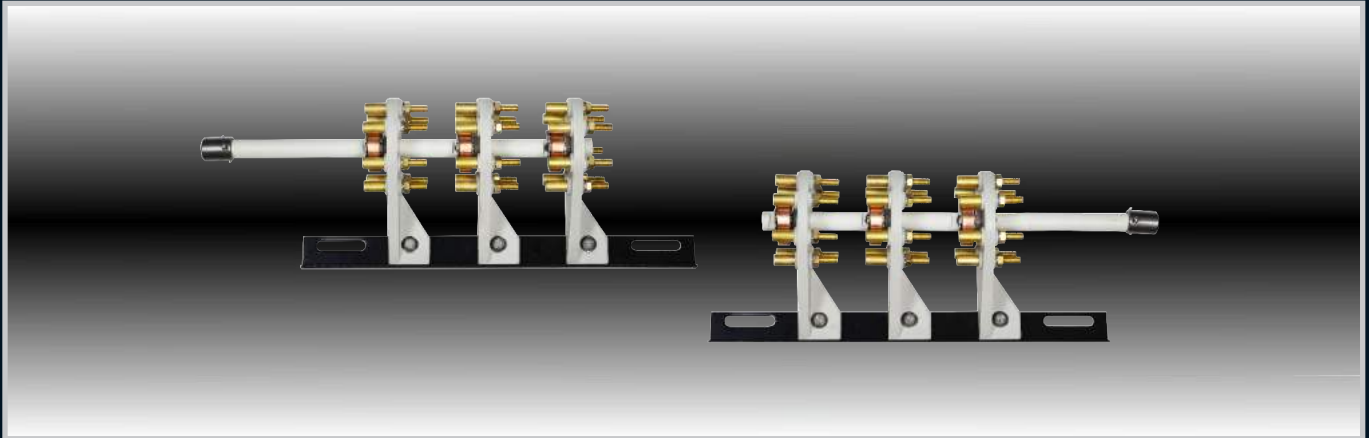
Index

Enclosures

**RTS = Rotary Tap Switch**  
**LTS = Linear Tap Switch**  
**MB = Moulded Bracket**  
**BC = Butterfly Contact**  
**A = LEFT HAND**  
**B = RIGHT HAND**

Hinges

Locks



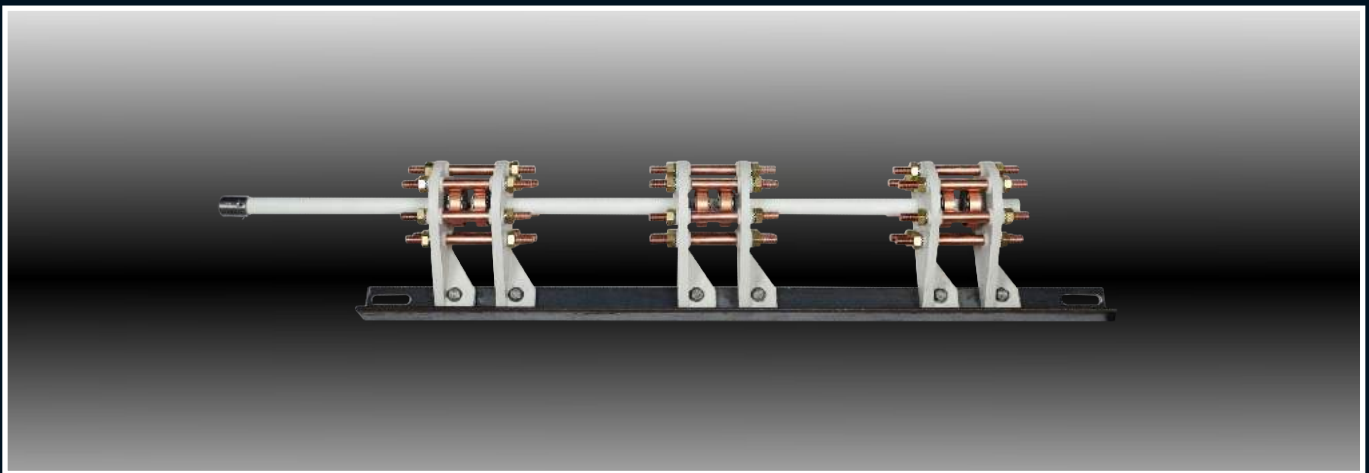
Handles

PART NUMBER	DESCRIPTION	Kv	CURRENT	PHASE	TYPE	BRACKET	CONTACT
040-509 BC	RTS 22Kv 150A 3Ph - Type A / 90° / BC	22	150	3	A	Steel	Butterfly
040-510 BC	RTS 22Kv 150A 3Ph - Type A / BC	22	150	3	A	Steel	Butterfly
040-511 BC	RTS 22Kv 150A 3Ph - Type B / 90° / BC	22	150	3	B	Steel	Butterfly
040-507 BC	RTS 22Kv 150A 3Ph - Type B / BC	22	150	3	B	Steel	Butterfly

Accessories

Rotary Operating Handles

Insulators

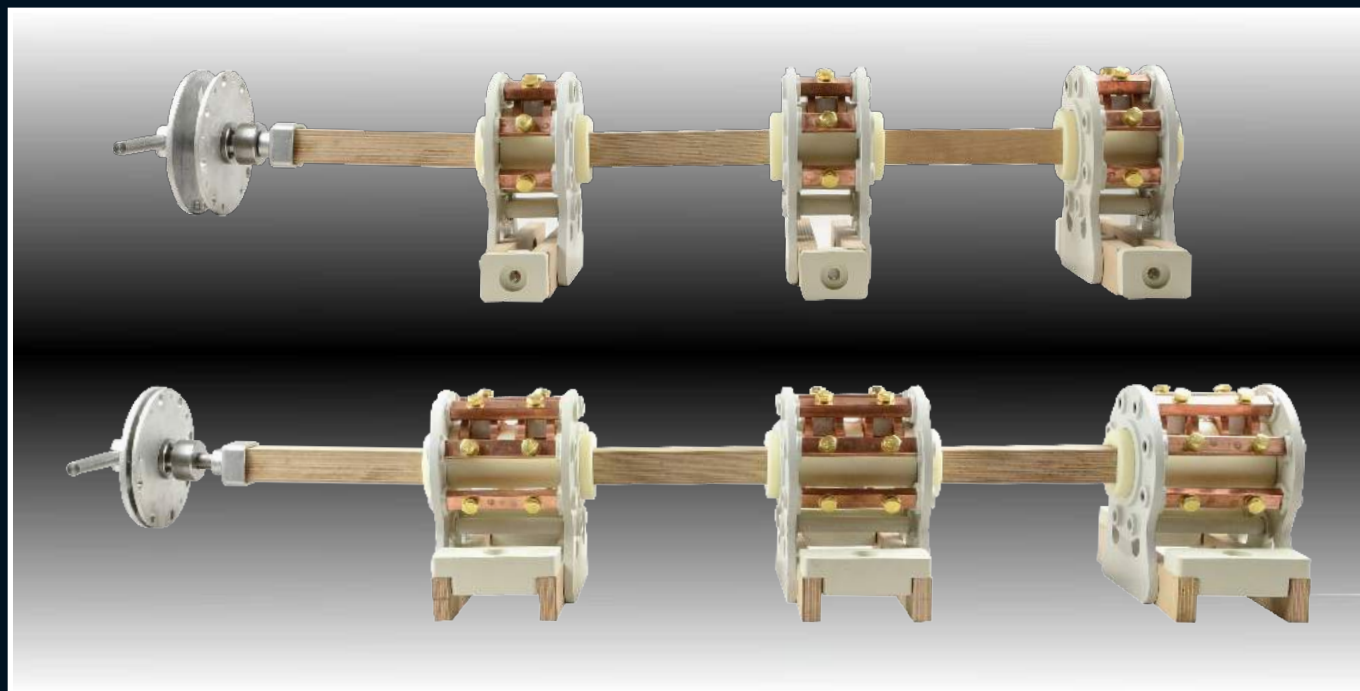


Transformer Equipment

PART NUMBER	DESCRIPTION	Kv	CURRENT	PHASE	TYPE	BRACKET	CONTACT
040-514 BC	RTS 22Kv 300A 3Ph - Type A / BC	22	300	3	A	Steel	Butterfly
040-538 BC	RTS 22Kv 300A 3Ph - Type AB / BC	22	300	3	AB	Steel	Butterfly
040-503 BC	RTS 22Kv 300A 3Ph - Type B / BC	22	300	3	B	Steel	Butterfly

Index

**SC = Slide Contact**  
**RTS = Rotary Tap Switch**  
**LTS = Linear Tap Switch**  
**MB = Moulded Bracket**  
**BC = Butterfly Contact**  
**A = LEFT HAND**  
**B = RIGHT HAND**



PART NUMBER	DESCRIPTION	Kv	CURRENT	PHASE	TYPE	BRACKET	CONTACT
040-543	RTS 88Kv 315A 3Ph - Type AB	88	315	3	AB	Permali	T - Type
040-542	RTS 88Kv 630A 3Ph - Type AB	88	630	3	AB	Permali	T - Type

## Linear Tap Switches



PART NUMBER	DESCRIPTION	Kv	CURRENT	PHASE	TYPE	BRACKET	CONTACT
040-526	LTS 22Kv 30A 2Ph 5Pos	22	30	2	N/A	Nylon	Linear
040-525	LTS 22Kv 30A 3Ph 5Pos	22	30	3	N/A	Nylon	Linear

Enclosures

Hinges

Locks

Handles

Accessories

Rotary Operating  
Handles

Insulators

Transformer  
Equipment

Index

Enclosures

Hinges

Locks

Handles

Accessories

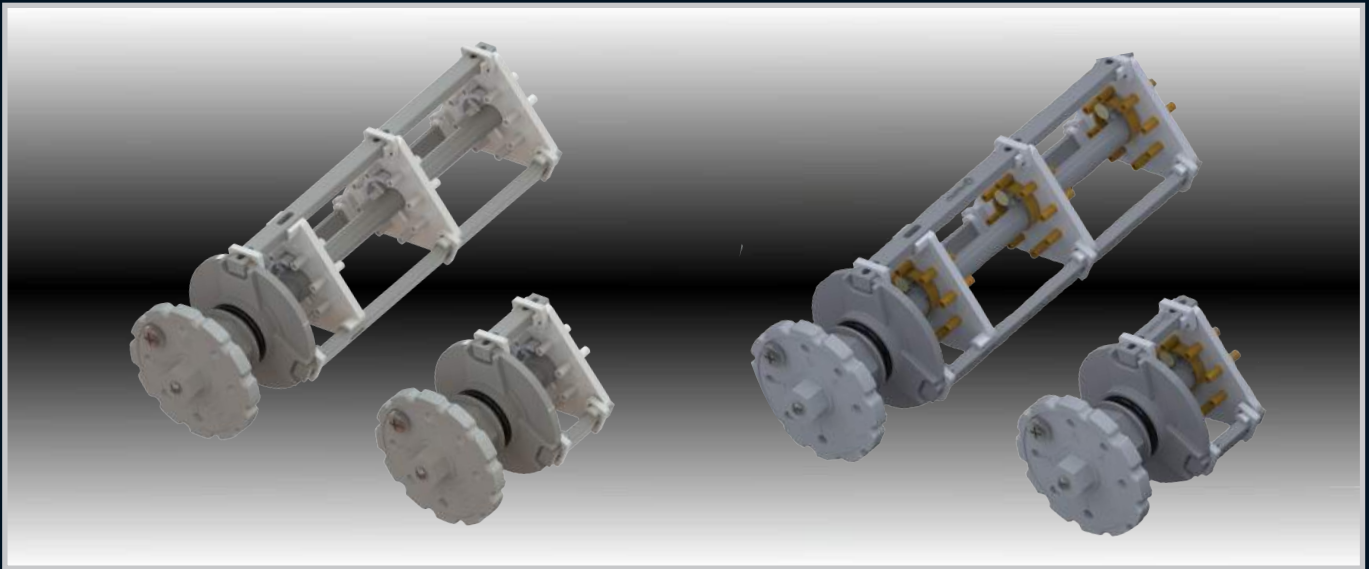
Rotary Operating Handles

Insulators

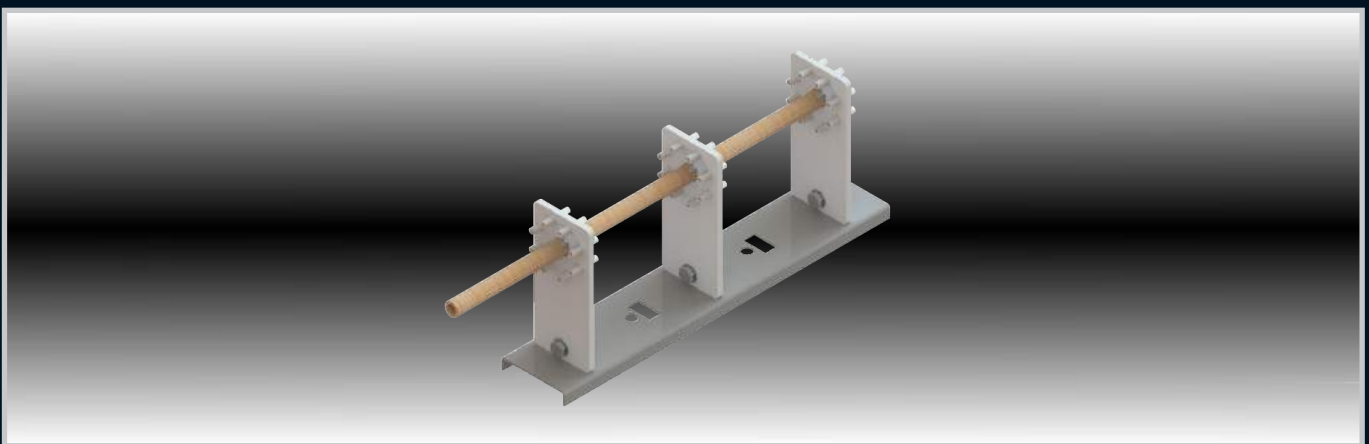
Transformer Equipment

Index

**RTS = Rotary Tap Switch**  
**LTS = Linear Tap Switch**  
**MB = Moulded Bracket**  
**BC = Butterfly Contact**  
**A = LEFT HAND**  
**B = RIGHT HAND**



PART NUMBER	DESCRIPTION	Kv	CURRENT	PHASE	TYPE	BRACKET	CONTACT
040-580X	RTS 33Kv 60A 1PH 7 POS - SC	33	60A	1	N/A	N/A	Slide
040-581X	RTS 33Kv 60A 3PH 7 POS - SC	33	60A	3	N/A	N/A	Slide
040-585X	RTS 33Kv 60A 1PH 7POS - RC/DP	33	60A	1	N/A	N/A	Slide
040-586X	RTS 33Kv 60A 3PH 7POS - RC/DP	33	60A	3	N/A	N/A	Slide



PART NUMBER	DESCRIPTION	Kv	CURRENT	PHASE	TYPE	CONTACT
040-582/X	RTS 33Kv 60A 3Ph 7 POS - SC/SP	33	60A	3	AB	Slide
040-583/X	RTS 6.6Kv 60A 3Ph 7 POS - SC/SP	6.6	60A	3	AB	Slide
040-584/X	RTS 33Kv 60A 1Ph 7 POS - SC/SP	33	60A	1	AB	Slide