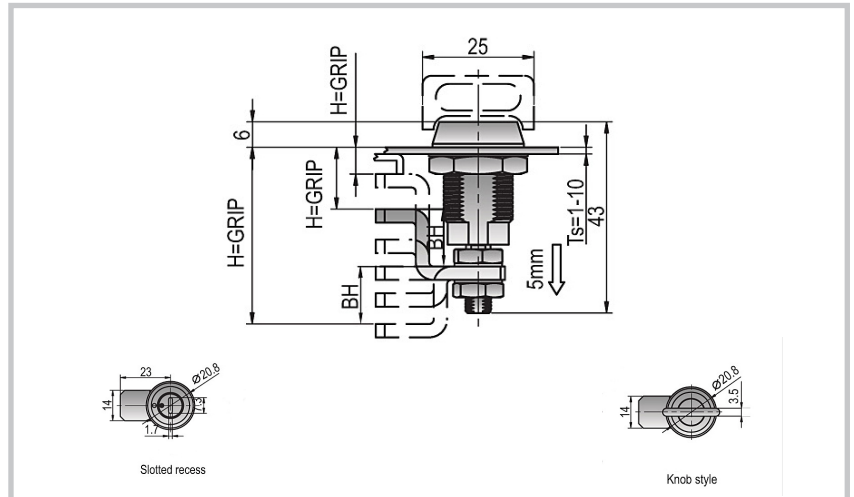
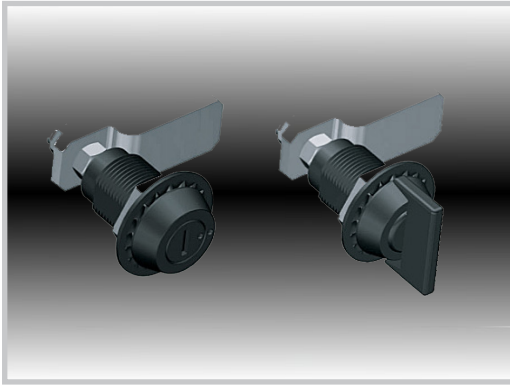
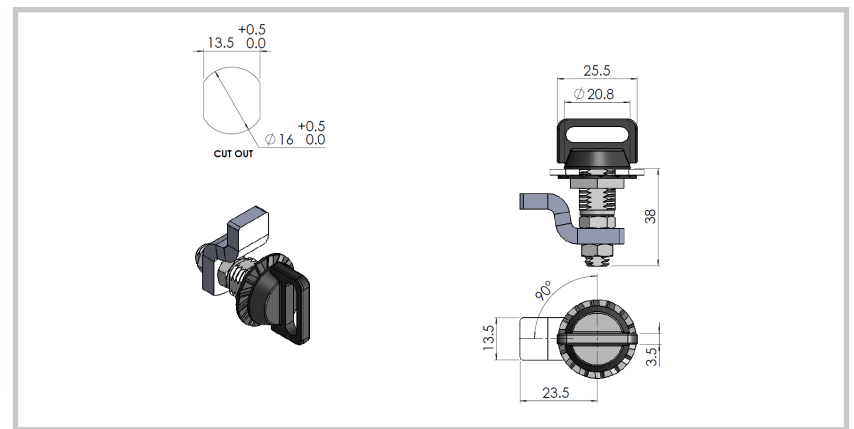


Locks

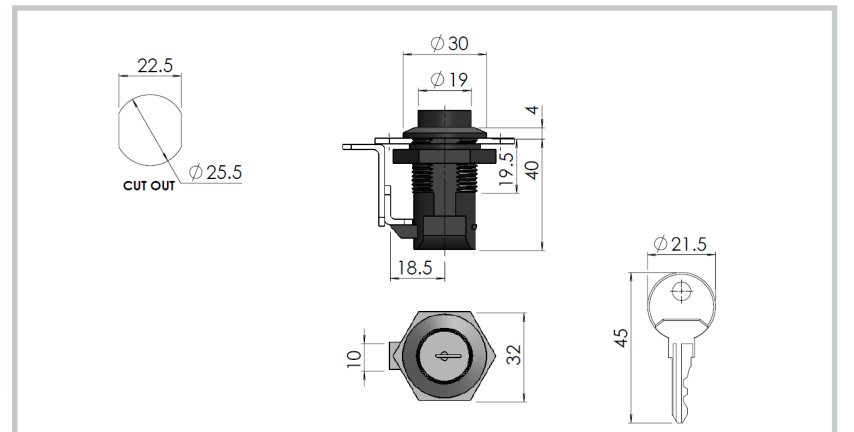
Quarter Turns - 22 Series



Grip Range	Product Number Slotted Recess	Product Number Knob Style
3.2-6.4	13.05.15	13.08.15
6.4-9.5	13.05.25	13.08.25
9.5-12.7	13.05.35	13.08.35
12.7-15.9	13.05.45	13.08.45
15.9-19	13.05.55	13.08.55
19-22.2	13.05.65	13.08.65
22.2-25.4	13.05.75	13.08.75
25.4-28.6	13.05.85	13.08.85



Part Number	Description
16.3.38.W/COM	Wing knob compression latch



Part Number	Description
22.2.25.B/K	Wing knob compression latch