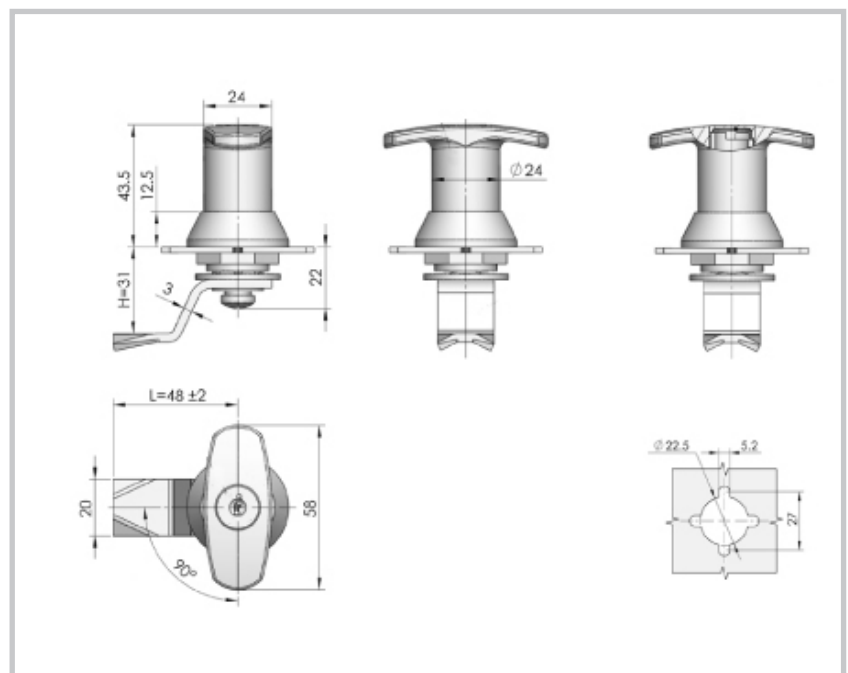
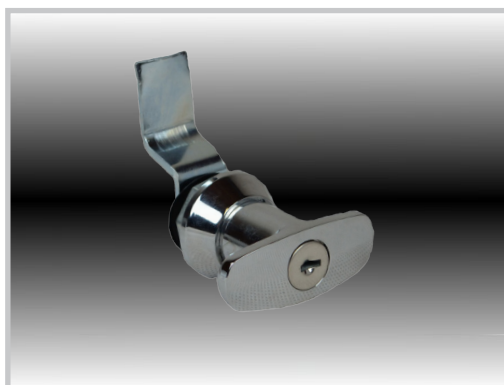


Remarks:

For drive options refer to page 125 and 126

Part Number	Description	H (mm)	L (mm)
22.1.18B/SS6.18	Full stainless steel with natural finish	18	50
22.1.18B/SS6.20	Full stainless steel with natural finish	20	20
22.1.18B/SS6.22	Full stainless steel with natural finish	22	50
22.1.18B/SS6.25	Full stainless steel with natural finish	25	50
22.1.18B/SS6.36	Full stainless steel with natural finish	36	50
22.1.18B/SS6.41	Full stainless steel with natural finish	41	50
22.1.18B/SS6.47	Full stainless steel with natural finish	47	50
22.1.18B/SS6.50	Full stainless steel with natural finish	50	50
22.1.18B/SS8.18	Full stainless steel with natural finish	18	50
22.1.18B/SS8.20	Full stainless steel with natural finish	20	50
22.1.18B/SS8.22	Full stainless steel with natural finish	22	50
22.1.18B/SS8.25	Full stainless steel with natural finish	25	50
22.1.18B/SS8.36	Full stainless steel with natural finish	36	50
22.1.18B/SS8.41	Full stainless steel with natural finish	41	50
22.1.18B/SS8.47	Full stainless steel with natural finish	47	50
22.1.18B/SS8.50	Full stainless steel with natural finish	50	50

T - Handle



Remarks:

For drive options refer to page 125 and 126

Part Number	Description
22.3.31.58.K/C	Key lockable T-handle , Chrome