

Enclosures

Hinges

Locks

Handles

Accessories

Rotary Operating Handles

Insulators

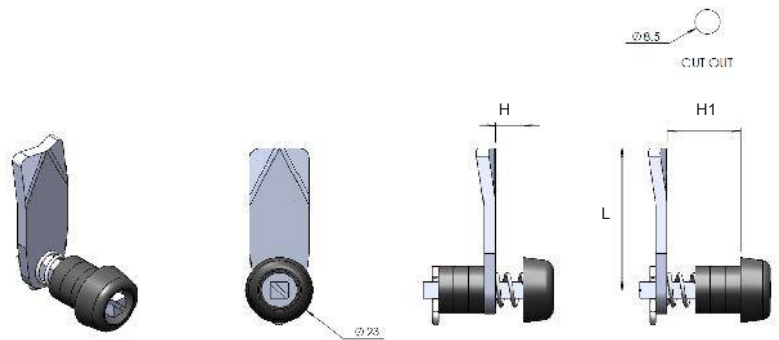
Transformer Equipment

Index

### Spring Loaded Locks



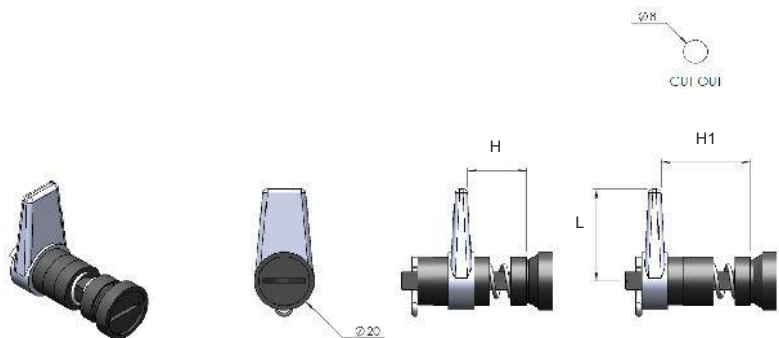
**Remarks:**  
Spring loaded latch with adjustable depths.



Part Number	Description	H (mm)	H1 (mm)	L (mm)
222309	Polyamide body MS shaft and Cam	8	25	34



**Remarks:**  
Spring loaded coin lock with adjustable depths.



Part Number	Description	H (mm)	H1 (mm)	L (mm)
8.5.271.01N	Polyamide black body, MS cam, MS spring	5	13	30
8.5.371.01N	Polyamide black body, MS cam, MS spring	5	23	30
8.5.271.04Z/N	Polyamide black body, MS cam, MS spring	1.5	27	34
8.5.371.04Z/N	Polyamide black body, MS cam, MS spring	1.5	37	34
8.5.271.05Z/N	Polyamide black body, MS cam, MS spring	1.5	27	48
8.5.371.05Z/N	Polyamide black body, MS cam, MS spring	1.5	37	48
8.5.271.06	Polyamide black body, MS cam, MS spring	4	28	49
8.5.371.06	Polyamide black body, MS cam, MS spring	4	38	49
8.5.271.09Z/N	Polyamide black body, MS cam, MS spring	5	16	37
8.5.371.09Z/N	Polyamide black body, MS cam, MS spring	5	26	37