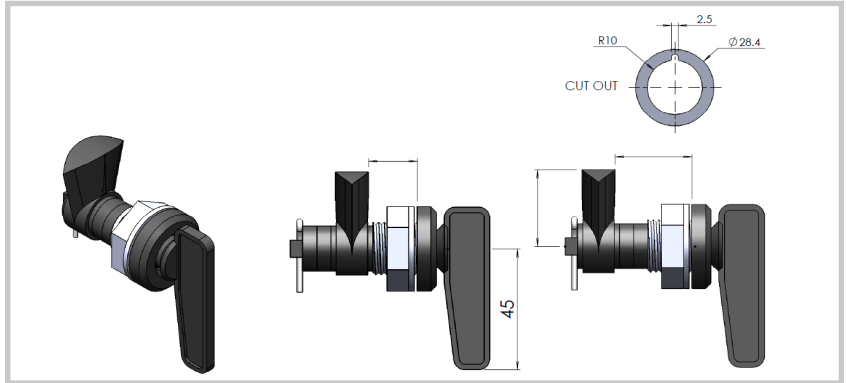


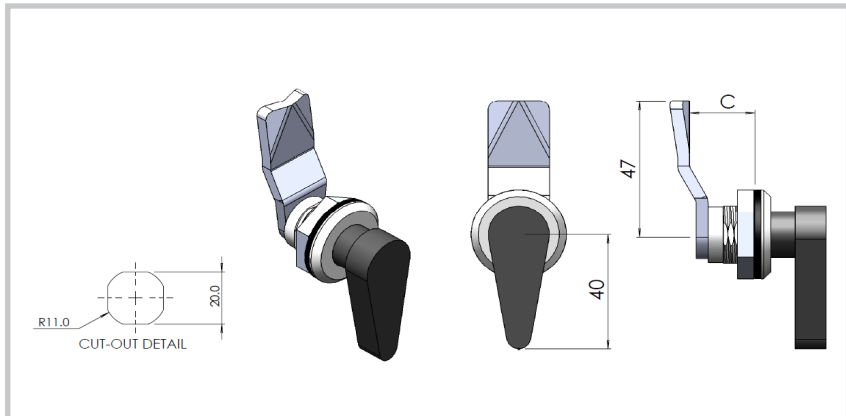
Mini Lever locks



Remarks:

Mini lever lock with adjustable depths, refer to page 125 and 126 for cam selection.

Part Number	Description	L (mm)	H (mm)	H1 (mm)
20.7.331.01	ZDC body and lever, Black powder coated	30	17	28
20.7.561.01	ZDC body and lever, Black powder coated	30	17	45
20.7.331.04n/z	ZDC body and lever, Black powder coated	34	7	43
20.7.561.04n/z	ZDC body and lever, Black powder coated	34	7	59
20.7.331.05n/z	ZDC body and lever, Black powder coated	48	6	43
20.7.561.05n/z	ZDC body and lever, Black powder coated	48	6	59
20.7.331.06P	ZDC body and lever, Black powder coated	49	13	35
20.7.561.06	ZDC body and lever, Black powder coated	49	13	49
20.7.331.08	ZDC body and lever, Black powder coated	49	13	35
20.7.561.08	ZDC body and lever, Black powder coated	49	13	49
20.7.331.09n/z	ZDC body and lever, Black powder coated	37	18	33
20.7.561.09n/z	ZDC body and lever, Black powder coated	37	18	48



Remarks:

Mini lever lock with adjustable depths, refer to page 125 and 126 for cam selection.

Part Number	Description	L (mm)	H (mm)
T26.20	ZDC Body with stainless steel cam	47	20
T26.22	ZDC Body with stainless steel cam	47	22
T26.25	ZDC Body with stainless steel cam	47	25
T26.36	ZDC Body with stainless steel cam	47	36
T26.41	ZDC Body with stainless steel cam	47	41
T26.45	ZDC Body with stainless steel cam	47	45