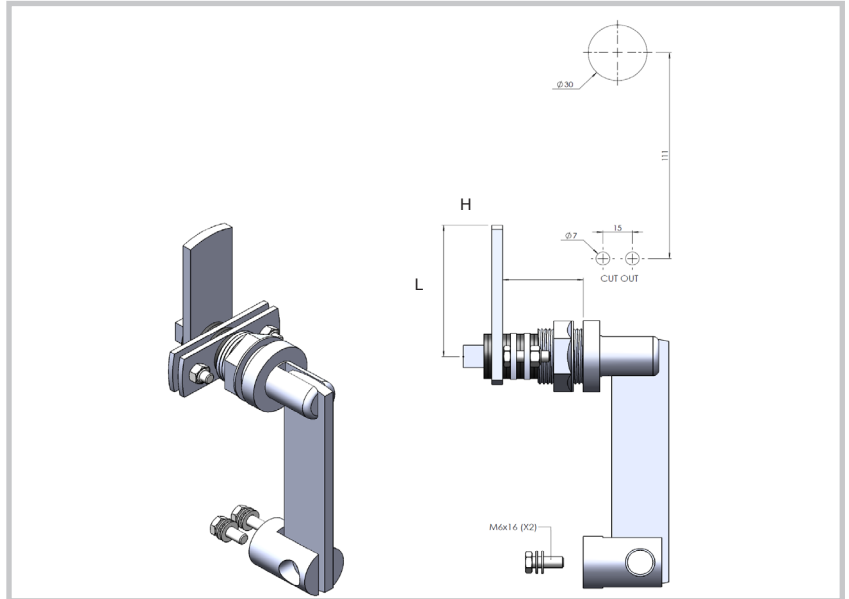


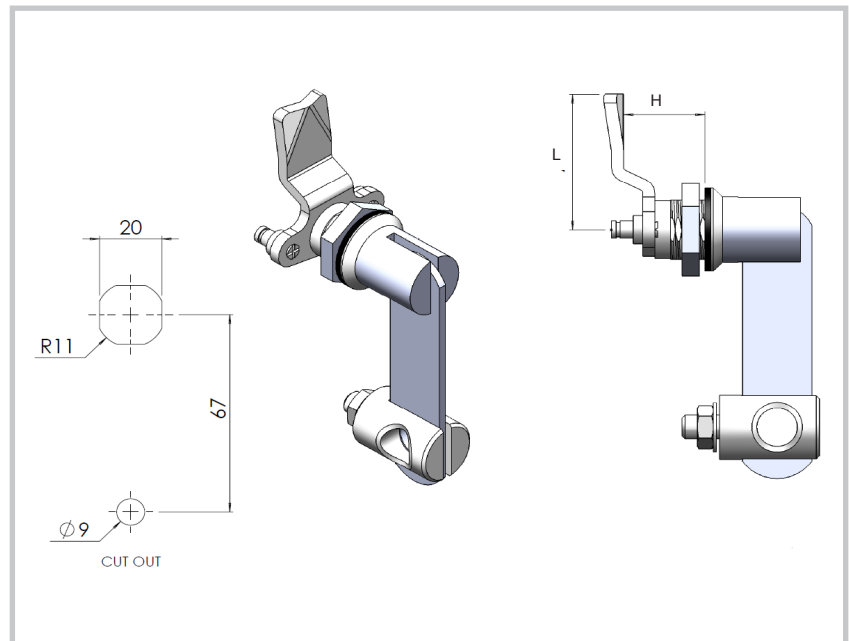
Remarks:
Heavy duty lever lock available in ZDC or stainless steel.



Part Number	Description	H (mm)	L (mm)
1010175	ZDC body and MS Cam	45	70
1010175S/S	Complete Stainless steel	45	70



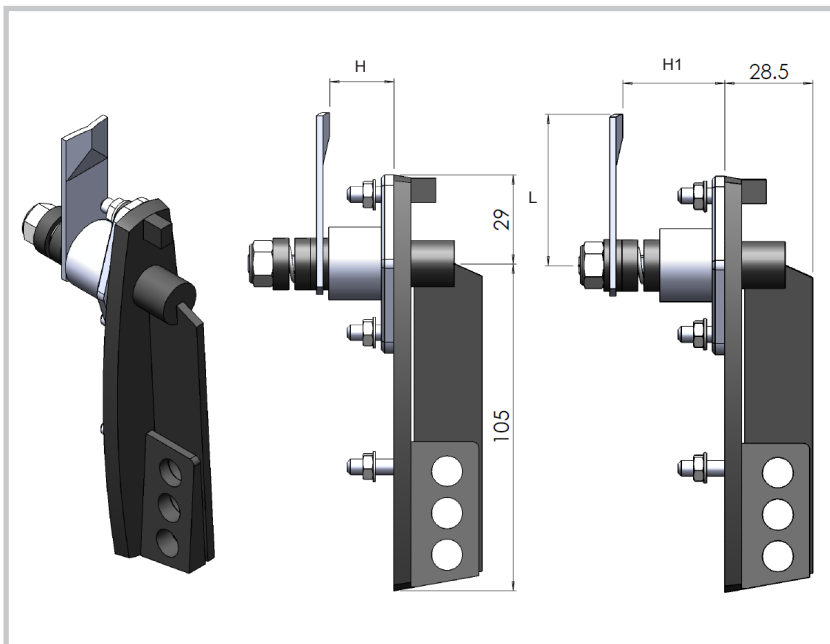
Remarks:
IP65 quarter turn lever lock Eskom approved.
Refer to page 125 and 126 for cam selection.



Part Number	Description	L (mm)	H (mm)
22.04.08.1S/S	Complete stainless steel	46	22
22.04.08S/S	Complete stainless steel	46	26



Remarks:
Municipal safety lever lock with a 3 hole locking system.

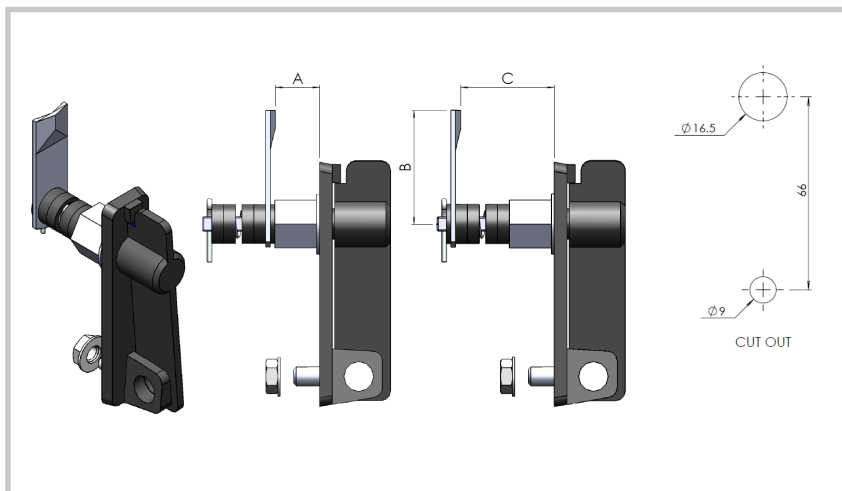


Part Number	Description	H (mm)	L (mm)	H1 (mm)
16.4.432.01/MS/3H	ZDC body with MS cam	30	35	30
16.4.432.02/MS/3H	ZDC body with MS cam	22	38	32
16.4.432.03/MS/3H	ZDC body with MS cam	28	40	38
16.4.432.04/MS/3H	ZDC body with MS cam	25	30	31
16.4.432.05/MS/3H	ZDC body with MS cam	25	31	50
16.4.432.06/MS/3H	ZDC body with MS cam	22	55	48
16.4.612.01/MS/3H	ZDC body with MS cam	30	50	30
16.4.612.02/MS/3H	ZDC body with MS cam	20	50	32
16.4.612.03/MS/3H	ZDC body with MS cam	28	52	38
16.4.612.04/MS/3H	ZDC body with MS cam	25	64	31
16.4.612.05/MS/3H	ZDC body with MS cam	25	64	50
16.4.612.06/MS/3H	ZDC body with MS cam	22	55	48
16.4.432.01/SS/3H	Complete stainless steel body and cam	30	35	30
16.4.432.02/SS/3H	Complete stainless steel body and cam	22	38	32
16.4.432.03/SS/3H	Complete stainless steel body and cam	28	40	38
16.4.432.04/SS/3H	Complete stainless steel body and cam	25	30	31
16.4.432.05/SS/3H	Complete stainless steel body and cam	25	31	50
16.4.432.05/SS/3H	Complete stainless steel body and cam	22	55	48
16.4.612.01/SS/3H	Complete stainless steel body and Cam	30	35	30
16.4.612.02/SS/3H	Complete stainless steel body and Cam	22	38	32
16.4.612.03/SS/3H	Complete stainless steel body and Cam	28	40	38
16.4.612.04/SS/3H	Complete stainless steel body and Cam	25	30	31
16.4.612.05/SS/3H	Complete stainless steel body and Cam	25	31	50
16.4.612.06/SS/3H	Complete stainless steel body and Cam	22	55	48

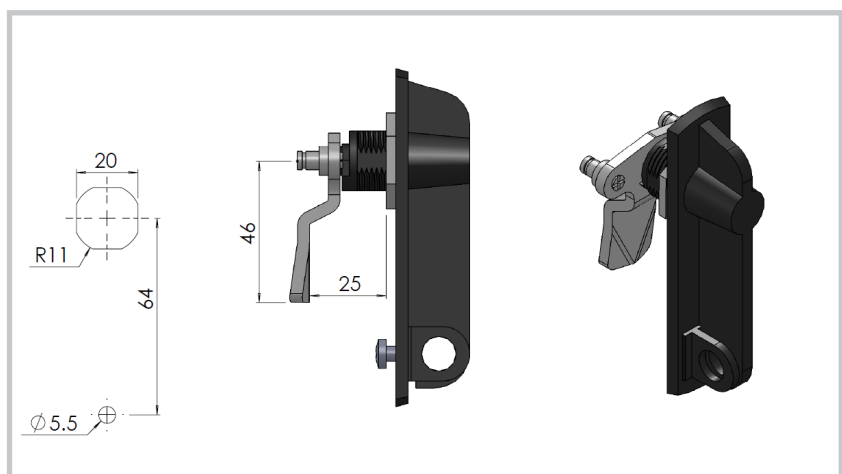


Remarks:

Light duty lever lock with adjustable depths, refer to pages 125 and 126 for cam selection.



Part Number	Description	A (mm)	B (mm)	C (mm)
16.4.432.01	ZDC Body with MS cam,Black powder coated	22	30	30
16.4.612.01	ZDC Body with MS cam,Black powder coated	22	50	30
16.4.432.04n/z	ZDC Body with MS cam,Black powder coated	11	47	34
16.4.612.04n/z	ZDC Body with MS cam,Black powder coated	11	65	34
16.4.432.05n/z	ZDC Body with MS cam,Black powder coated	11	47	48
16.4.612.05n/z	ZDC Body with MS cam,Black powder coated	11	65	48
16.4.432.06	ZDC Body with MS cam,Black powder coated	17	37	49
16.4.612.06	ZDC Body with MS cam,Black powder coated	17	55	49
16.4.432.08	ZDC Body with MS cam,Black powder coated	17	37	49
16.4.612.08	ZDC Body with MS cam,Black powder coated	17	55	49
16.4.432.09n/z	ZDC Body with MS cam,Black powder coated	22	35	37
16.4.612.09n/z	ZDC Body with MS cam,Black powder coated	22	53	37



Part Number	Description	L (mm)	H (mm)
22.4.00.08.1	ZDC Black powder coated, MS cam Galvanized	46	22
22.4.00.08	ZDC Black powder coated, MS cam Galvanized	46	25