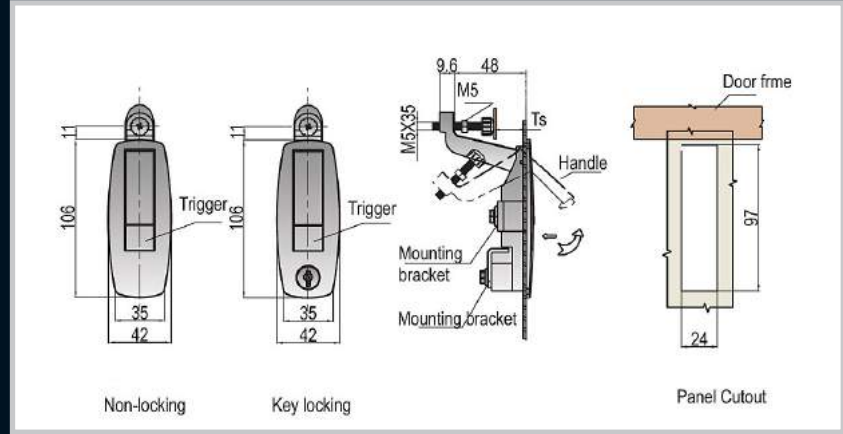


Enclosures

Hinges



Non-locking

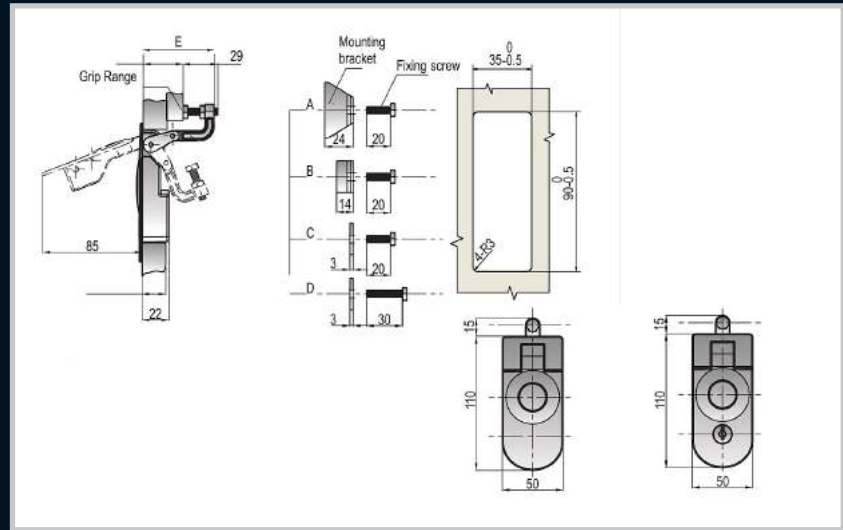
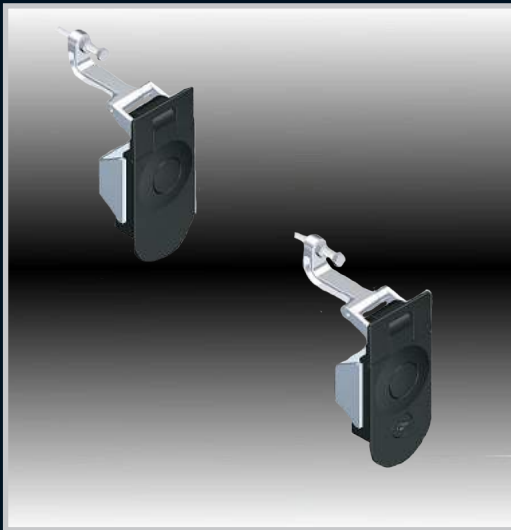
Key locking

Panel Cutout

Locks

Part Number	Description
97.10.K	Key locking , Mild Steel
97.00.0	Non locking, Mild steel

Handles



Accessories

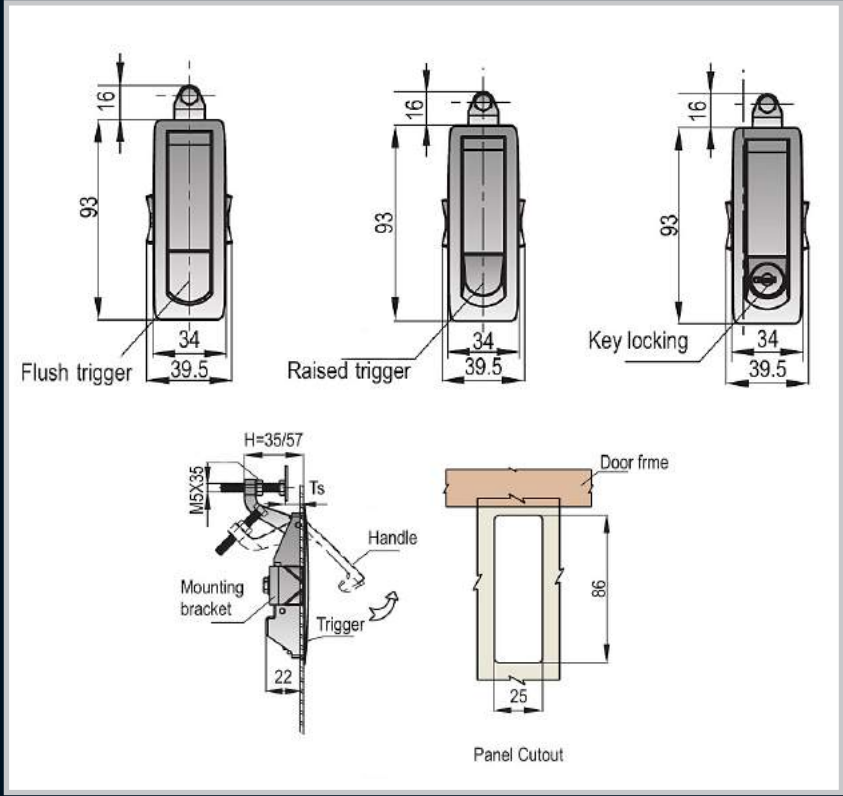
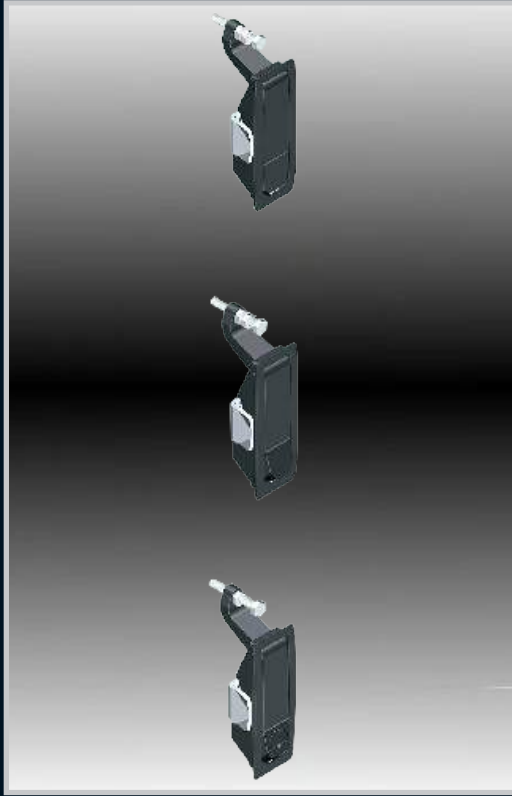
Rotary Operating Handles

Insulators

Transformer Equipment

Index

Product Number	Description	Panel Thickness	Grip Range	Mounting Bracket
		min-max	min-max	
90.114.201	Non locking	1-11	1-14	A
90.214.201	Key locking	1-11	1-14	A
90.114.202	Non locking	11-21	1-14	B
90.214.202	Key locking	11-21	1-14	B



Remarks:
Available in short and long cam option.

Product Number		Trigger Style
Chrome	Black Powder Coated	
86.124.30	86.124.10	Non locking raised trigger
86.224.30	86.224.10	Non locking flush trigger
86.324.30	86.324.10	Key locking
86.424.30	86.424.10	Key locking
86.524.30	86.524.10	Tooling secured

Enclosures

Hinges

Locks

Handles

Accessories

Rotary Operating
Handles

Insulators

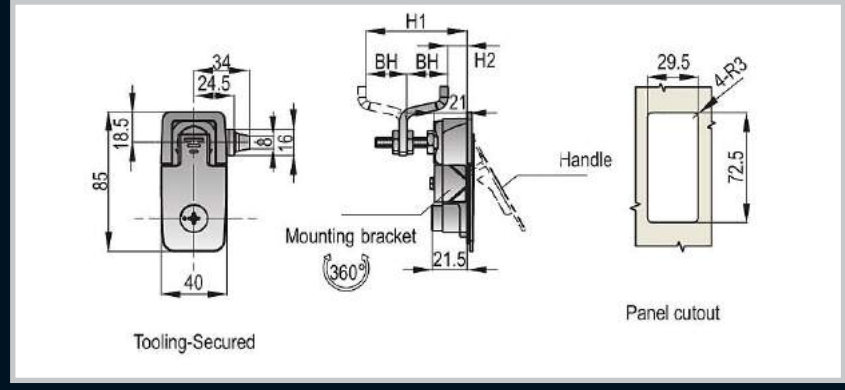
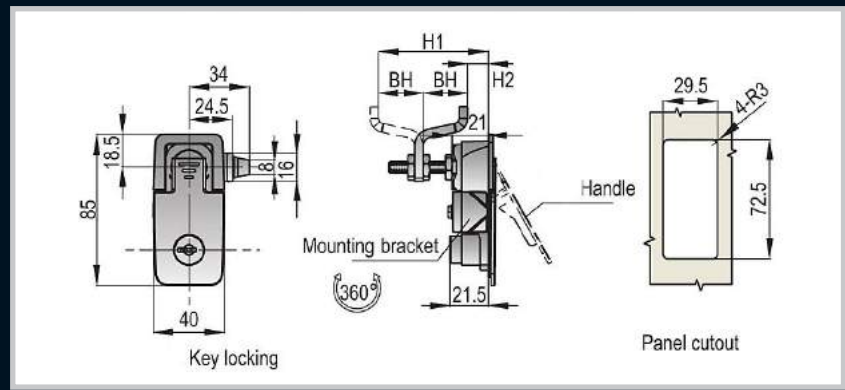
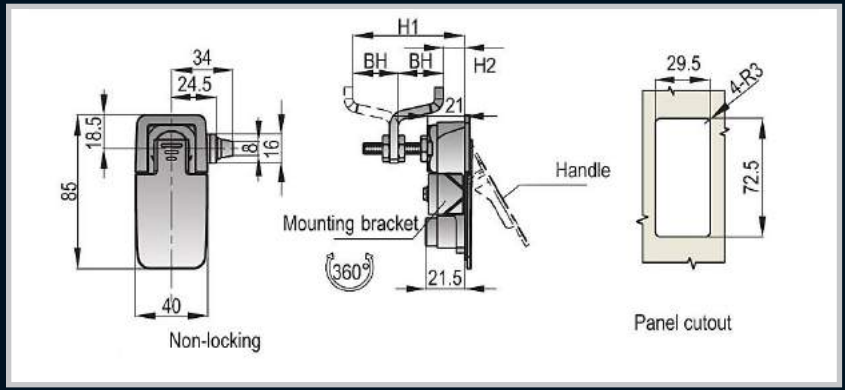
Transformer
Equipment

Index

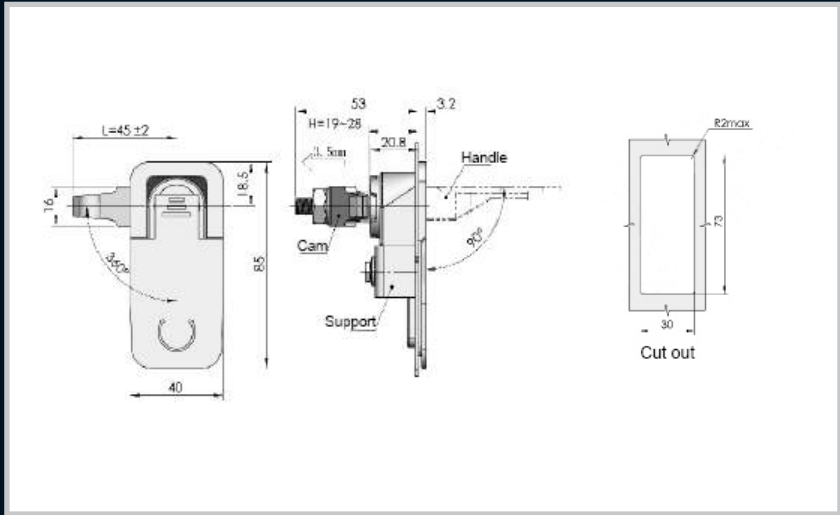
Locks Lever Latches



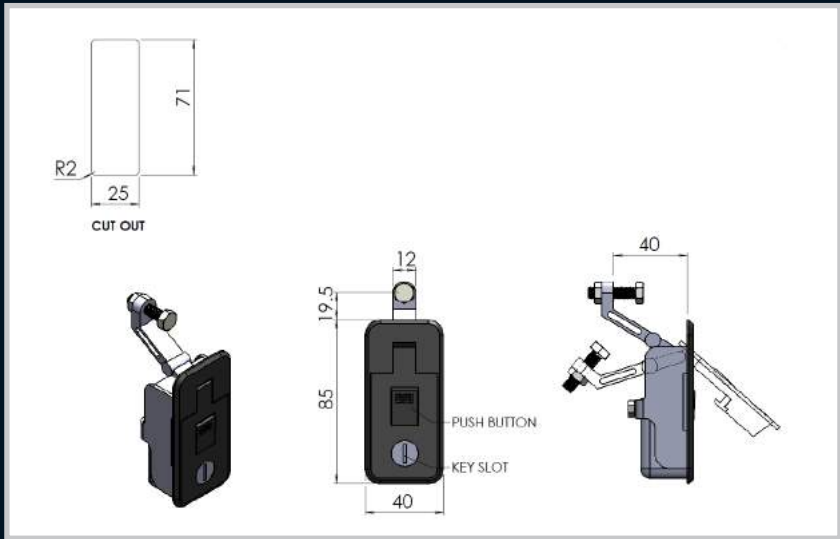
- Enclosures
- Hinges
- Locks
- Handles
- Accessories
- Rotary Operating Handles
- Insulators
- Transformer Equipment
- Index



Product Number	Cylinder Style		Cam Reversed		Cam Forward	
	Chrome	Black Powder Coated	min - max		min - max	
72.00.130	72.00.110	Non-locking	56 - 66		6-16	
72.00.230	72.00.210	Non-locking	46 - 56		16 - 26	
72.00.330	72.00.310	Non-locking	36 - 46		26 - 36	
72.10.130	72.10.110	Key lockable	56 - 66		6 - 16	
72.10.230	72.10.210	Key lockable	46 - 56		6 - 16	
72.10.330	72.10.310	Key lockable	36 - 46		26 - 36	
72.11.130	72.11.110	Tooling Secured	56 - 66		6 - 16	
72.11.230	72.11.210	Tooling Secured	46 - 56		16 - 26	
72.11.330	72.11.310	Tooling Secured	36 - 46		26 - 36	

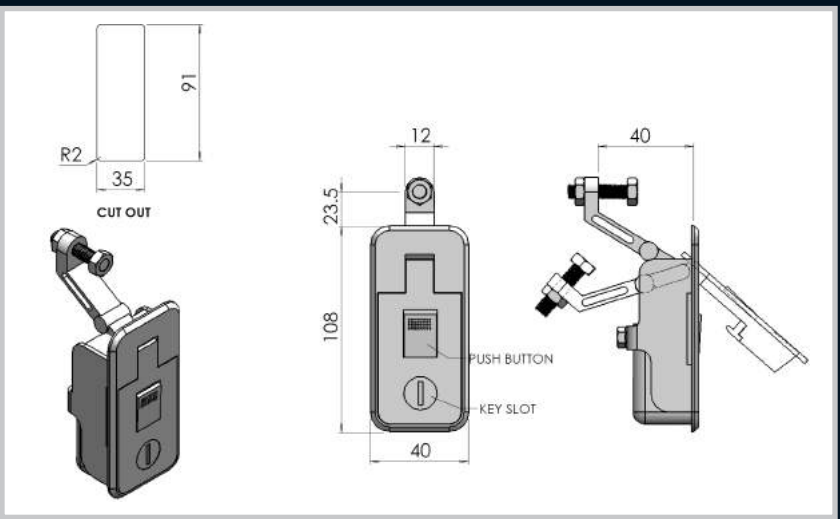


Part Number	Description
72.2.28.B	Non locking compression latch, Black powder coated



Remarks:
Quick release flush compression lock.
Available in Chrome or Black.

Part Number	Description
71.1.85C/K	Chrome plated ZDC
71.1.85B/K	Black Powder Coated ZDC



Remarks:
Quick release flush compression lock.
Available in Chrome or Black.

Part Number	Description
91.1.108C/K	Chrome plated ZDC
91.1.108B/K	Black Powder Coated ZDC

Enclosures

Hinges

Locks

Handles

Accessories

Rotary Operating
Handles

Insulators

Transformer
Equipment

Index