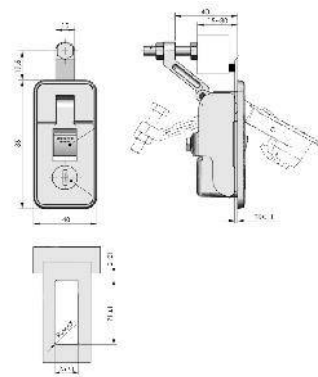


Enclosures



Hinges

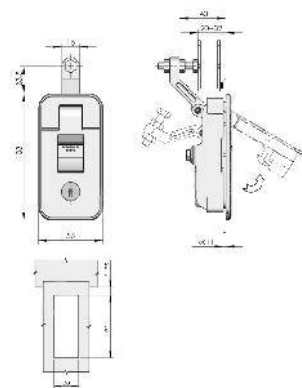
Locks

**Remarks:**

Quick release flush compression lock.  
Available in Chrome or Black.

Part Number	Description
71.1.85C/K	Chrome plated ZDC
71.1.85B/K	Black Powder Coated ZDC

Handles



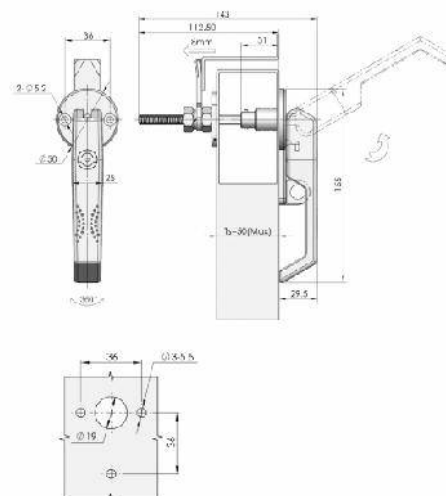
Accessories

**Remarks:**

Quick release flush compression lock.  
Available in Chrome or Black.

Part Number	Description
91.1.108C/K	Chrome plated ZDC
91.1.108B/K	Black Powder Coated ZDC

Rotary Operating Handles



Insulators

Transformer Equipment

Index

Part Number	Description
19.3.112.P	Padlockable quarter-turn compression handle with double bit drive