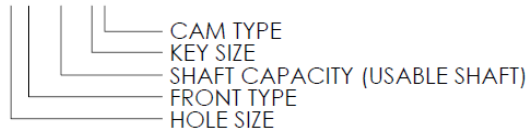


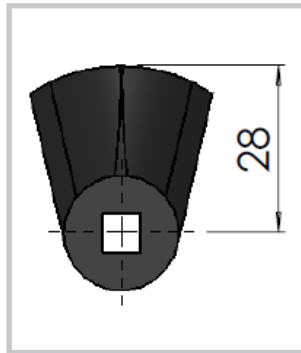
## LOCKS CODING SYSTEM

CODE NUMBER

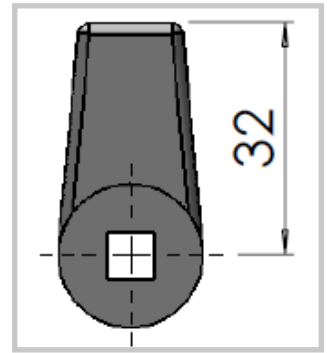
16.1.431.01



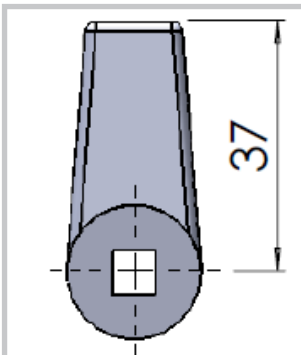
## Cams to fit 16 series locks



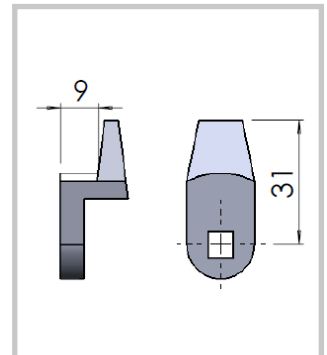
Part Number	Material and Finish	Description
CAM01N	Nylon black	Cam to suit series 16



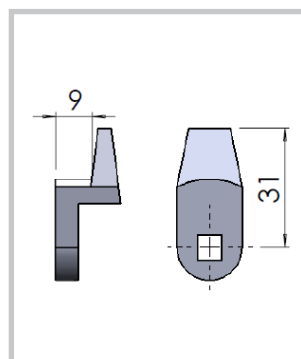
Part Number	Material and Finish	Description
CAM02N	Nylon black	Tapered cam to suit series 16



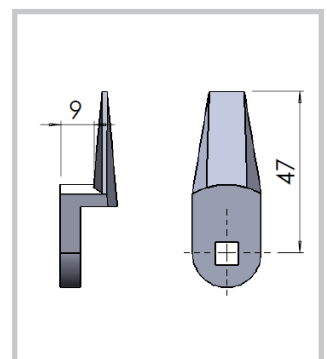
Part Number	Material and Finish	Description
CAM03Z	ZDC Galvanised	Tapered cam to suit series 16



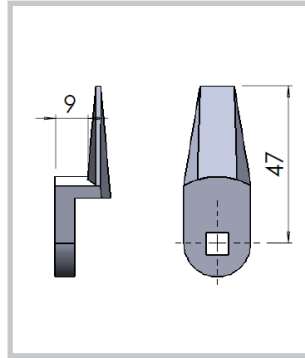
Part Number	Material and Finish	Description
CAM04N	Nylon black	Cam with a 9mm step to suit series 16



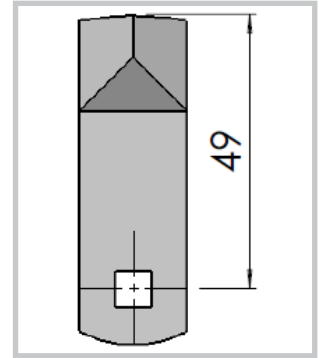
Part Number	Material and Finish	Description
CAM04Z	ZDC matt silver	Cam with a 9mm step cam to suit series 16



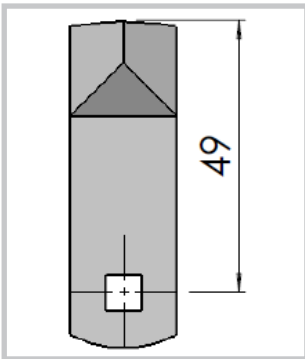
Part Number	Material and Finish	Description
CAM05N	Nylon black	Cam with a 9mm step to suit series 16



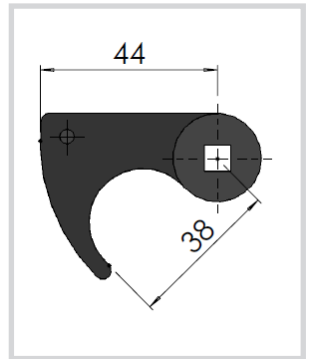
Part Number	Material and Finish	Description
CAM05Z	ZDC Galvanized	Cam with a 9mm step to suit series 16



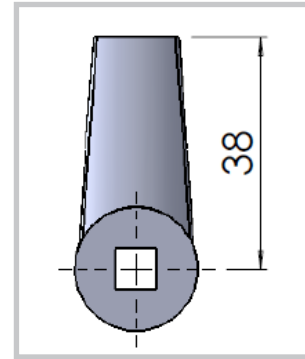
Part Number	Material and Finish	Description
CAM06M/S	Mild steel natural finish	Cam to suit handle 1011108



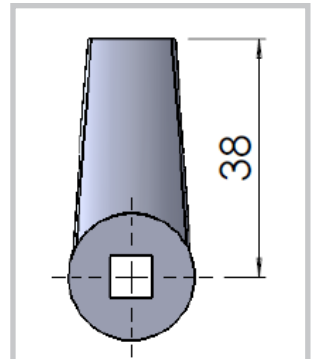
Part Number	Material and Finish	Description
CAM06S/S	Stainless steel natural finish	Cam to suit handle 1011108



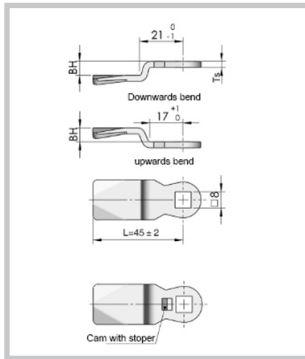
Part Number	Material and Finish	Description
CAM07N	Nylon black	Hooked cam to suit 16 series



Part Number	Material and Finish	Description
CAM09N	Nylon black	Cam to suit 16 series



Part Number	Material and Finish	Description
CAM09Z	ZDC Galvanized	cam to suit 16 series



Part Number	Material and Finish	Description
CAM08/4	Mild steel	4mm bend
CAM08/12	Mild steel	12mm bend

**Remarks:**

All other BH dimensions available on request.