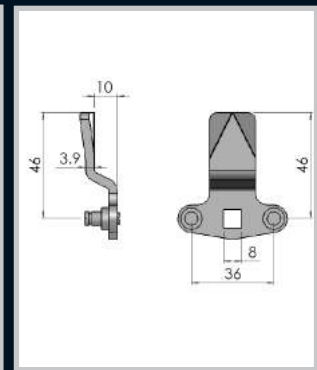
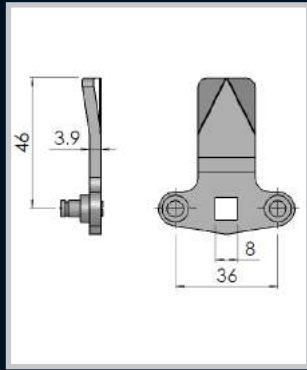
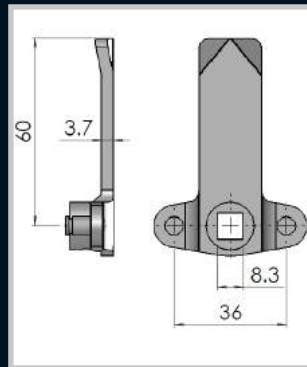


3 Point locking cams
 (For use with locking rods on page 170 - 171)



Part Number	Material and Finish	Description
CAM08M/S8PSTR	Mild steel natural finish	3 point cam
CAM08S/S8PSTR	Stainless steel natural finish	3 point cam

Part Number	Material and Finish	Description
CAM08M/S8STEP	Mild steel natural finish	3 point cam
CAM08S/S8STEP	Stainless steel natural finish	3 point cam
CAM08/4.3	Mild steel with a 4mm bend	3 point cam
CAM08/12.3	Mild steel with a 12mm bend	3 point cam



Part number	Material and Finish	Description
CAM08M/SPINS	Mild steel natural finish	3 point cam

Enclosures
Hinges
Locks
Handles
Accessories
Rotary Operating Handles
Insulators
Transformer Equipment
Index