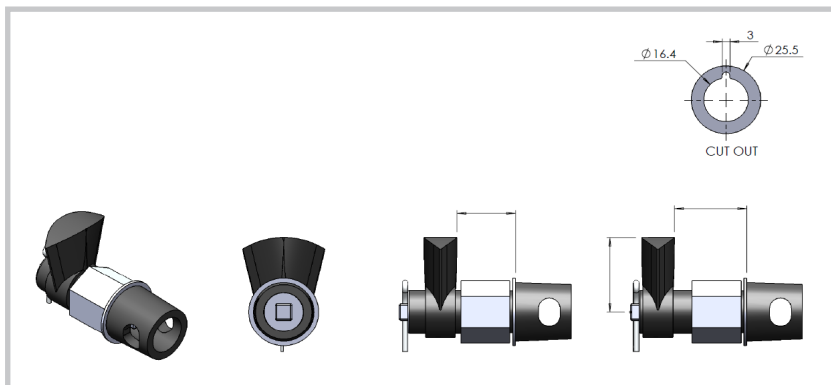
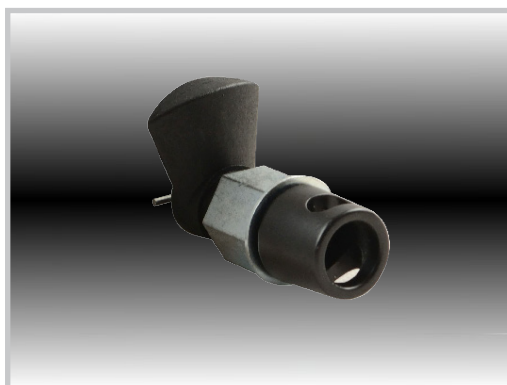


**Remarks:**

Please refer to page 125 and 126 for the selection of the interchangeable cams.

Part Number	Description	H (mm)	H1 (mm)	L (mm)
16.1.401.01	ZDC body, Black polyamide head	21	29	30
16.1.531.01	ZDC body, Black polyamide head	21	41	30
16.1.401.04n/z	ZDC body, Black polyamide head	10	42	34
16.1.531.04n/z	ZDC body, Black polyamide head	10	53	34
16.1.401.05n/z	ZDC body, Black polyamide head	10	42	48
16.1.531.05n/z	ZDC body, Black polyamide head	10	53	48
16.1.401.06	ZDC body, Black polyamide head	17	35	49
16.1.531.06	ZDC body, Black polyamide head	17	47	49
16.1.401.08	ZDC body, Black polyamide head	17	35	49
16.1.531.08	ZDC body, Black polyamide head	17	47	49
16.1.401.09n/z	ZDC body, Black polyamide head	22	32	37
16.1.531.09n/z	ZDC body, Black polyamide head	22	44	37



**Remarks:**

Please refer to page 125 and 126 for the selection of the interchangeable cams.

Part Number	Description	H (mm)	H1 (mm)	L (mm)
16.3.401.01	ZDC body, Black powder coated head	21	29	30
16.3.531.01	ZDC body, Black powder coated head	21	41	30
16.3.401.04n/z	ZDC body, Black powder coated head	10	42	34
16.3.531.04n/z	ZDC body, Black powder coated head	10	53	34
16.3.401.05n/z	ZDC body, Black powder coated head	10	42	48
16.3.531.05n/z	ZDC body, Black powder coated head	10	53	48
16.3.401.06	ZDC body, Black powder coated head	17	35	49
16.3.531.06	ZDC body, Black powder coated head	17	47	49
16.3.401.08	ZDC body, Black powder coated head	17	35	49
16.3.531.08	ZDC body, Black powder coated head	17	47	49
16.3.401.09n/z	ZDC body, Black powder coated head	22	32	37
16.3.531.09n/z	ZDC body, Black powder coated head	22	44	37