

Enclosures

Hinges

Locks

Handles

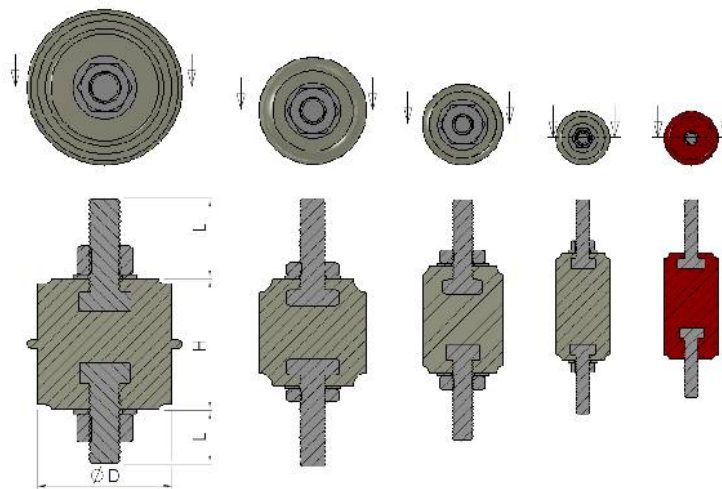
Accessories

Rotary Operating  
Handles

Insulators

Transformer  
Equipment

Index



PART NUMBER	TYPE & THREAD SIZE	H	D	L	STUD /INSERT	UNIT MASS	STD PACK
050-056	SL-6R	40	20	20	M6	26g	50
050-008	SL-6W	40	20	20	M6	26g	50
050-058	SL-6/BK	40	20	20	M6	26g	50
050-057	SL-6/BL	40	20	20	M6	26g	50
050-010	SL-8/W	40	30	25	M8	40g	100
050-064	SL-8/BK	40	30	25	M8	40g	100
050-063	SL-8/BL	40	30	25	M8	40g	100
050-062	SL-8/R	40	30	25	M8	40g	100
050-012	SL-10/W	40	40	30	M10	80g	100
050-070	SL-10/BK	40	40	30	M10	80g	100
050-069	SL-10/BL	40	40	30	M10	80g	100
050-068	SL-10/R	40	40	30	M10	80g	100
050-219	SL-10/S1	40	40	30	M10	80g	100
050-210	SL-12/W	50	50/60	16	M12	190g	50
050-278	SL-12/BK	50	50/60	16	M12	190g	50
050-277	SL-12/BL	50	50/60	16	M12	190g	50
050-276	SL-12/R	50	50/60	16	M12	190g	50