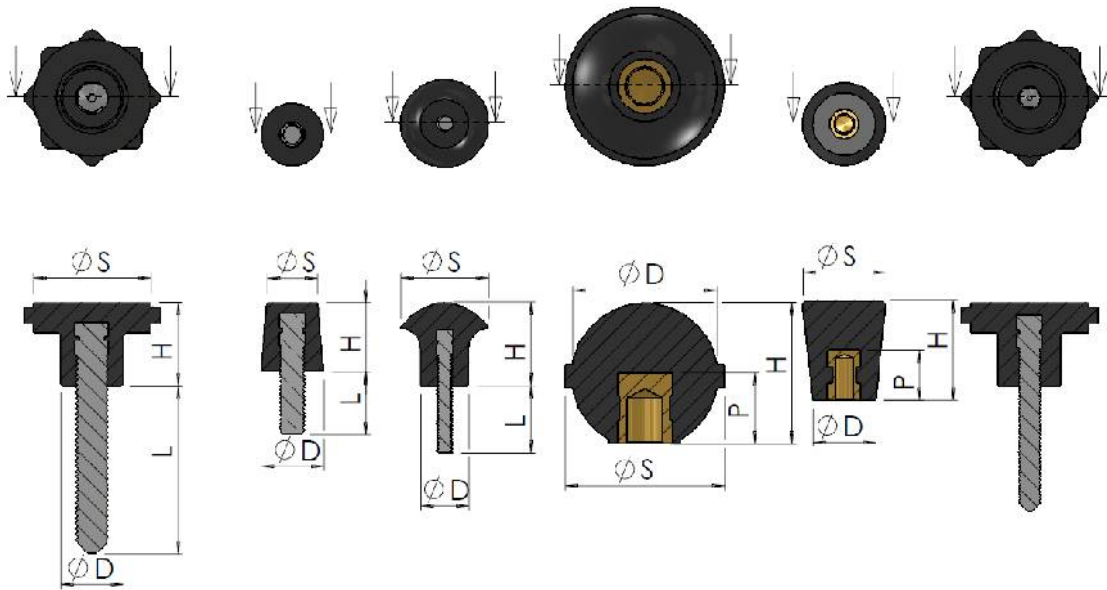


Enclosures
Hinges
Locks
Handles
Accessories
Rotary Operating Handles
Insulators
Transformer Equipment
Index



PART NUMBER	TYPE & THREAD SIZE	STUD SIZE	HEIGHT H (mm)	DIAMETER D (mm)	SHED DIAMETER S (mm)	STUD LENGTH L (mm)	INSERT DEPTH P (mm)	UNIT MASS
020-329	K4	M4	18	12/20	22	15	10	22g
050-239	K6 x 30	M6	20	15	28	30	-	20g
050-232	K8 x 40	M8	20	15	28	40	-	32g
050-301	K8 x 50	M8	20	15	28	50	-	32g
050-232	KL-8	M8	20	15	28	40	-	32g
050-239	KL-6	M6	16.5	15	12	15	-	22g
020-767	KL-5	M5	16.5	15	12	15	-	22g
050-311	K6	M6	24	15	20	-	12	22g
050-249	K10	M10	34	34	38	-	17	35g
070-141	HAND WHEEL	M10	55	23	100	-	17	130g