

Enclosures

Hinges

Locks

Handles

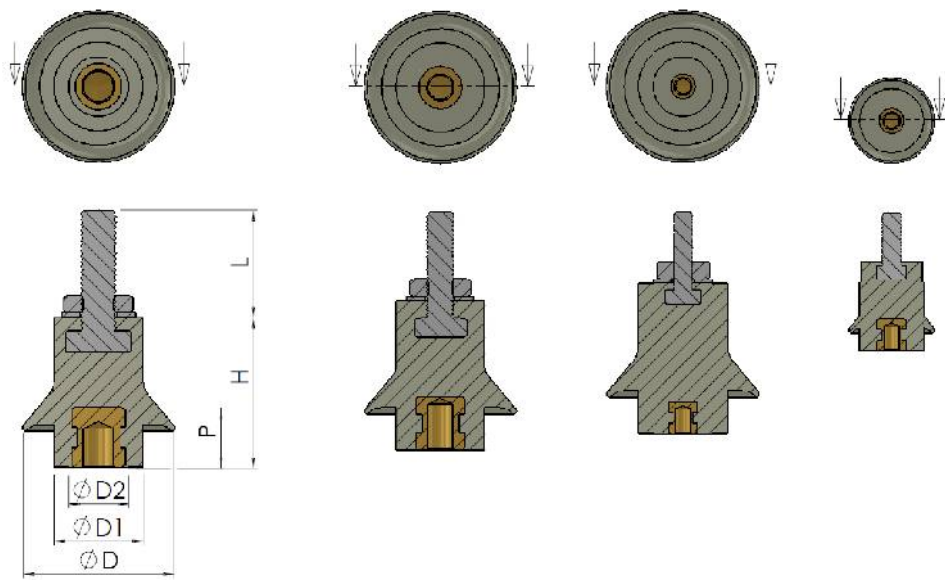
Accessories

Rotary Operating
Handles

Insulators

Transformer
Equipment

Index



PART NUMBER	TYPE & THREAD SIZE	H	D	P	L	D1	D2	UNIT MASS	STD PACK
070-185	GPL-5W	25	26	8	16	17	15	19g	100
050-300	GPL-6W	25	45	8	16	25	15	64g	100
050-298	GPL-6R	25	45	8	16	25	15	64g	100
050-299	GPL-6BL	25	45	8	16	25	15	64g	100
050-327	GPL-6BK	25	45	8	16	25	15	64g	100
050-216	GPL-8W	25	45	8	16	25	15	76g	100
050-214	GPL-10W	25	45	8	16	25	15	100g	100