

Enclosures

Hinges

Locks

Handles

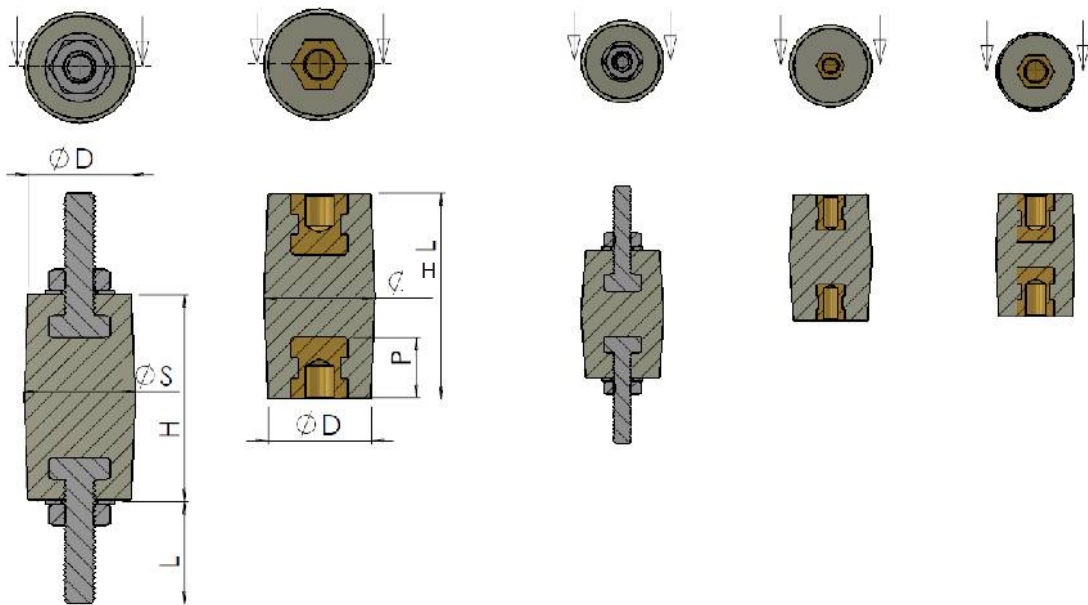
Accessories

Rotary Operating
Handles

Insulators

Transformer
Equipment

Index



PART NUMBER	TYPE & THREAD SIZE	HEIGHT H	DIAMETER D	SHED DIAMETER S	STUD LENGTH L	INSERT DEPTH P	UNIT MASS	STD PACK
050-018	BL-8	50	25	28	25	-	86g	50
050-017	BP-8	50	25	28	-	13	66g	50
050-015	BP-5	30	17	20	-	8	18g	200
050-015/BK	BP-5BK	30	17	20	-	8	18g	200
050-206	BP-6	30	17	20	-	11	18g	50
050-206/BK	BP-6BK	30	17	20	-	11	18g	50
050-016	BL-5	30	17	20	15	-	18g	50