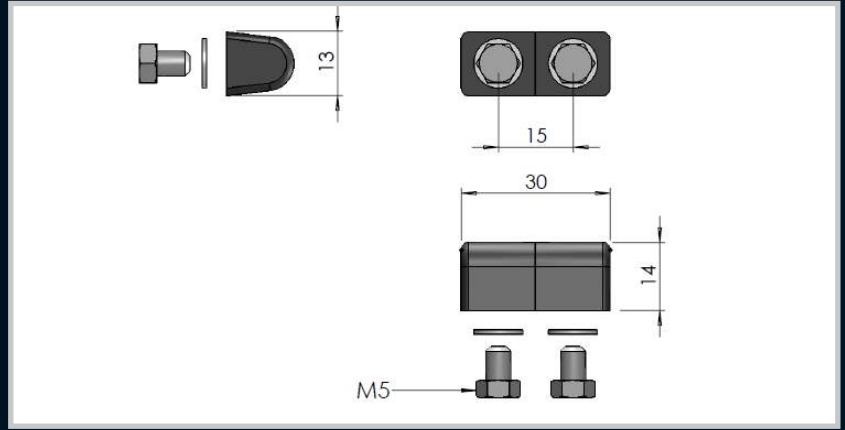


Enclosures

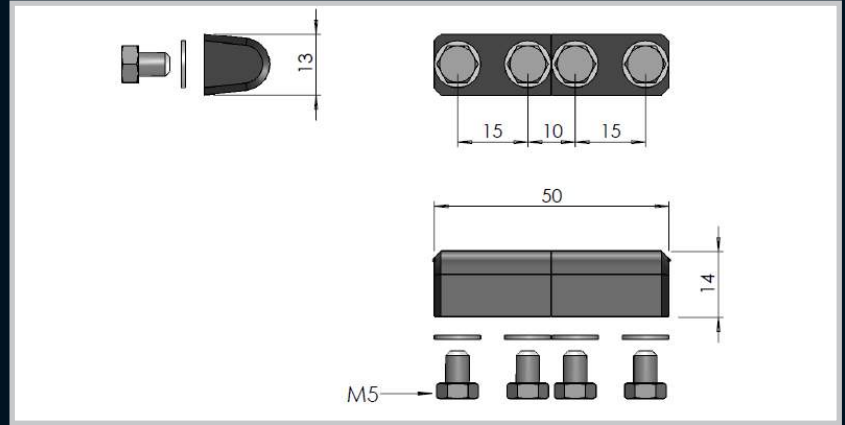
Hinges



| Part Number | Description |
|-------------|--------------------------------------------------|
| 1010071 | ZDC Black powder coated MS stud and fastener 5mm |

Locks

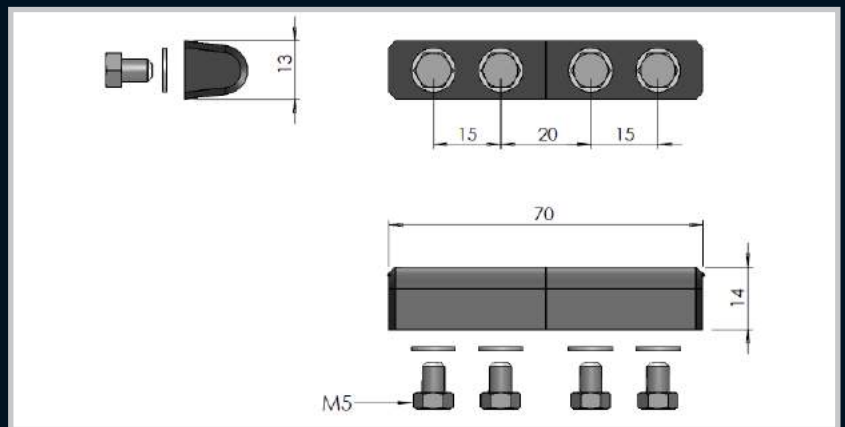
Handles



| Part Number | Description |
|-------------|--------------------------------------------------|
| 1010073 | ZDC Black powder coated MS stud and fastener 5mm |

Accessories

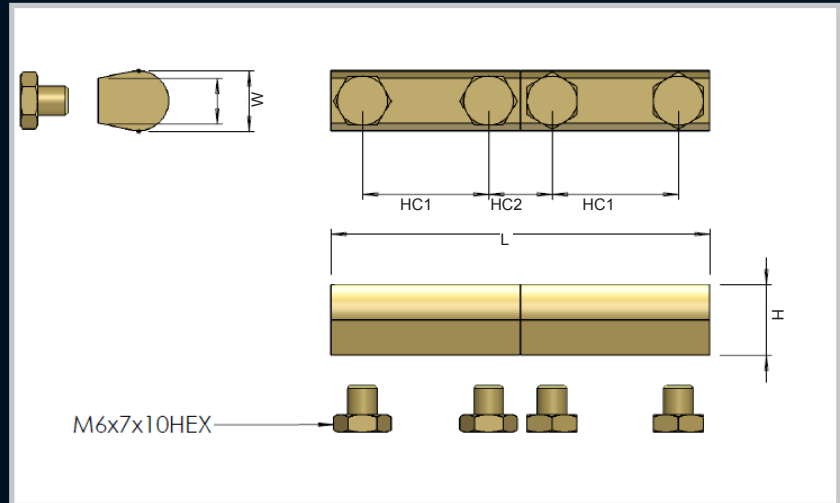
Rotary Operating Handles



| Part Number | Description |
|-------------|--------------------------------------------------|
| 1010075 | ZDC Black powder coated MS stud and fastener 5mm |

Transformer Equipment

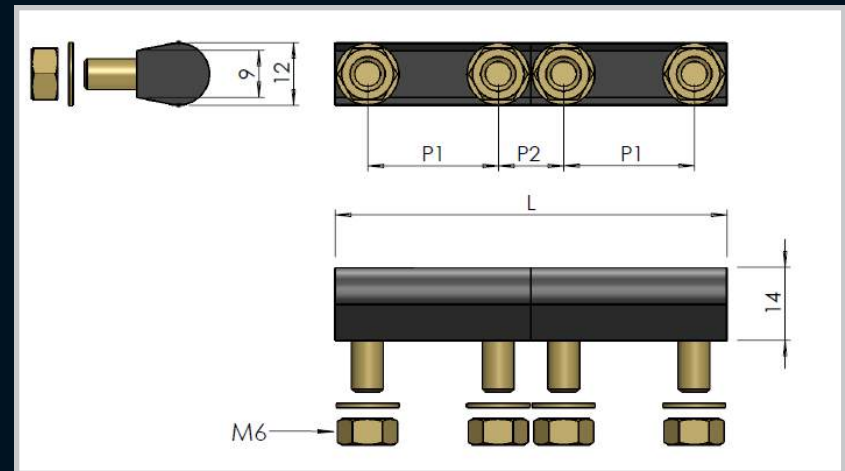
Index



| Part Number | Description | L (mm) | W (mm) | W2 (mm) | H (mm) | HC1 (mm) | HC2 (mm) |
|-------------|-------------------------------------|--------|--------|---------|--------|----------|----------|
| HB32 | Brass natural with brass Hex screws | 32 | 12 | 9 | 14 | 16 | / |
| HB60/SCREW | Brass natural with brass Hex screws | 60 | 12 | 9 | 14 | 20 | 10 |
| HB75 | Brass natural with brass Hex screws | 75 | 12 | 9 | 14 | 25 | 12.5 |
| HB100 | Brass natural with brass Hex screws | 100 | 12 | 9 | 14 | 25 | 25 |



Remarks:
Comes with 6 mm studs



| Part Number | Description | L (mm) | W2 (mm) | W1 (mm) | H (mm) | P1 (mm) | P2 (mm) |
|-------------|-------------------------------------------|--------|---------|---------|--------|---------|---------|
| HB32P/C | Brass Black powder coated with 6mm studs | 32 | 12 | 9 | 14 | 20 | 10 |
| HB60P/C | Brass Black powder coated with 6mm screws | 60 | 12 | 9 | 14 | 20 | 10 |
| HB75P/C | Brass Black powder coated with 6mm studs | 75 | 12 | 9 | 14 | 25 | 12.5 |
| HB100P/C | Brass Black powder coated with 6mm studs | 100 | 12 | 9 | 14 | 25 | 25 |

Enclosures

Hinges

Locks

Handles

Accessories

Rotary Operating Handles

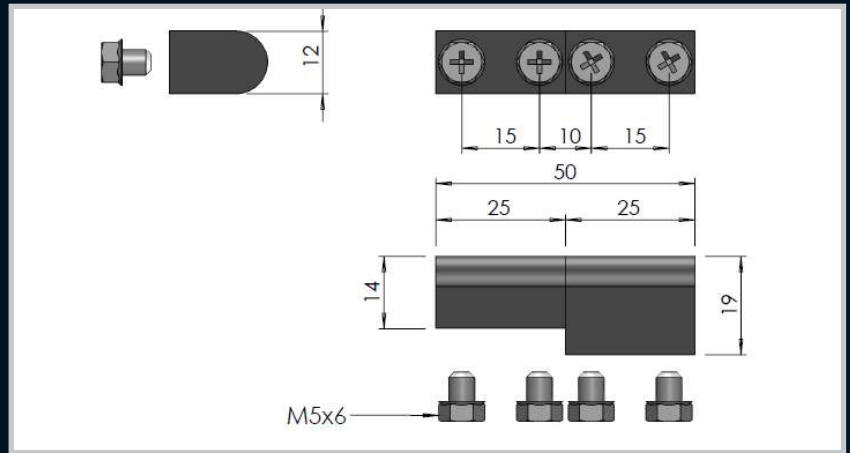
Insulators

Transformer Equipment

Index

Enclosures

Hinges



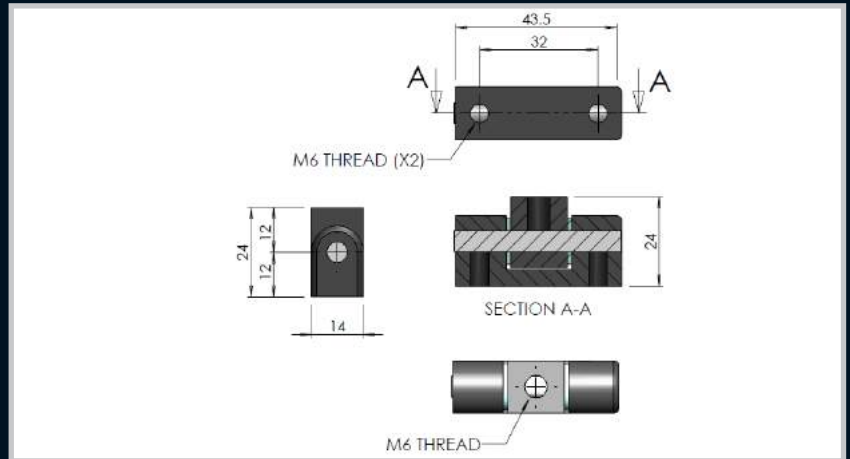
| Part Number | Description |
|--------------|--------------------------------------------------------------------------|
| 083-007/12MM | 50mm Stepped hinge ,ZDC Black powder coated Brass pin MS 5x6mm fasteners |
| 083-007/15MM | 50mm Stepped hinge ,ZDC Black powder coated Brass pin MS 5x6mm fasteners |

Locks

Handles

Accessories

Rotary Operating Handles

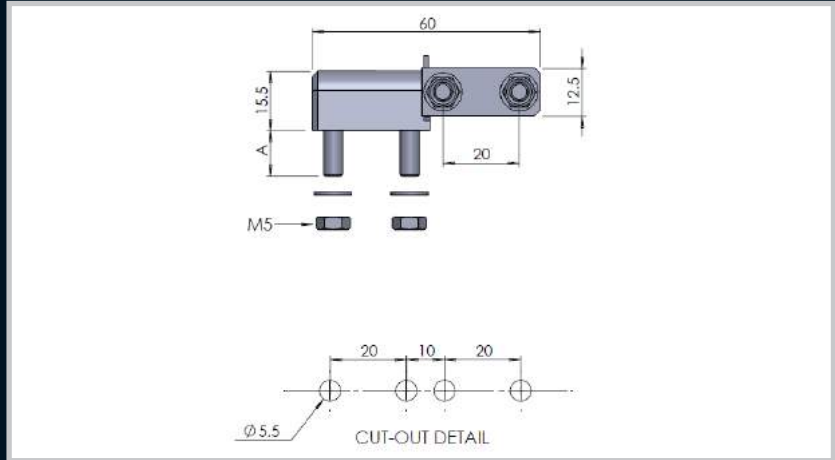


| Part Number | Description |
|-------------|--------------------------------------------------------|
| 083-005 | ZDC Black powder coated 6mm countersunk threaded holes |

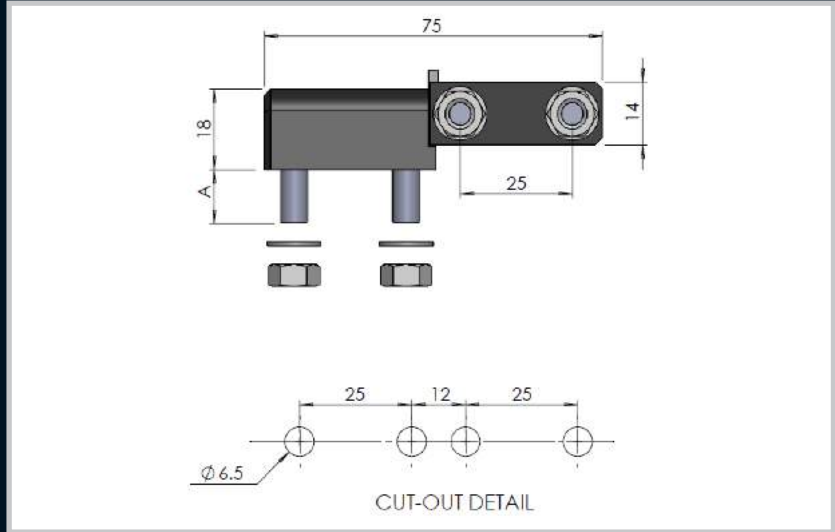
Insulators

Transformer Equipment

Index



| Part Number 60mm | Description | Stud (mm) |
|---------------------|----------------------------------------------------|--------------|
| 1010126 | ZDC, Black powder coated MS 5mm stud and fasteners | 12 |
| 1010126S/S | Complete stainless steel 5mm stud and fasteners | 12 |
| SHORT STUD | | |
| 1010126 - S | ZDC, Black powder coated MS 5mm stud and fasteners | 9 |
| 1010126S/S - S | Complete stainless steel 5mm stud and fasteners | 9 |



| Part Number 75mm | Description | Stud (mm) |
|---------------------|-----------------------------------------------------|--------------|
| 1010125 | ZDC, Black powder coated MS 6mm stud and fasteners | 15 |
| 1010125S/S | Complete stainless steel 6mm stud and fasteners | 15 |
| 1010125/N | Nylon Black, Stainless steel 6mm stud and fasteners | 15 |
| SHORT STUD | | |
| 1010125 - S | ZDC, Black powder coated MS 6mm stud and fasteners | 9 |
| 1010125S/S - S | Complete stainless steel MS 6mm stud and fasteners | 9 |
| 1010125N - S | Nylon Black, Stainless steel 6mm stud and fasteners | 9 |

Enclosures

Hinges

Locks

Handles

Accessories

Rotary Operating
Handles

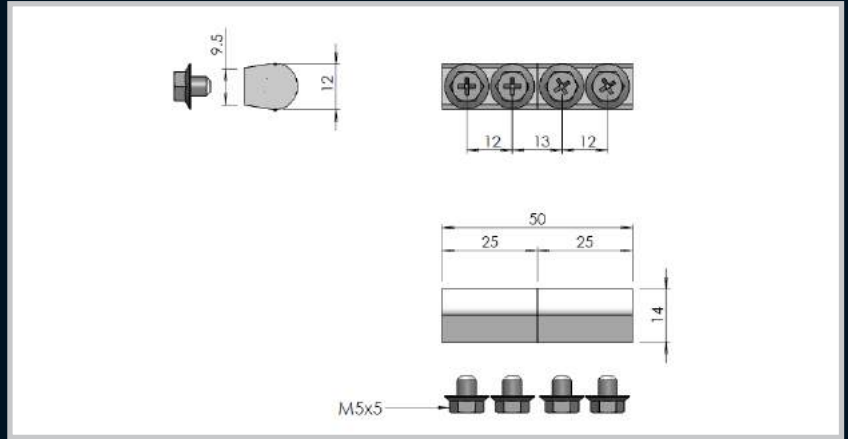
Insulators

Transformer
Equipment

Index

Enclosures

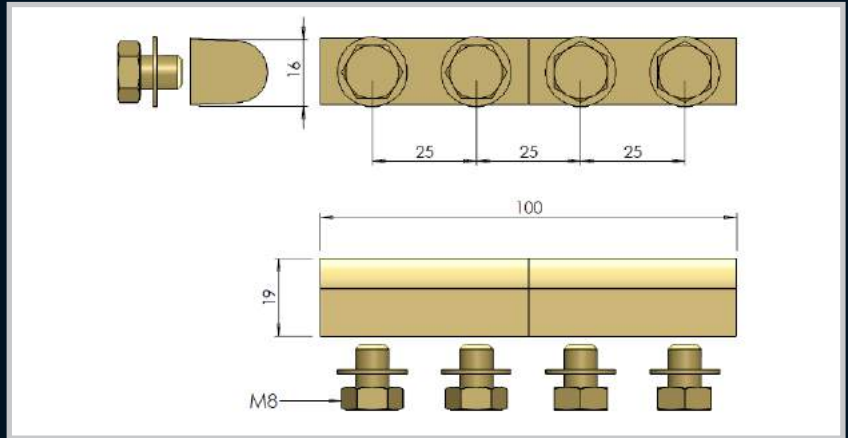
Hinges



| Part Number | Description |
|-------------|----------------------------------------------------|
| 083-006 | MS hinge, Brass pin Galvanized, MS 5x5mm fasteners |

Locks

Handles

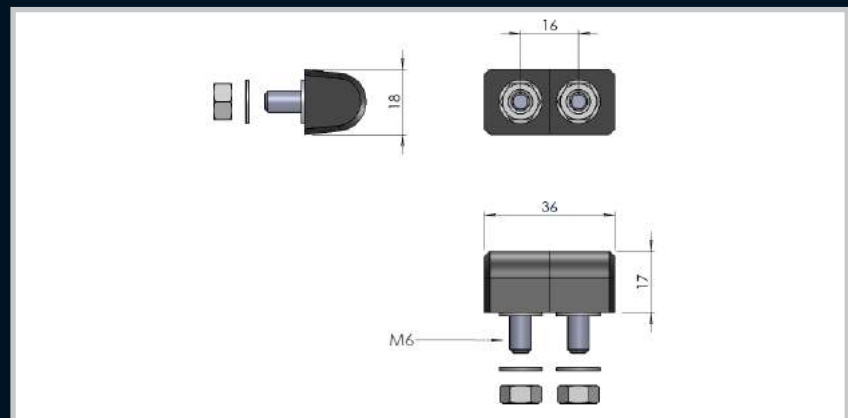


| Part Number | Description |
|---------------|-----------------------------------------|
| 1010176 | Brass, Natural, M8 fasteners |
| 1010176/MS100 | Brass bolt on part and MS weldable part |
| 1010176S/S | Complete stainless steel M8 Fasteners |

Accessories

Rotary Operating Handles

Insulators



| Part Number | Description |
|-------------|--------------------------------------------------|
| 1010180 | ZDC Black powder coated MS stud and fastener 6mm |
| 1010180/N | Nylon Black, stainless stud and fastener 6mm |

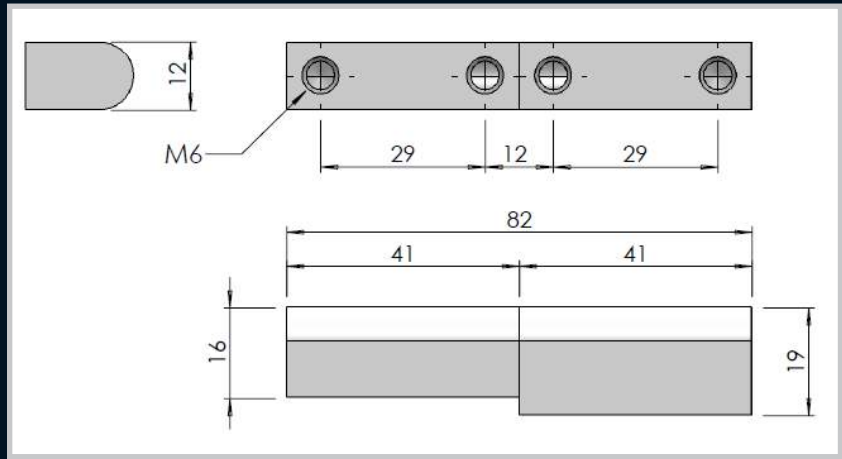
Transformer Equipment

Index



Hinge screw types available:

| Part Number | A (mm) | B (mm) |
|-------------|--------|--------|
| SW6X7 | 7 | 10 |
| SW6X8 | 8 | 13.5 |
| SW6X10 | 10 | 13.5 |

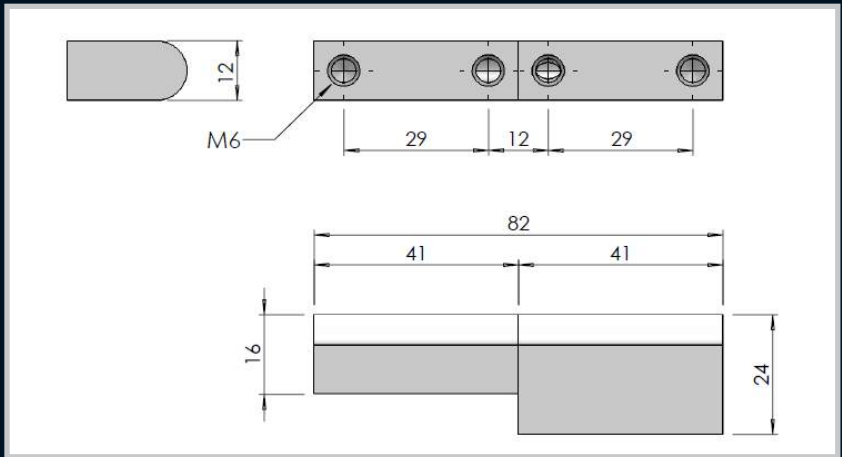


| Part Number | Description |
|-------------|-----------------------------------------|
| HB82B19H | Brass chrome plated 6mm threaded holes |
| HB82S/S19H | Stainless steel with 6mm threaded holes |

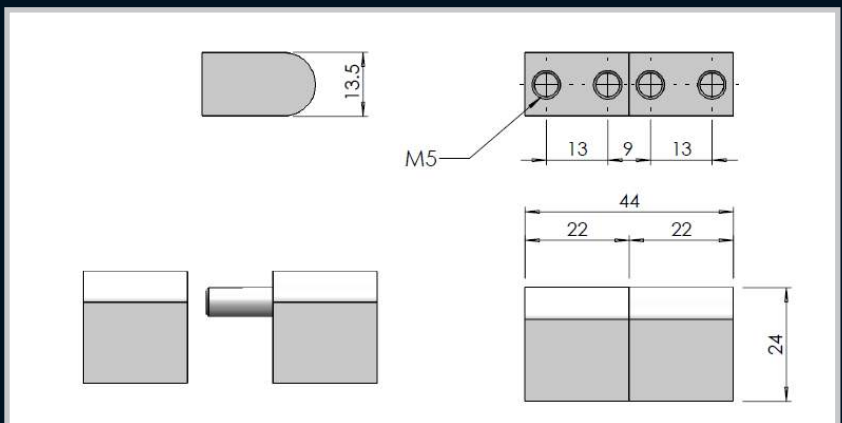


Hinge screw types available:

| Part Number | A (mm) | B (mm) |
|-------------|--------|--------|
| SW6X7 | 7 | 10 |
| SW6X8 | 8 | 13.5 |
| SW6X10 | 10 | 13.5 |



| Part Number | Description |
|-------------|----------------------------------------|
| HB82B24H | Brass chrome plated 6mm threaded holes |



| Part Number | Description |
|-------------|-------------------------------------------------|
| HB44B24H | Complete Brass chrome plated 5mm threaded holes |

Enclosures

Hinges

Locks

Handles

Accessories

Rotary Operating Handles

Insulators

Transformer Equipment

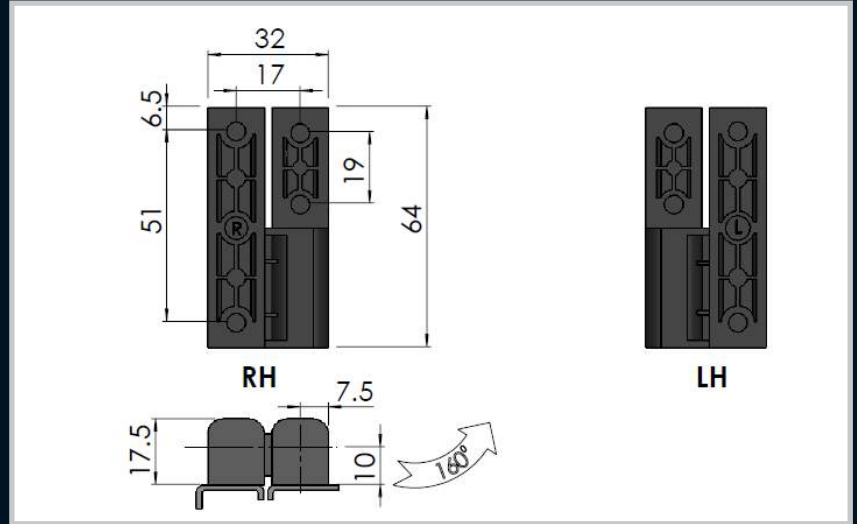
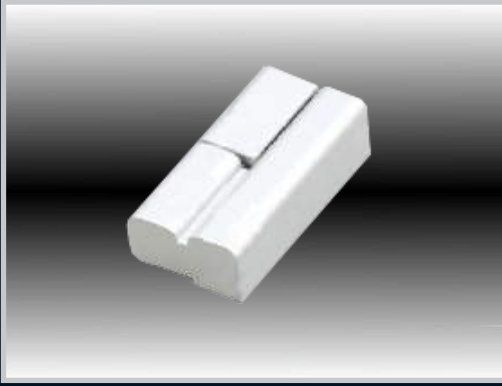
Index

Pedestal Hinges



Enclosures

Hinges

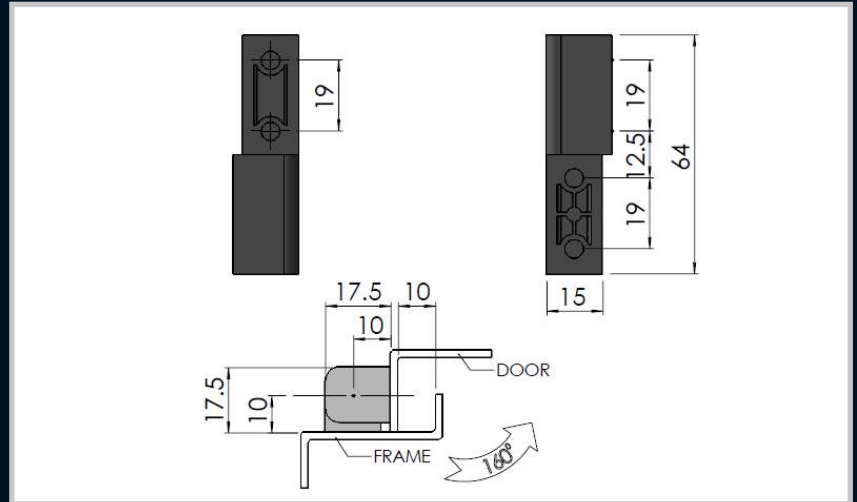


| Part Number | Description |
|-------------|--------------------------------------|
| 641510B | Black powder coated ZDC Offset hinge |
| 641510C | Chrome ZDC Offset hinge |

Locks

Handles

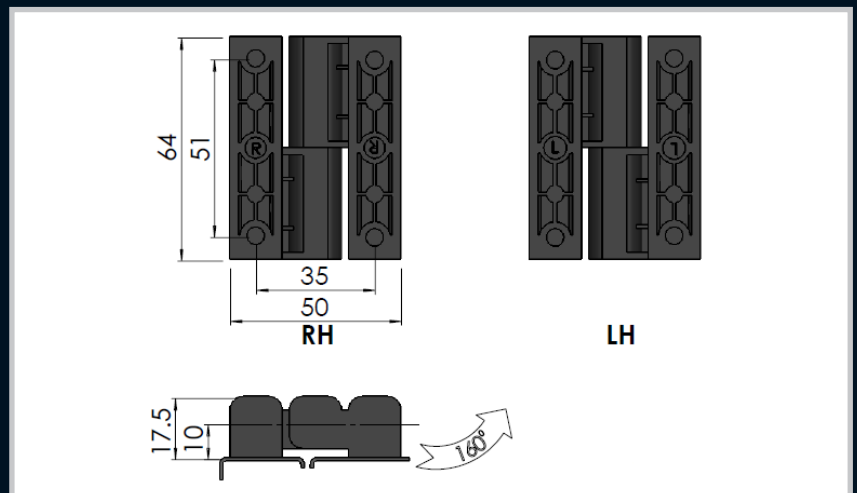
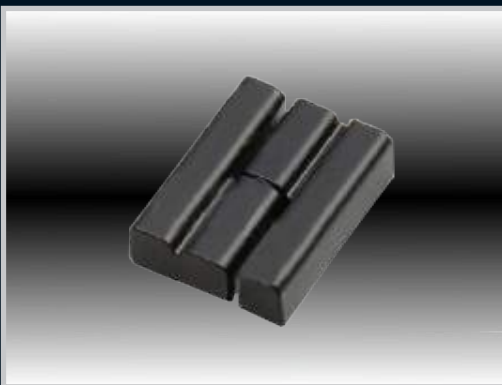
Accessories



| Part Number | Description |
|-------------|---------------------------------------|
| 643210B | Black powder coated ZDC Coaxial hinge |
| 643210C | Chrome ZDC Coaxial hinge |

Rotary Operating Handles

Insulators



| Part Number | Description |
|-------------|-----------------------------------------|
| 645010B | Black powder coated ZDC Symmetric hinge |
| 645010C | Chrome ZDC Symmetric hinge |

Transformer Equipment

Index