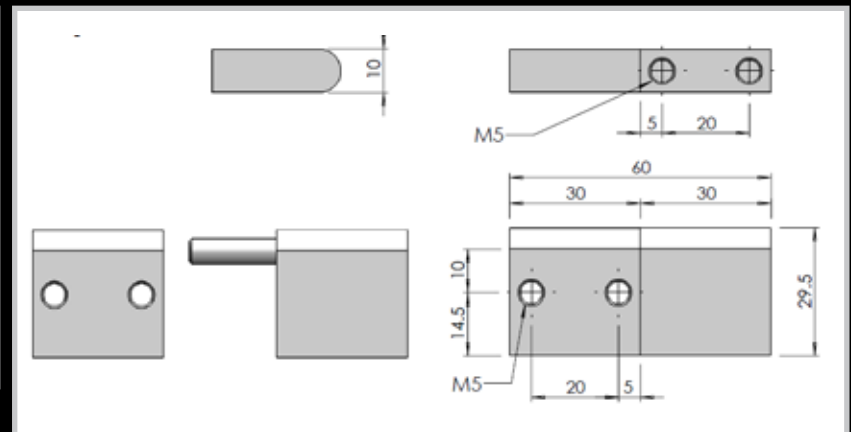
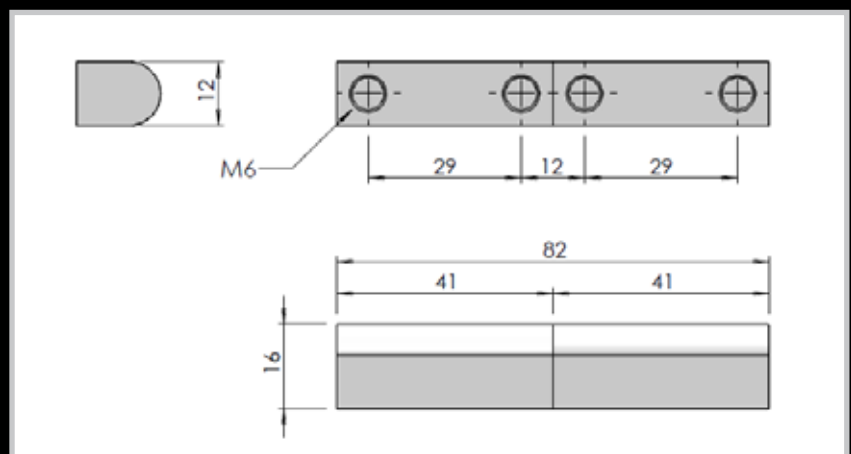


Part Number	Description
HB50B16H	Brass chrome plated 6mm threaded holes
HB50S/S16H	316 Stainless steel plated 6mm threaded holes



Part Number	Description
HB60B29.5H	Brass chrome plated 5mm threaded holes



Part Number	Description
HB82Z16H	ZDC chrome plated 6mm threaded holes
HB82B16H	Brass chrome plated 6mm threaded holes
HB82SS16H	316 stainless steel natural finish 6mm threaded holes

Hinge screw types available:

Part Number	A (mm)	B (mm)
SW6X7	7	10
SW6X8	8	13.5
SW6X10	10	13.5

Enclosures

Hinges

Locks

Handles

Accessories

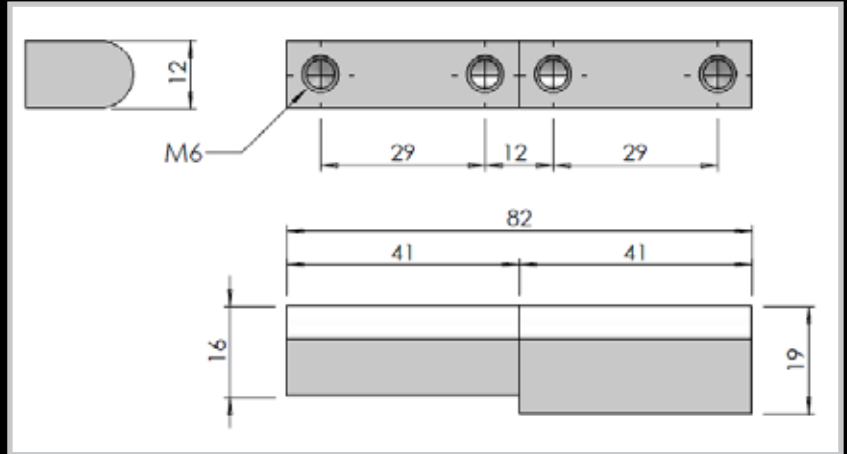
Rotary Operating
Handles

Insulators

Transformer
Equipment

Index

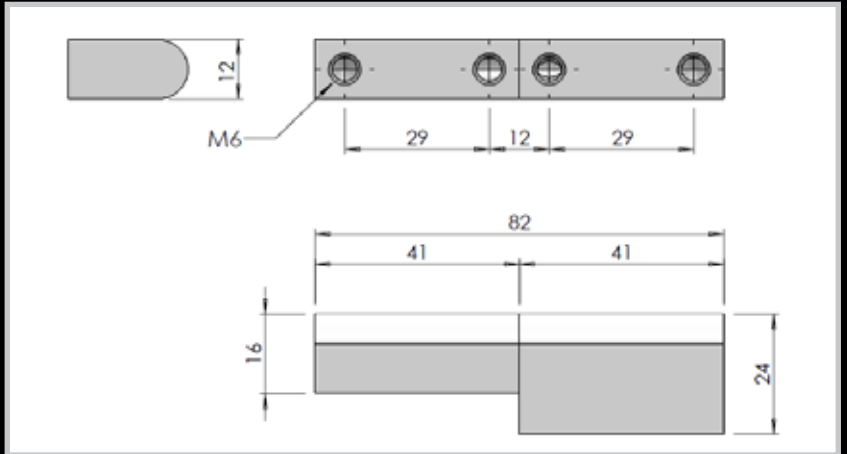
Enclosures
Hinges
Locks
Handles
Accessories
Rotary Operating Handles
Insulators
Transformer Equipment
Index



Hinge screw types available:

Part Number	A (mm)	B (mm)
SW6X7	7	10
SW6X8	8	13.5
SW6X10	10	13.5

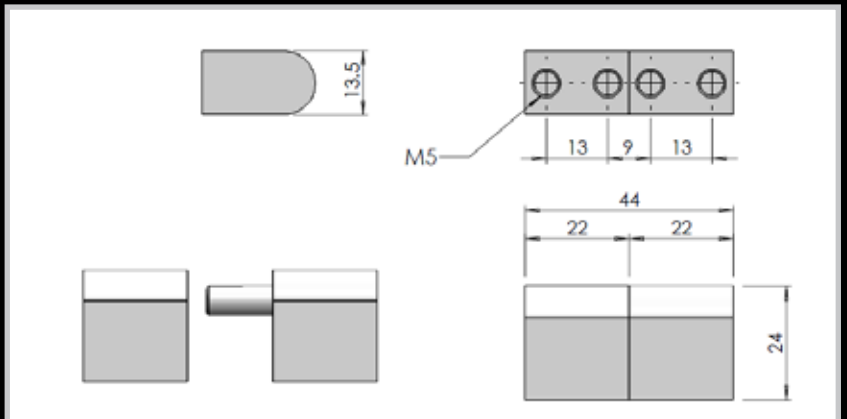
Part Number	Description
HB82B19H	Brass chrome plated 6mm threaded holes
HB82S/S19H	Stainless steel with 6mm threaded holes



Hinge screw types available:

Part Number	A (mm)	B (mm)
SW6X7	7	10
SW6X8	8	13.5
SW6X10	10	13.5

Part Number	Description
HB82B24H	Brass chrome plated 6mm threaded holes



Part Number	Description
HB44B24H	Complete Brass chrome plated 5mm threaded holes