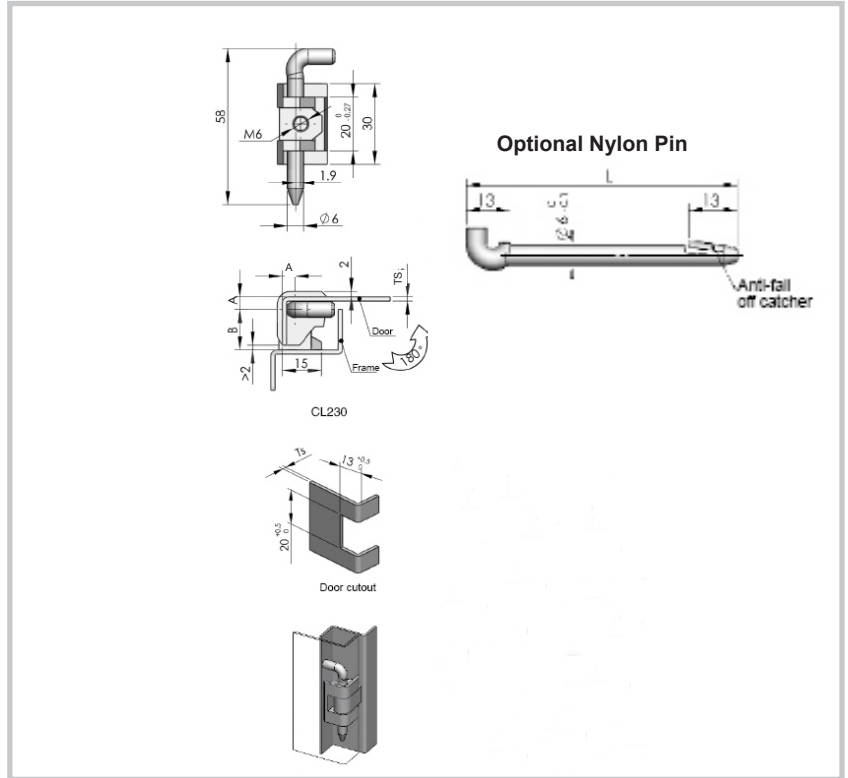




Optional Nylon Pin

Part Number	L (mm)
NP57	57
NP78	78

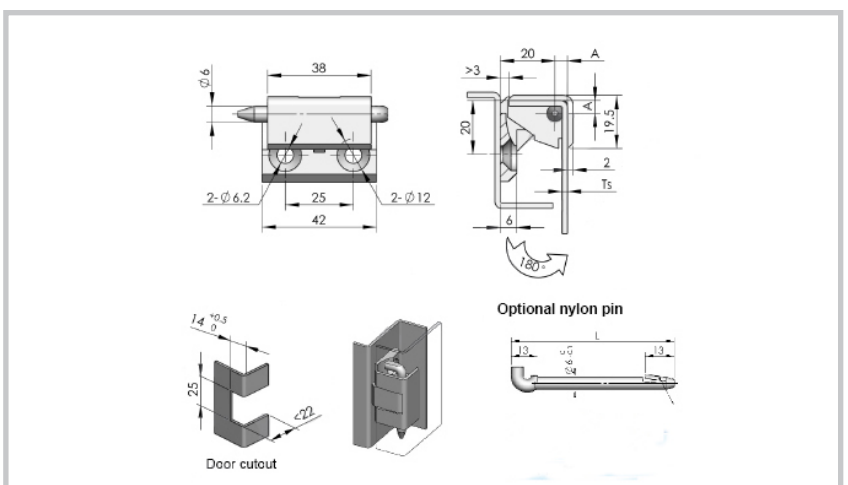


Part Number	Description	TS	A	B
302058B-15	Semi concealed hinge ZDC black powder coated with steel pin	1.5	4.6	15
302058B-15.2	Semi concealed hinge ZDC black powder coated with steel pin	2	5.1	15
302058B-17	Semi concealed hinge ZDC black powder coated with steel pin	1.5	4.6	17
302058B-17.2	Semi concealed hinge ZDC black powder coated with steel pin	2	5.1	17
302058B-19	Semi concealed hinge ZDC black powder coated with steel pin	1.5	4.6	19
302058B-19.2	Semi concealed hinge ZDC black powder coated with steel pin	2	5.1	19

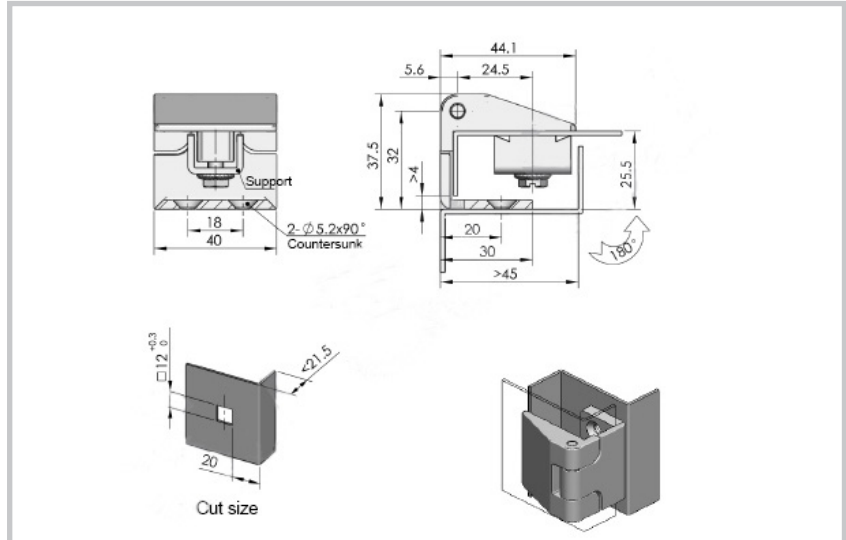


Optional Nylon Pin

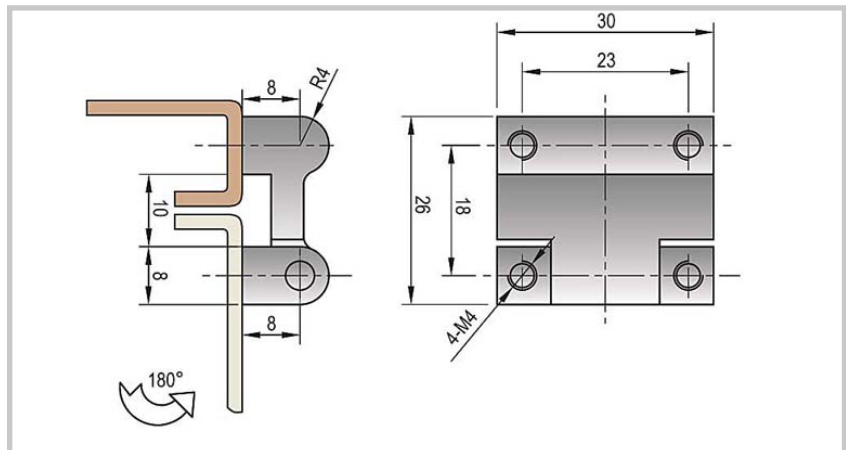
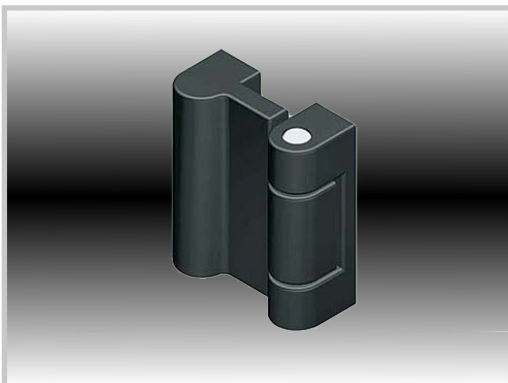
Part Number	L (mm)
NP57	57
NP78	78



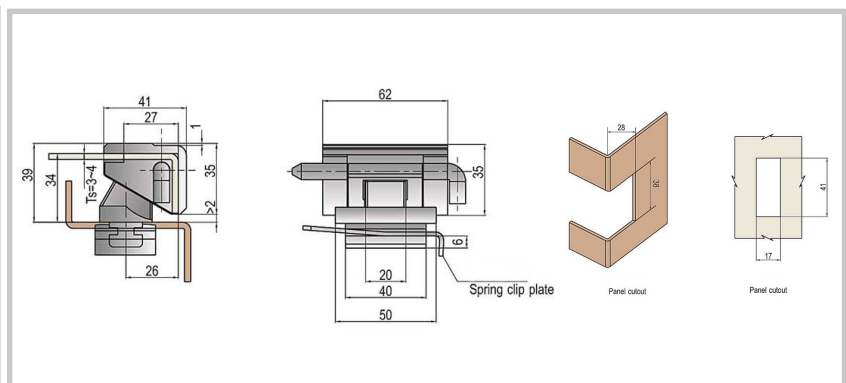
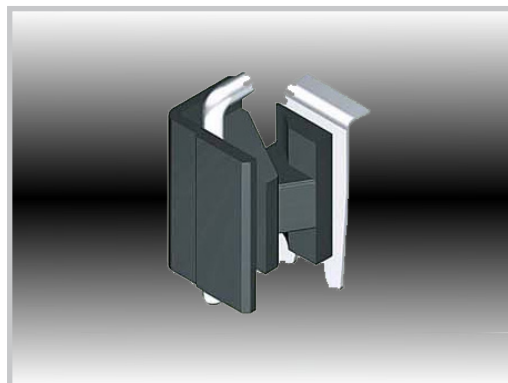
Part Number	Description	A
423825B.2	Black powder coated, Ts=2	5.1
423825B.3	Black powder coated, Ts=3	6.1
423825B.1	Black powder coated, Ts=1	4.6



Part Number	Description
40110	Black powder coated



Part Number	Description
3010	Black powder coated



Part Number	Description
410110/B	Black powder coated with a spring clip plate