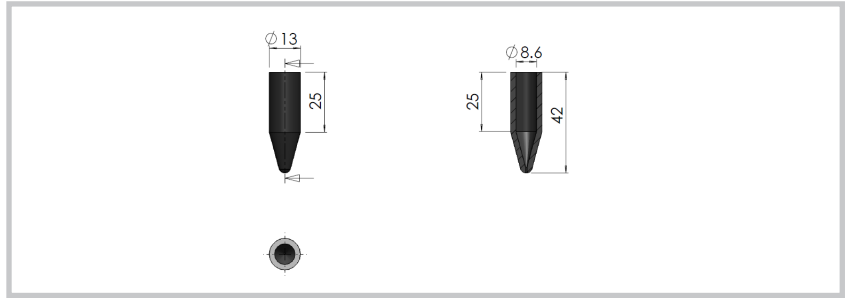
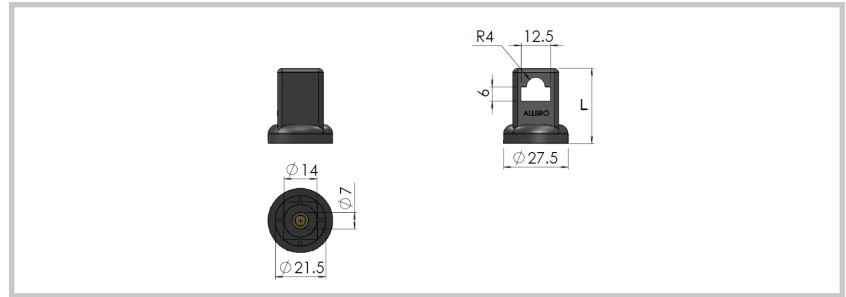


**Rods Accessories**

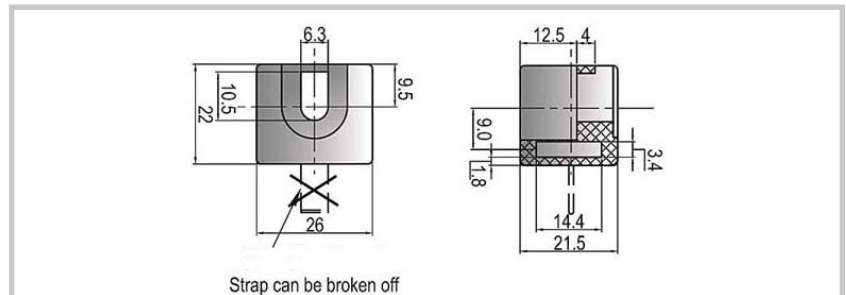
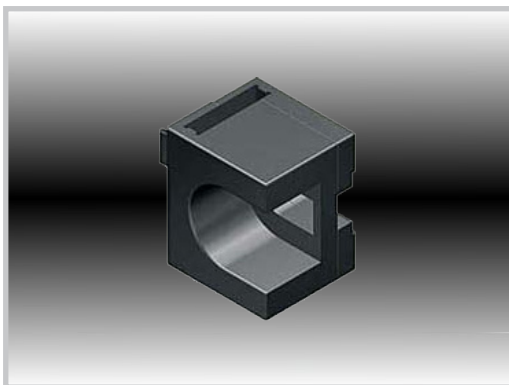


Part Number	Description
1000111	Rod End Tip

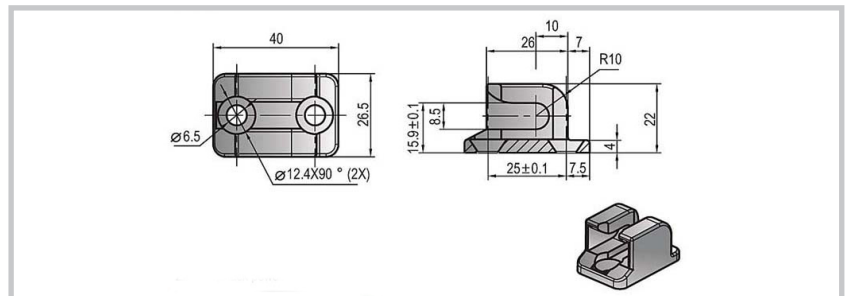
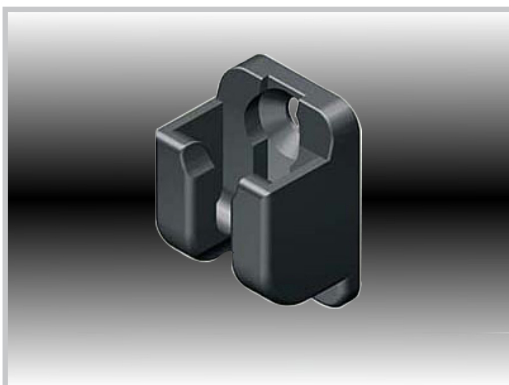


Part Number	Description	L (mm)
1000114	Rod Guide	32
1000114/38	Rod Guide	38

**Remarks:**  
 1000114 is a flush mounted guide.  
 1000114/38 is recessed mounted.



Part Number	Description
1000122	Nylon rod guide for flat bar



Part Number	Description
1000126	ZDC flat bar locking guide