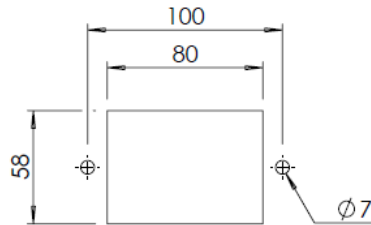
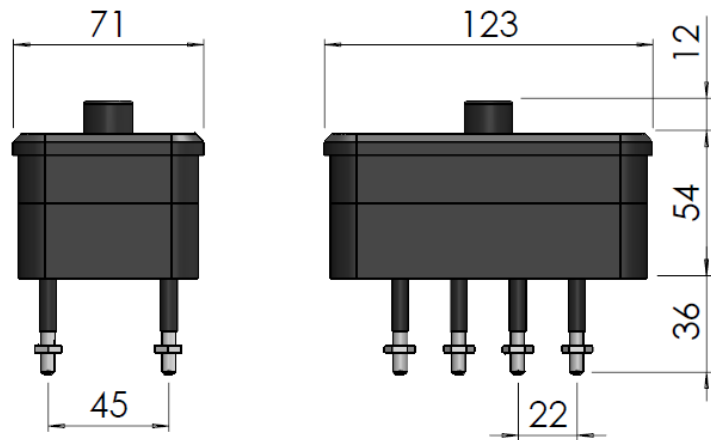


**PK-2 Test Block**



**APPLICATION**

For mounting on switchboard panels for use in conjunction with proper test equipment to facilitate the testing of ac instruments, meters and relays.

**FEATURES**

Type PK-2 test blocks are essentially 4-pole and 6-pole jacks, provided with moulded phenolic covers that have internal plug contacts, which make a through connection when the cover is in place. The contacts in the blocks are of the line - pressure type and provide positive contact with minimum contact resistance. For current circuits, auxiliary contacts are used which automatically short circuit the current transformer when the cover or plug is removed.

Routine testing can be accomplished simply by removing the cover and substituting the properly connected test plug; normal connections are restored by replacing the cover Contact rating is 250 volts, 10 amperes continuously.

A hole in cover allows for securing against unauthorized use.

Included with each test block is a kit which includes:

- 1) Mounting screws and nuts, Mild Steel – Zinc Plated
- 2) Connection nuts and washers, Brass – Nickel Plated
- 3) Auxiliary links, contacts, jumpers and fixing screws, Brass – Silver Plated

ALL ELECTRO PLATING 0.005 – 0.008mm

|                          |
|--------------------------|
| Enclosures               |
| Hinges                   |
| Locks                    |
| Handles                  |
| Accessories              |
| Rotary Operating Handles |
| Insulators               |
| Transformer Equipment    |