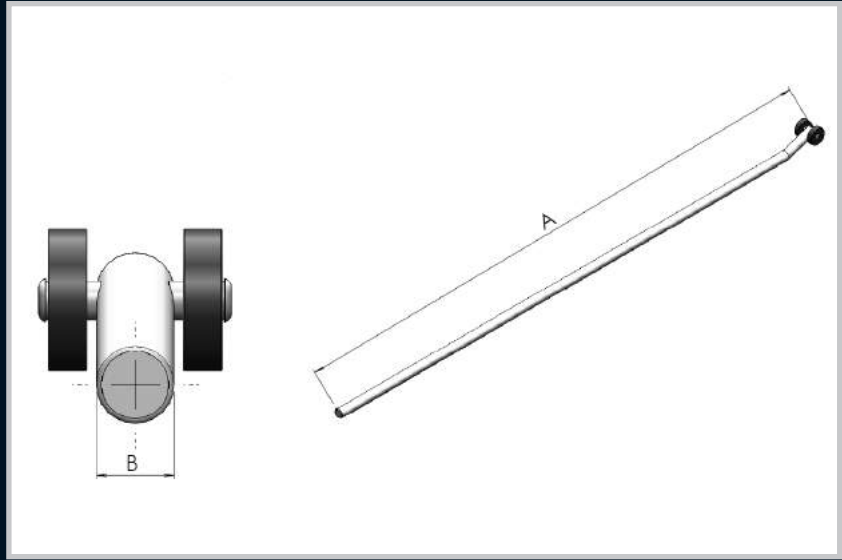


Locking Rods with Rollers



Remarks:
8mm Mild steel, 8mm 316 Grade stainless steel. Available with Nylon or steel wheels. Refer to page 137 for compatible cams.



Part Number	Description	Material and Finish
1010130R/ROD	Rod only 200mm with rollers	Mild Steel
1010131R/ROD	Rod only 320mm with rollers	Mild Steel
1010132R/ROD	Rod only 450mm with rollers	Mild Steel
1010133R/ROD	Rod only 520mm with rollers	Mild Steel
1010134R/ROD	Rod only 720mm with rollers	Mild Steel
1010135R/ROD	Rod only 1 000mm with rollers	Mild Steel
1010135R/1200	Rod only 1 200mm with rollers	Mild Steel
1010135R/1200SW	Rod only 1 200mm with rollers with stainless steel wheels	Mild Steel
1010135RS/S1200	Stainless steel rod 1 200mm with rollers	Stainless Steel
1010136R/ROD	Rod only 1 300mm with rollers	Mild Steel
1010136R/SW	Rod only 1 300mm with rollers with stainless steel wheels	Mild Steel
1010136RS/S	Stainless steel rod 1 300mm with rollers	Stainless Steel

Enclosures

Hinges

Locks

Handles

Accessories

Rotary Operating Handles

Insulators

Transformer Equipment

Index