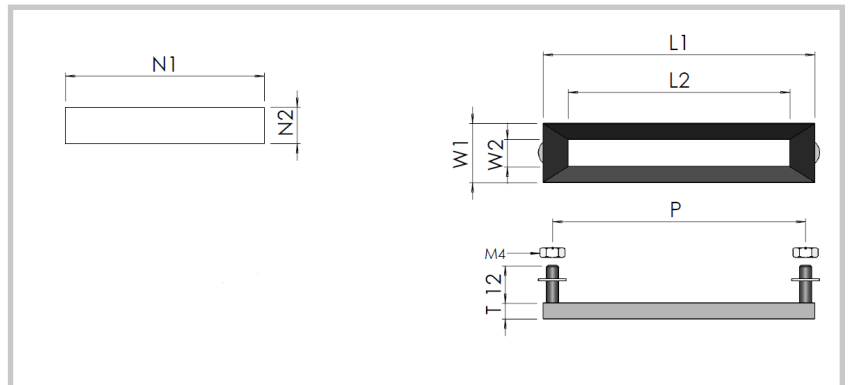
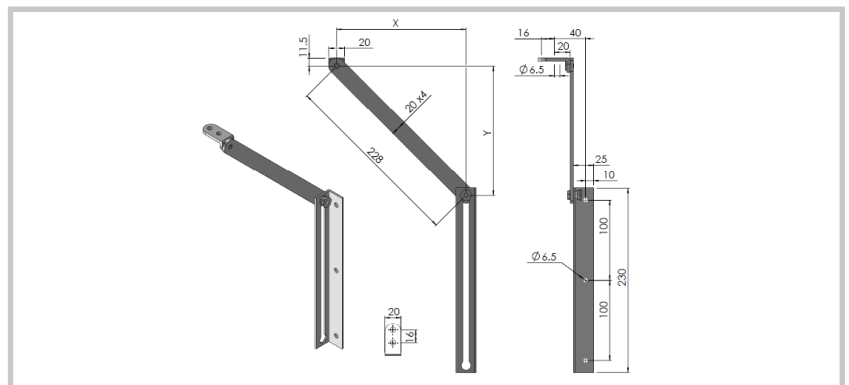


Label Holders

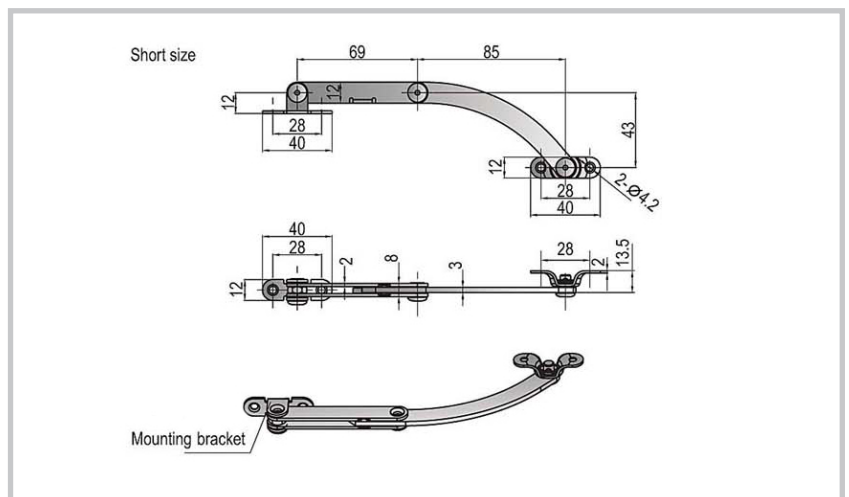


| Part Number | Description | L1 | P | L2 | W1 | W2 | N1 | N2 | T | D1 |
|-------------|-------------|-----|-----|-----|----|-----|-----|------|-----|----|
| 222610 | ZDC Black | 138 | 132 | 119 | 31 | 19 | 125 | 25 | 5.5 | M4 |
| 222610S | ZDC Black | 88 | 82 | 71 | 19 | 8.5 | 76 | 12.5 | 7 | M4 |

Heavy Duty Cover Stay



| Part Number | Description |
|-------------|-----------------|
| DS180M/S | Mild steel |
| DS180S/S | Stainless Steel |



| Part Number | Description |
|-------------|-------------|
| DSS90M/S | Mild Steel |