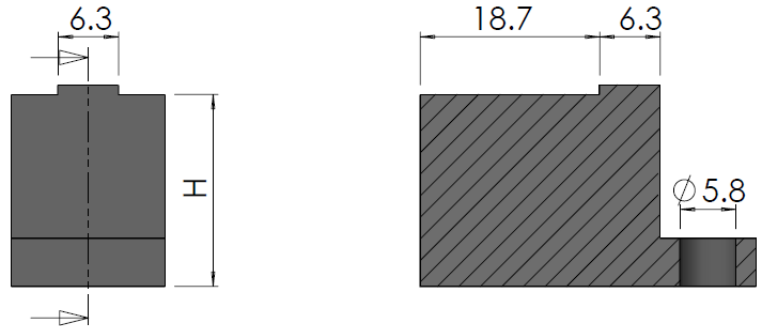
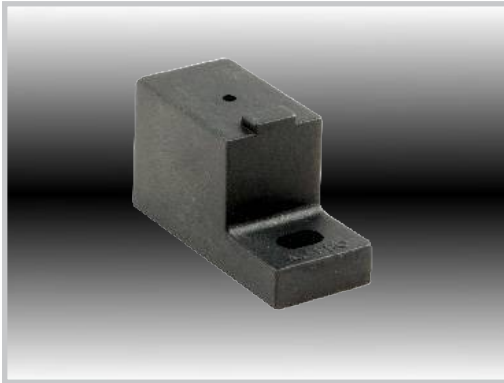
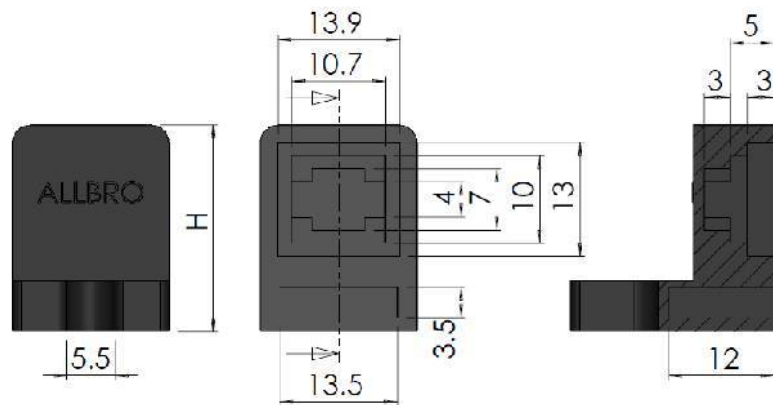


**Insulator Support**



**Remarks:**  
Available as optional.  
Recommended as an optional for SE neutral bar series.

Part Number	Description	H (mm)
020-271	Type T5 Support Insulator	24

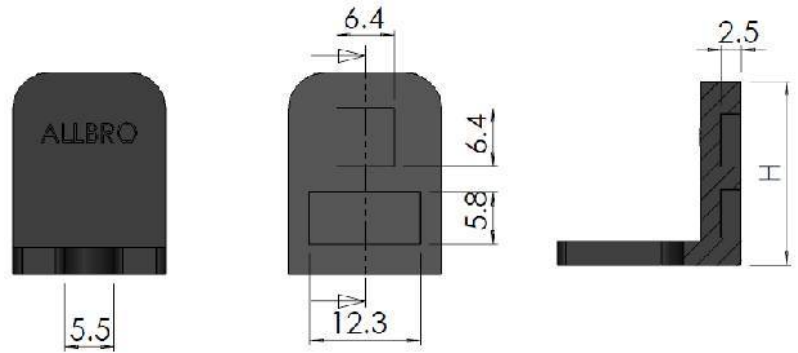


Part Number	Description	H (mm)
302500	Type T3 Support Insulator	24

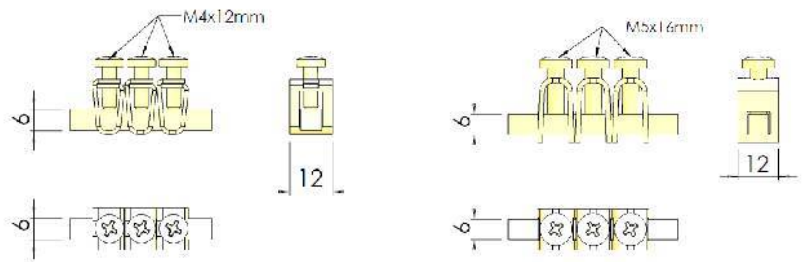
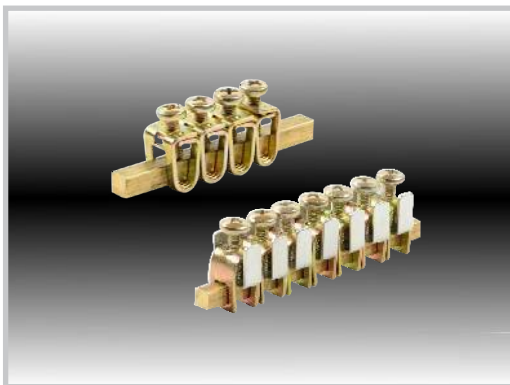
Enclosures
Hinges
Locks
Handles
Accessories
Rotary Operating Handles
Insulators
Transformer Equipment
Index

Enclosures  
Hinges  
Locks  
Handles  
Accessories  
Rotary Operating Handles  
Insulators  
Transformer Equipment  
Index

**Insulator Support**

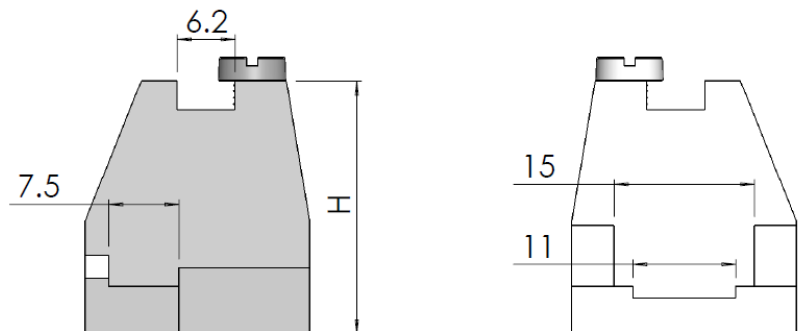


PART NUMBER	DESCRIPTION	H (mm)
020-254	Type T1 Support Insulator	23
020-255	Type T2 Support Insulator	30



**Remarks:**  
Recommend supports T1 and T2.

PART NUMBER	DESCRIPTION
010-061	16mm Fitsalls
011-028	25mm Saddles



PART NUMBER	DESCRIPTION	H (mm)
020-268	Type T4 Support Insulator	27