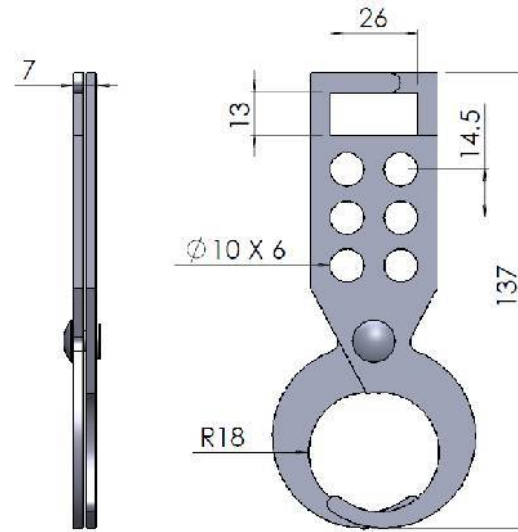


Enclosures  
Hinges  
Locks  
Handles  
Accessories  
Rotary Operating Handles  
Insulators  
Transformer Equipment  
Index

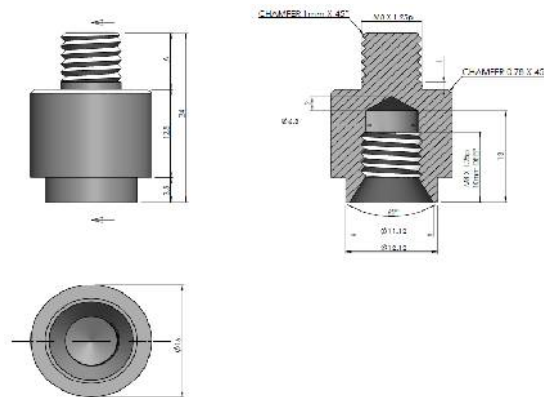
**Safety Lock Out Calipar**



**Remarks:**  
This product is used in conjunction with our rotary operating handle range for MCB's & ELCB'S and an additional safety feature. It can facilitate 6 padlocks with a maximum of 8mm diameter shank. This item is recommended and accepted by NOSA.

| Part Number | Description        |
|-------------|--------------------|
| 082-001     | Natural Mild Steel |

**Chassis Studs**



| Part Number | Description |
|-------------|-------------|
| 020-087     | M8-8MM M/S  |
| 020-088     | M8-8MM S/S  |
| 020-089     | M8-12MM M/S |
| 020-090     | M8-12MM S/S |